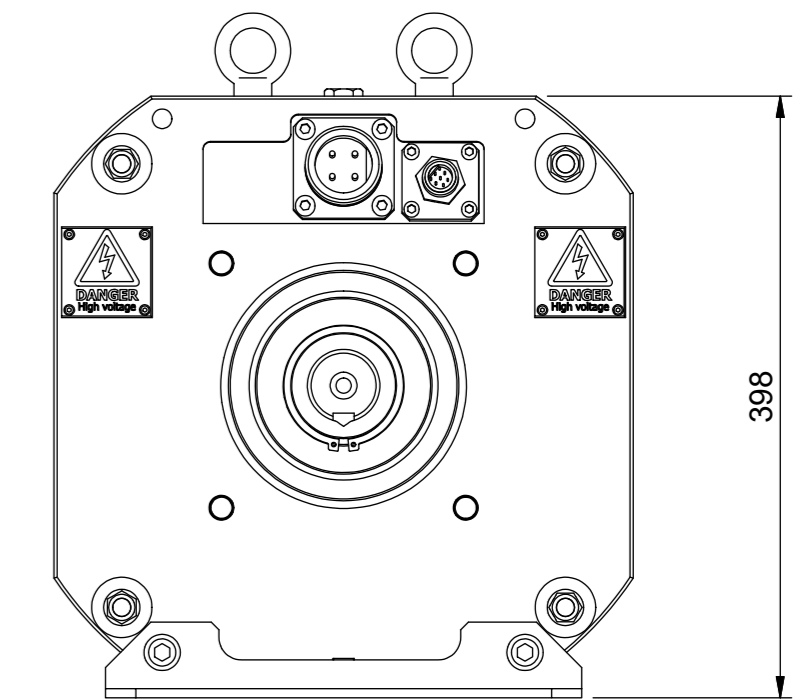
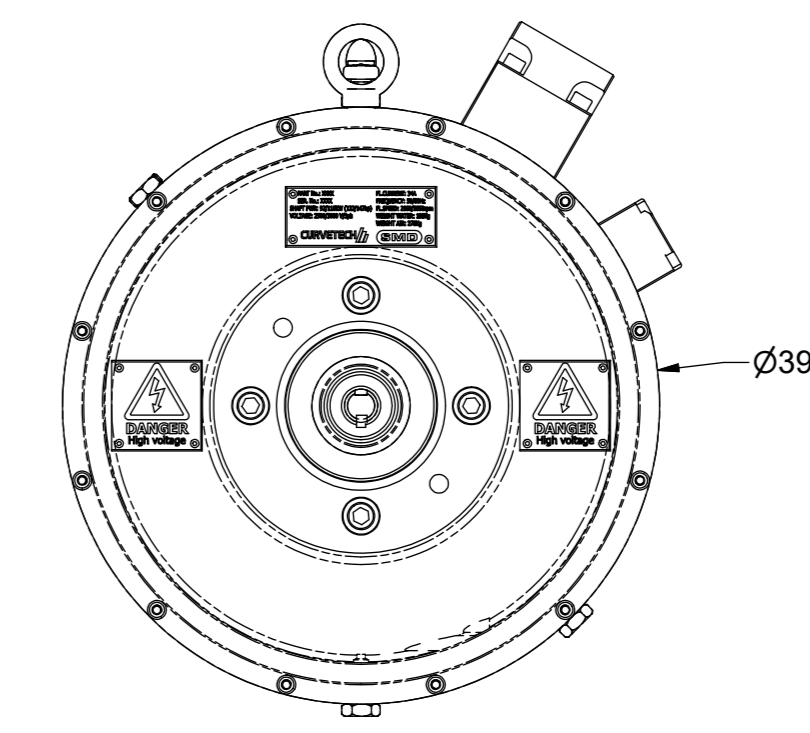
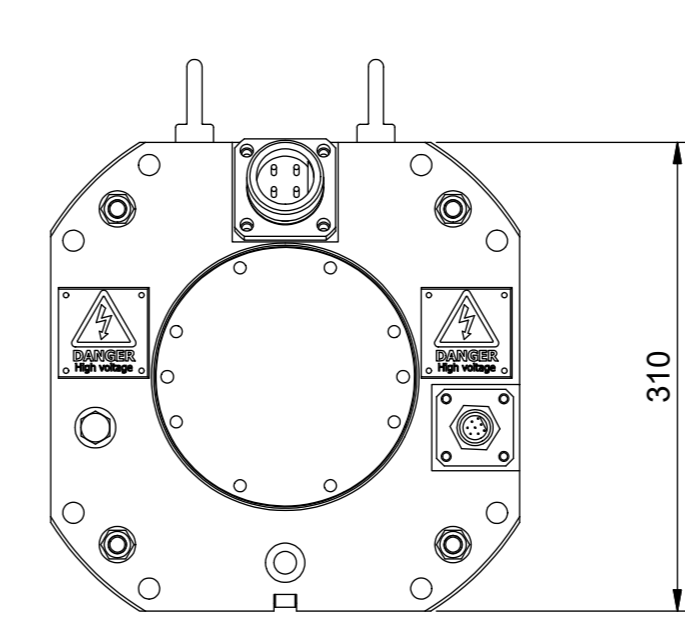
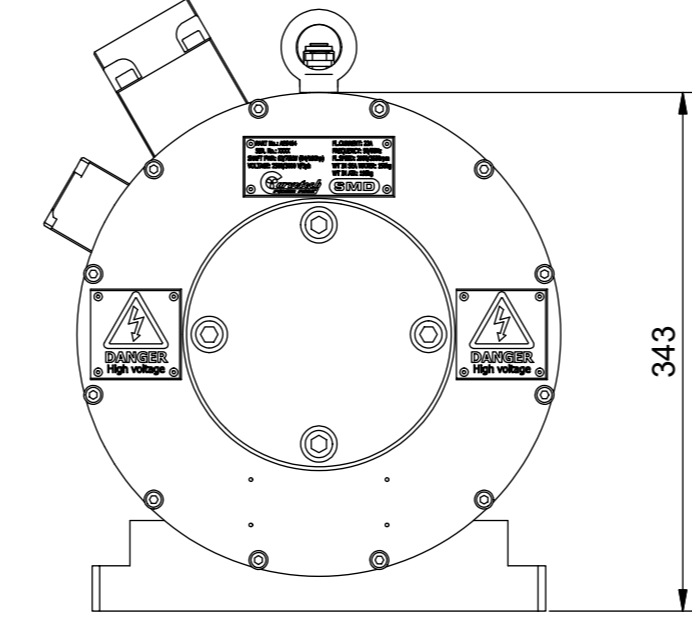
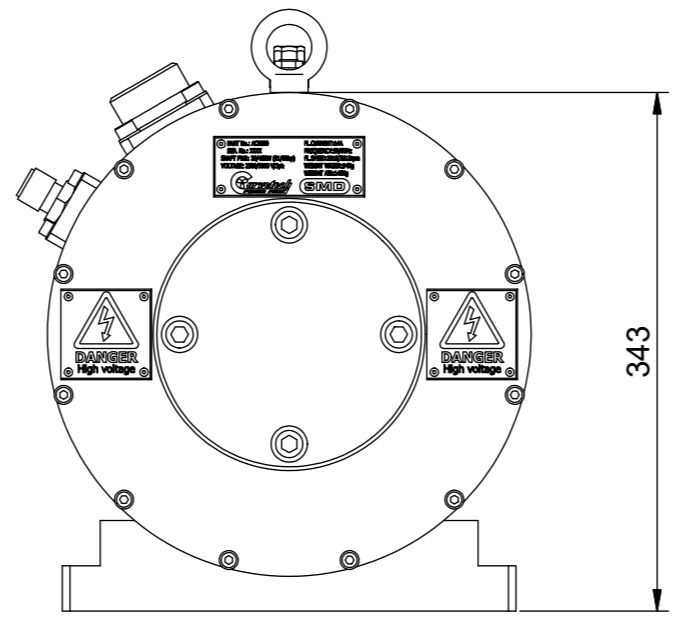
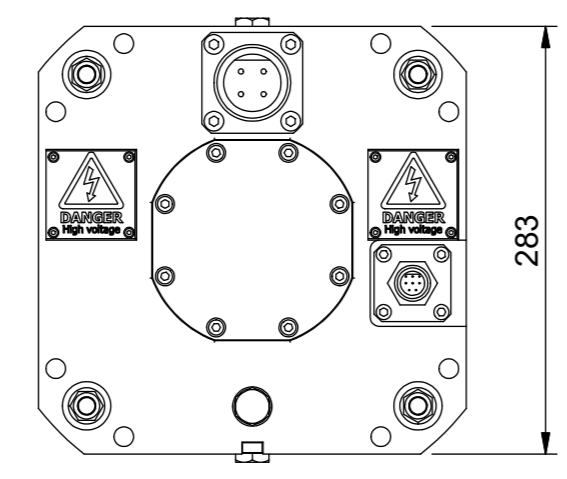
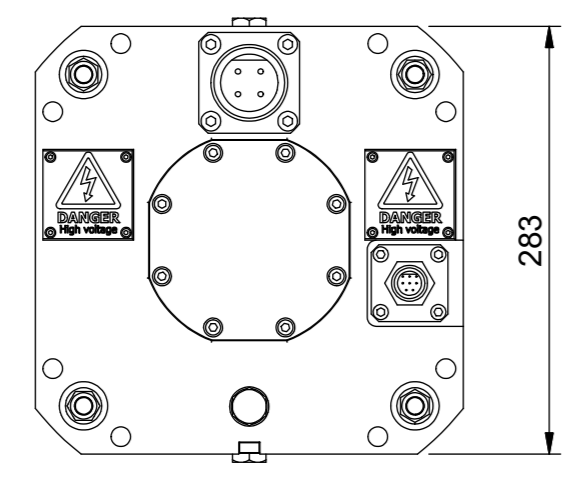
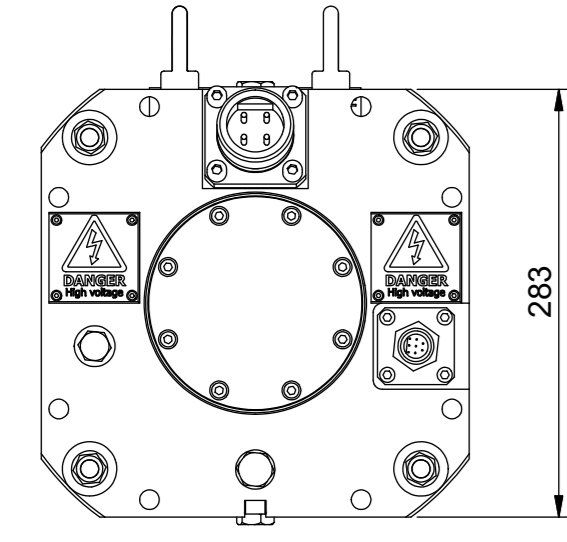
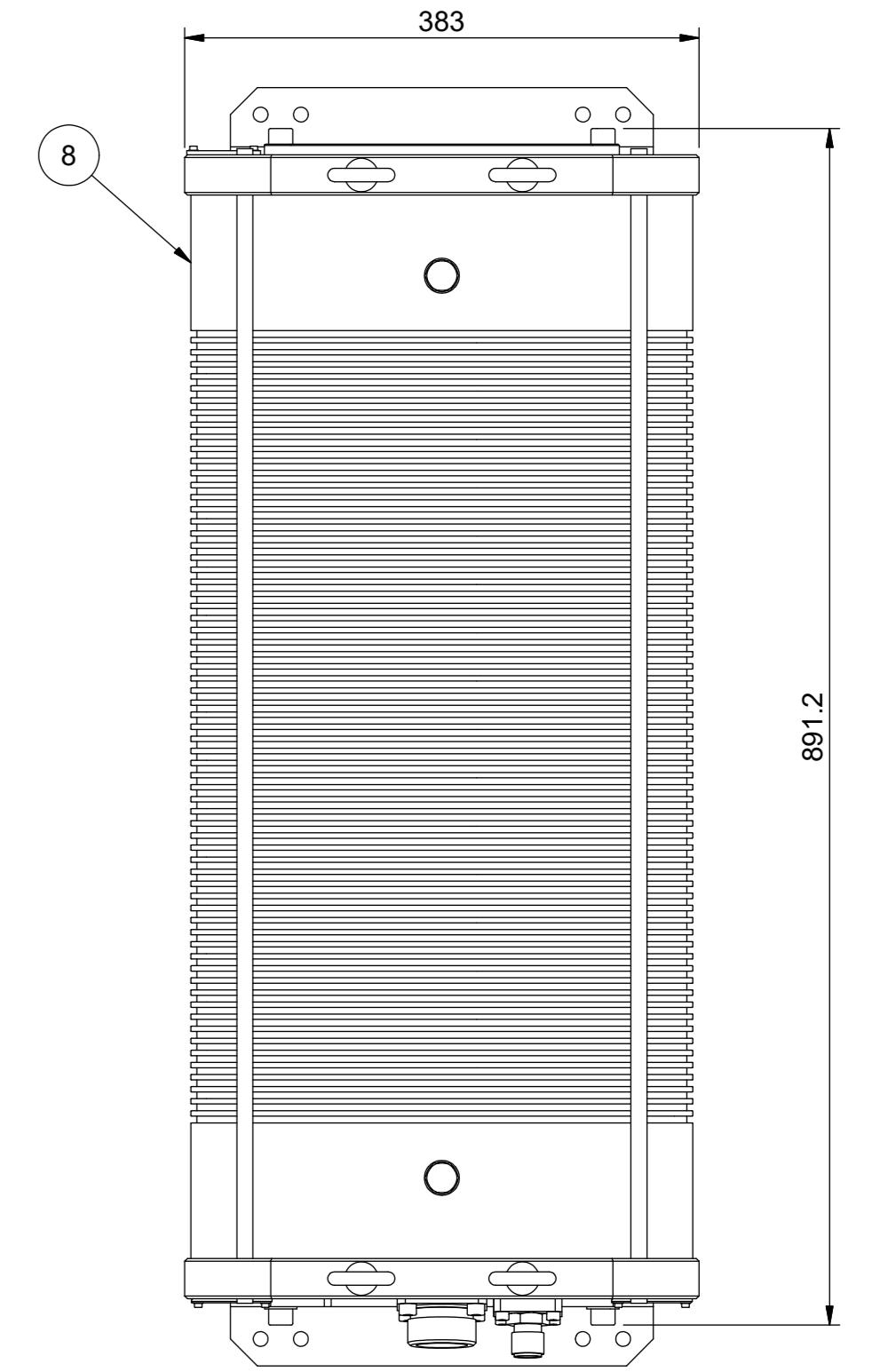
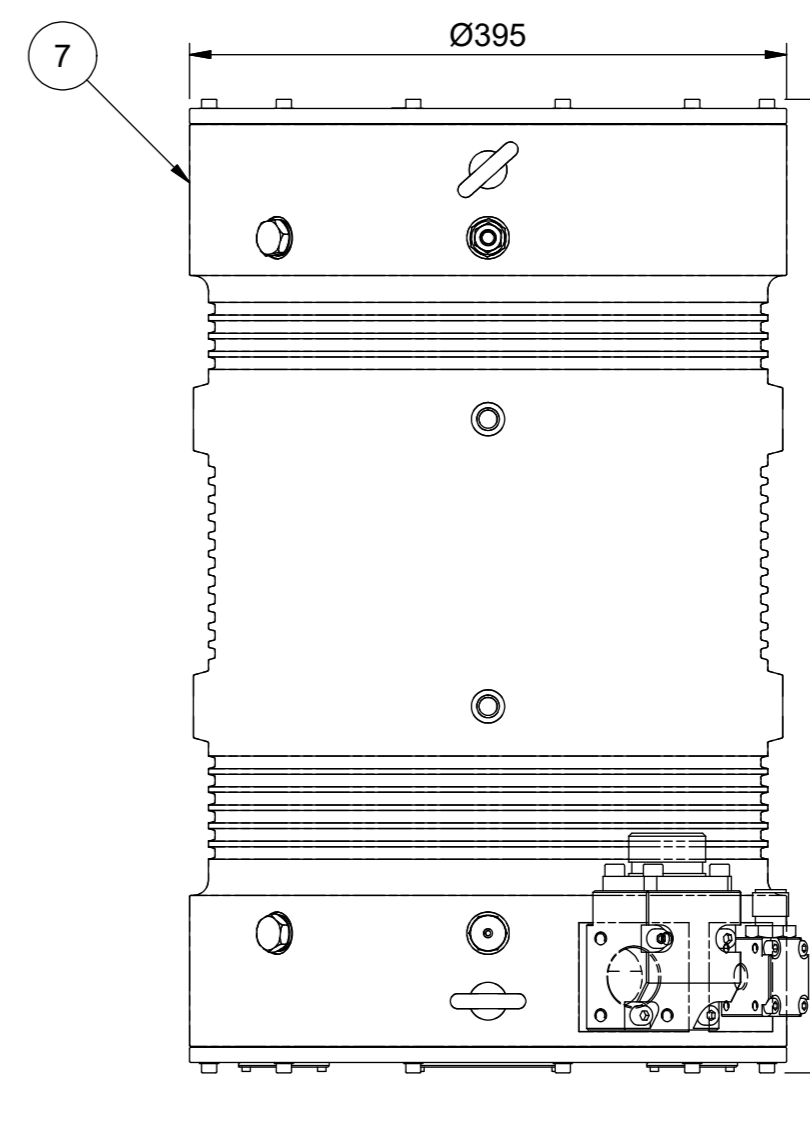
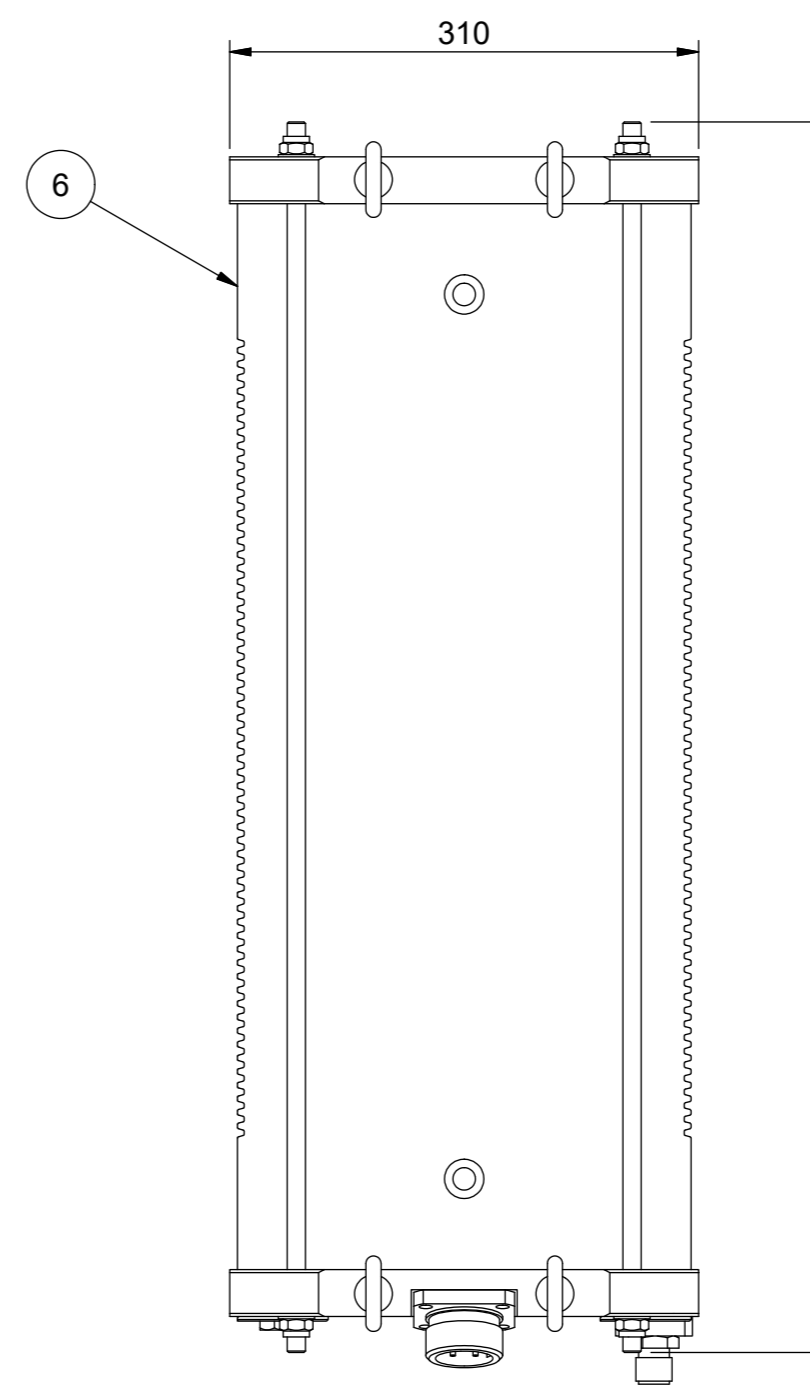
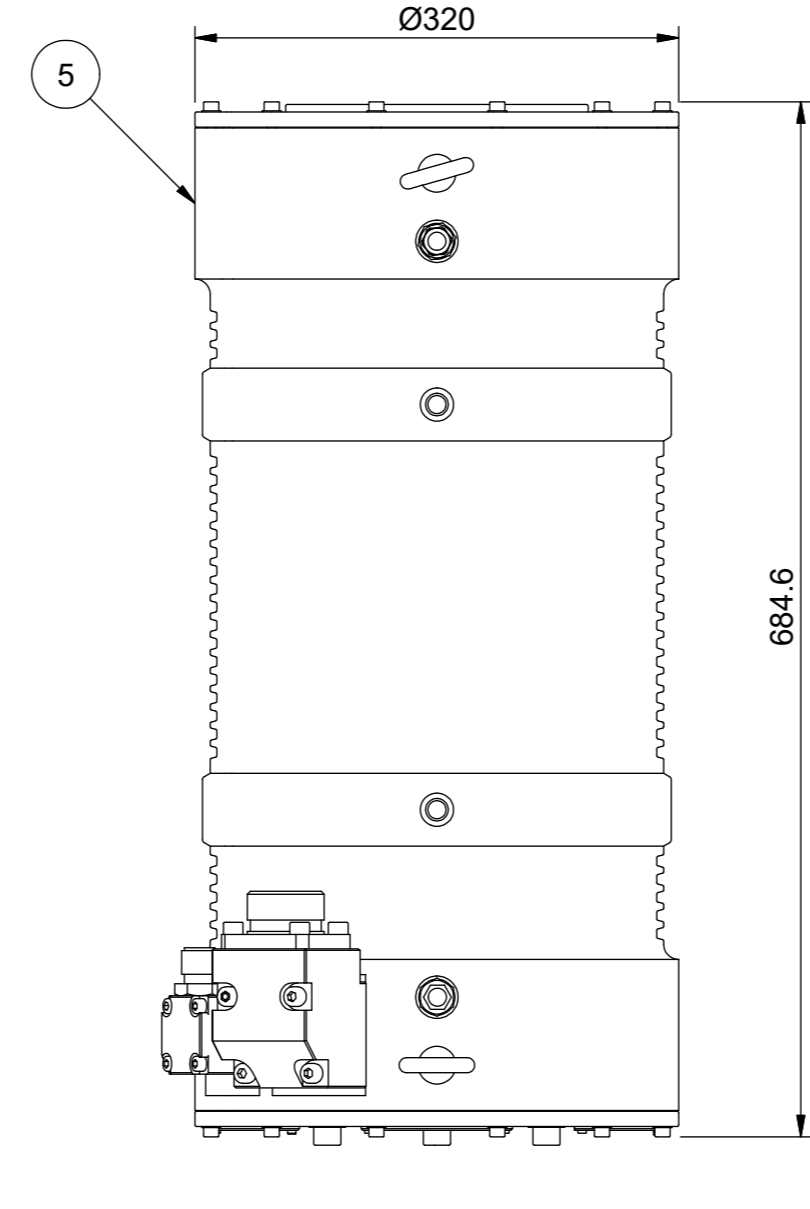
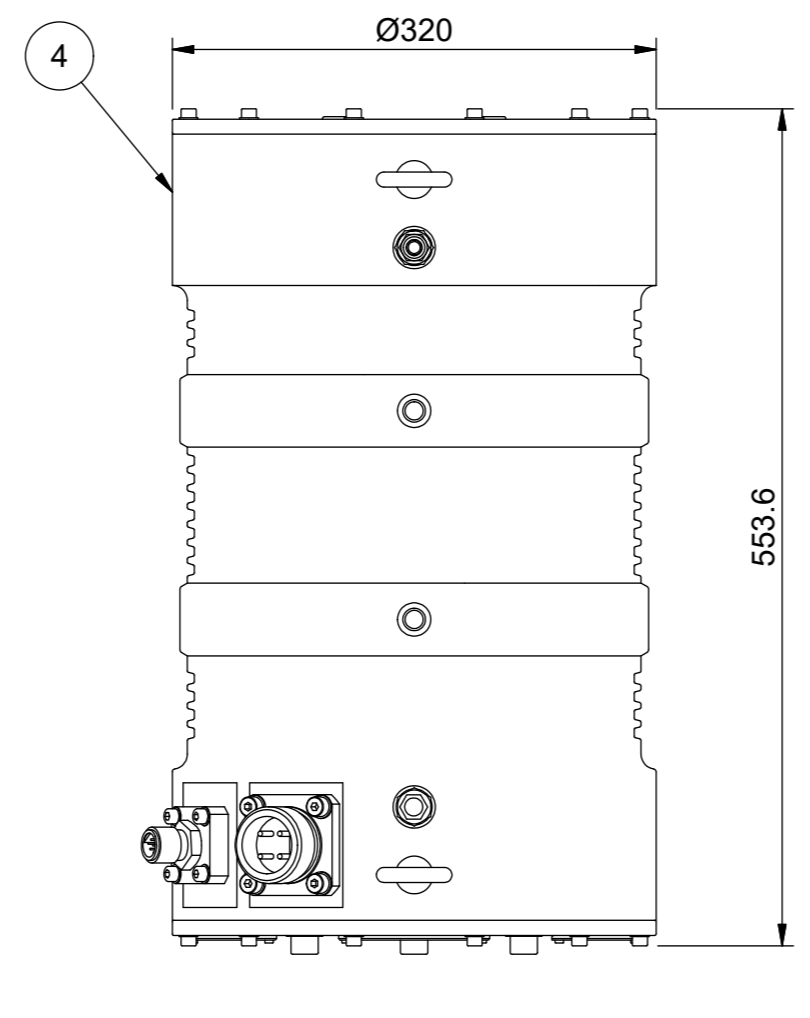
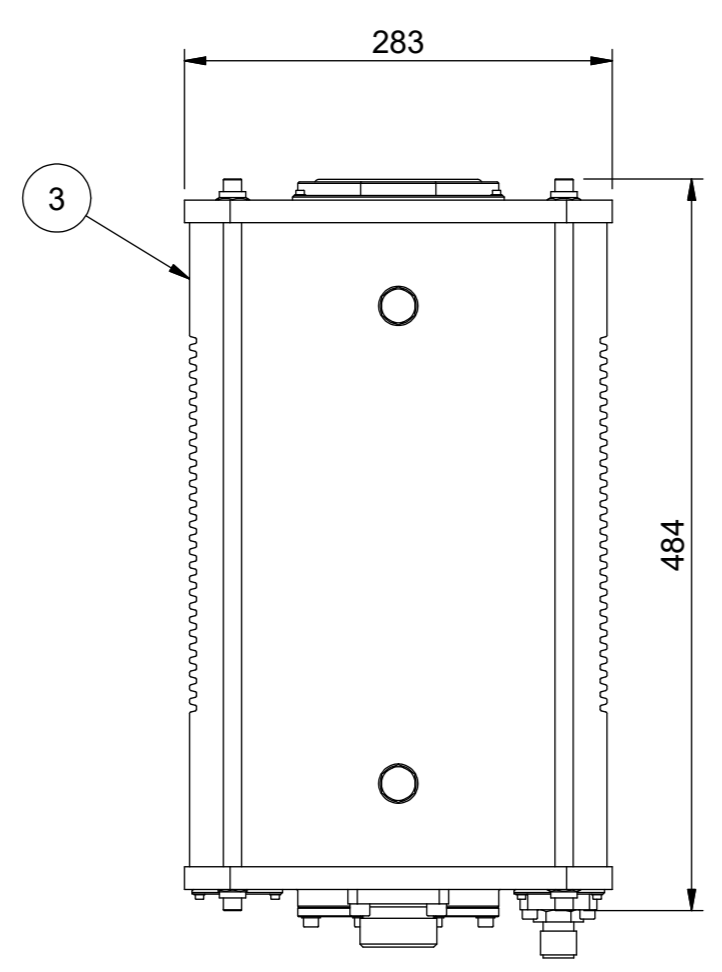
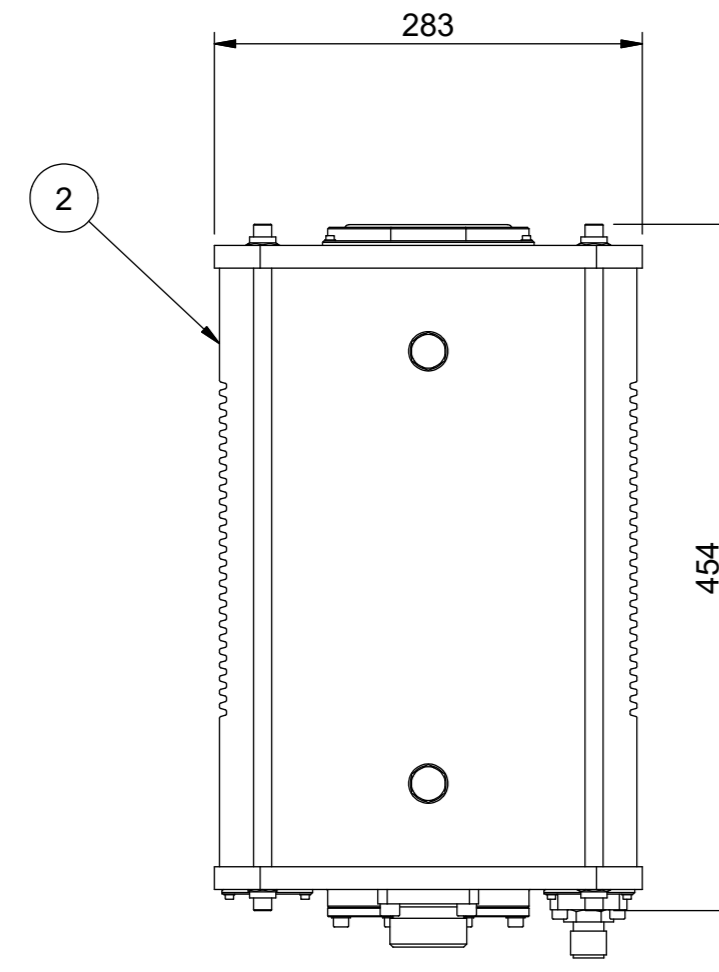
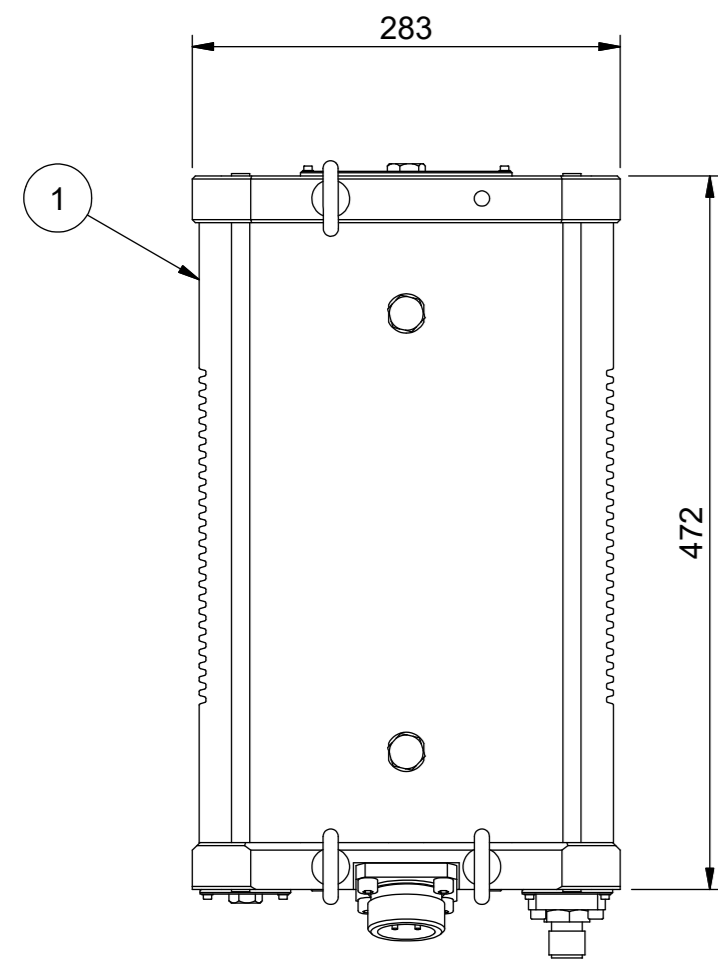


PARTS LIST				
ITEM	QTY	PART No	DESCRIPTION	
1	1	AF0062	ASSEMBLY MOTOR 11.5HP 8.5KW, BURTON CONNECTOR	
2	1	AJ3256	ASSEMBLY MOTOR 15kW (20hp) 3000V 4-POLE BURTON	
3	1	AJ3029	ASSEMBLY MOTOR 22kW (30hp) 3000V 4-POLE BURTON	
4	1	AJ9867	ASSEMBLY HPU 45kW; 3000V; 60Hz; 2POLE; BURTON	
5	1	AJ9869	ASSEMBLY HPU 75kW 2 POLE - BURTON	
6	1	AG9602	ASSEMBLY HPU MOTOR	
7	1	AJ9871	ASSEMBLY 110kW HPU 2-POLE- BURTON	
8	1	AJ2139	ASSEMBLY MOTOR 250HP 3000V 4P	



8.5kW

15kW

22kW

45kW

75kW

93kW

110kW

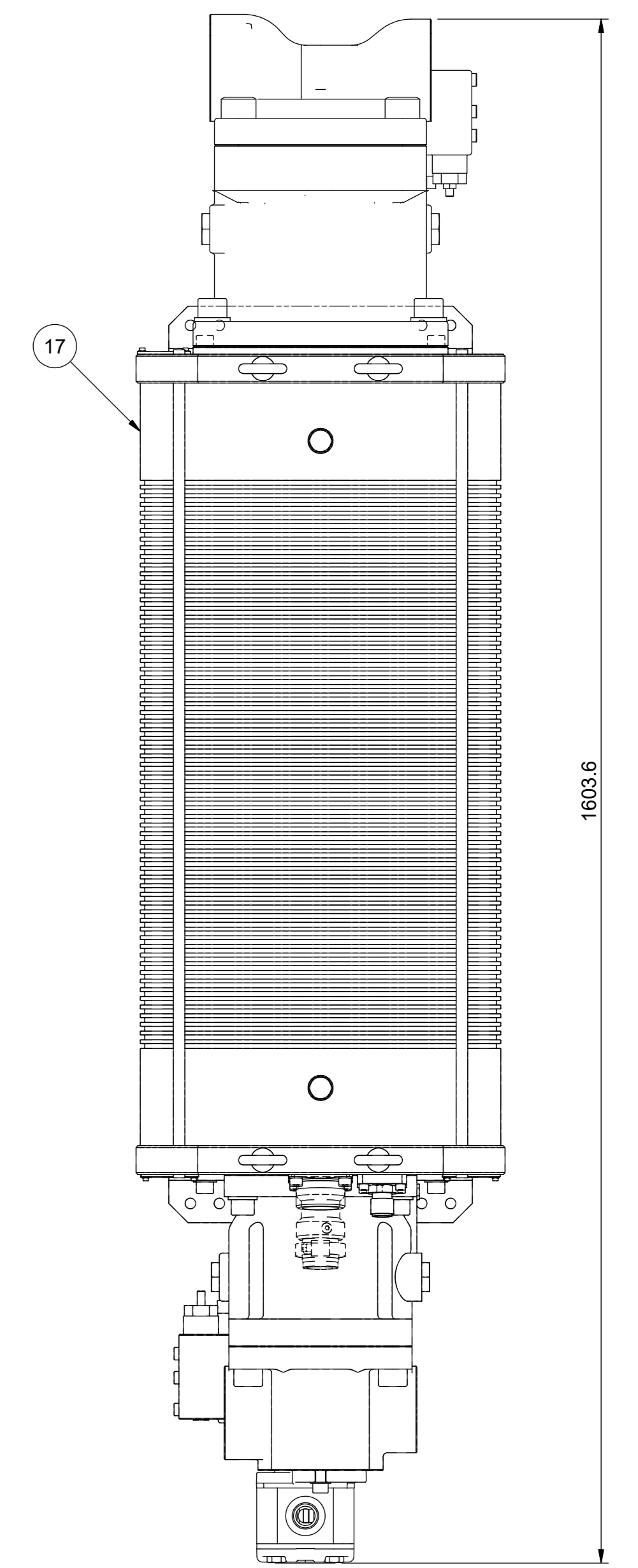
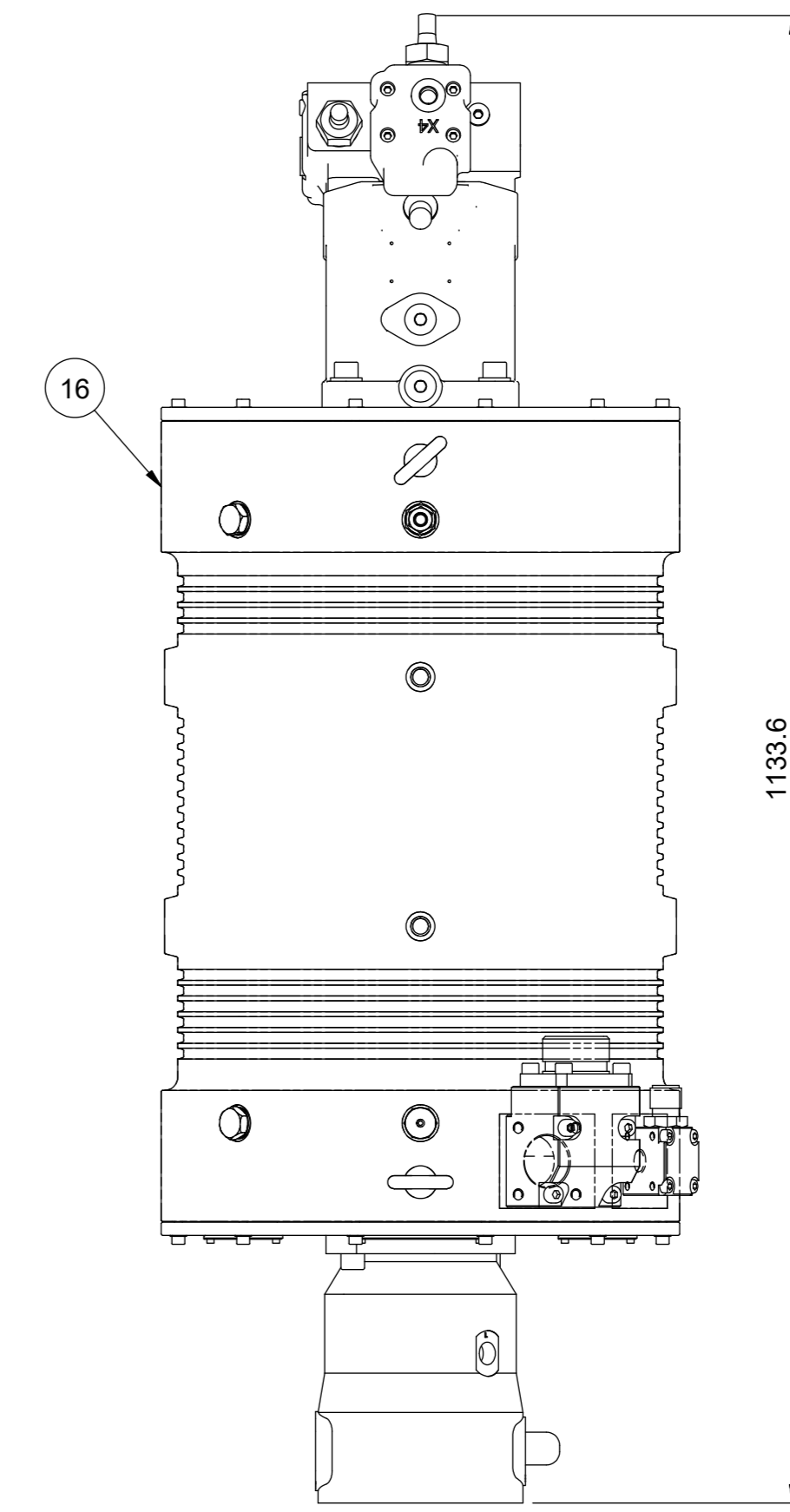
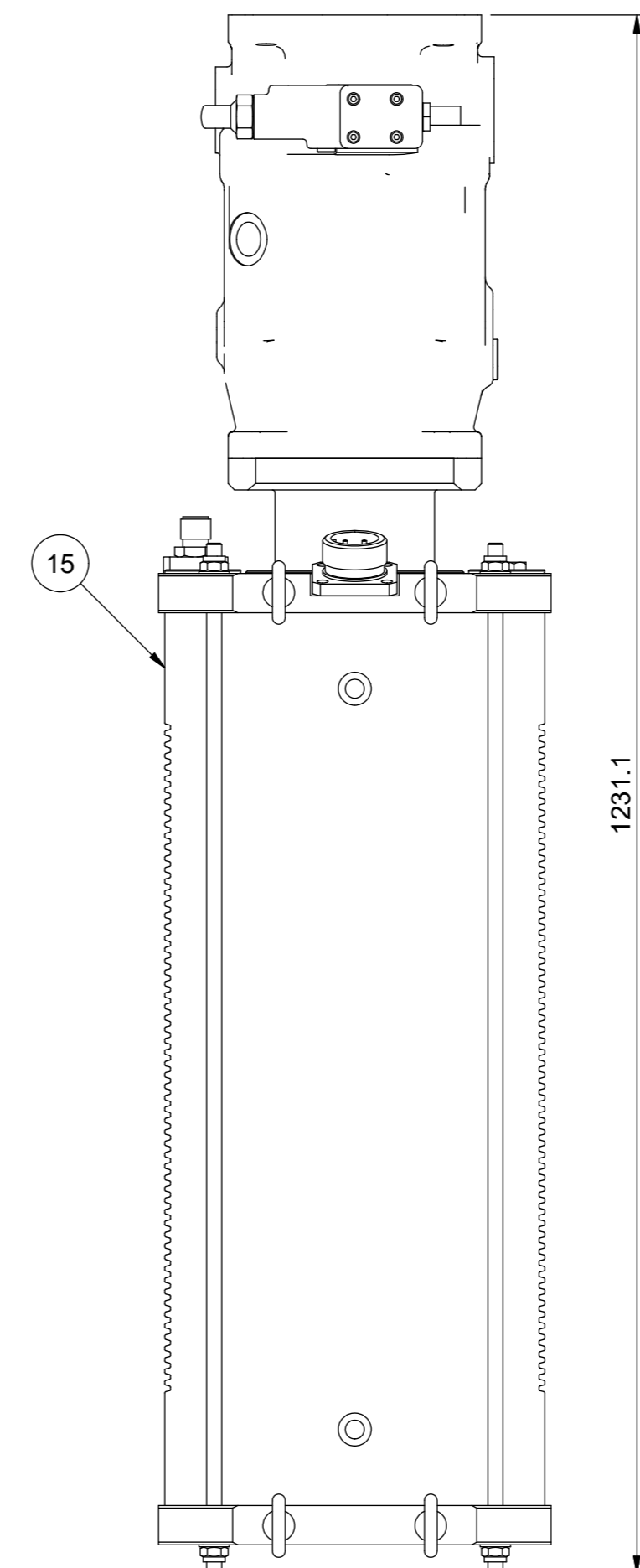
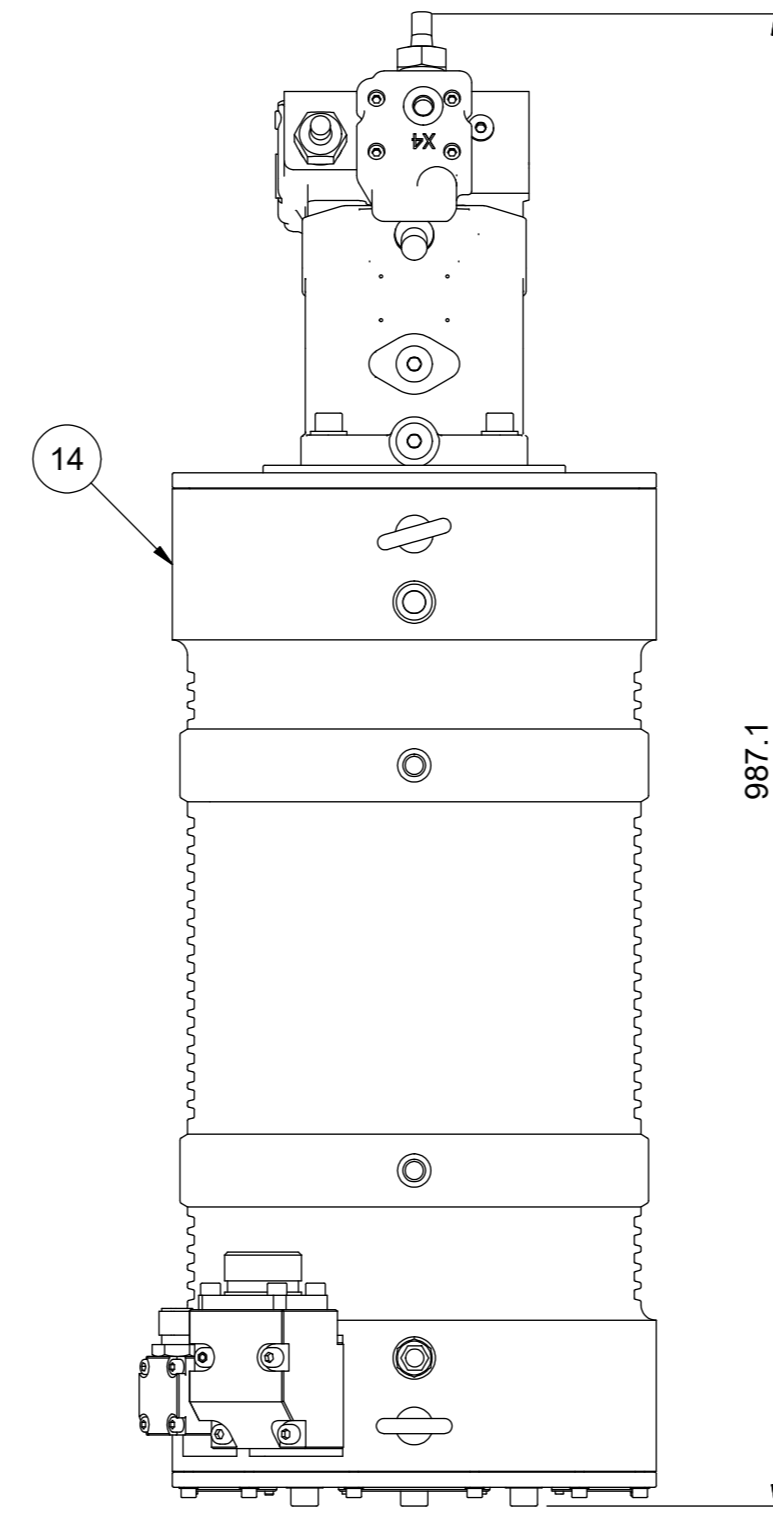
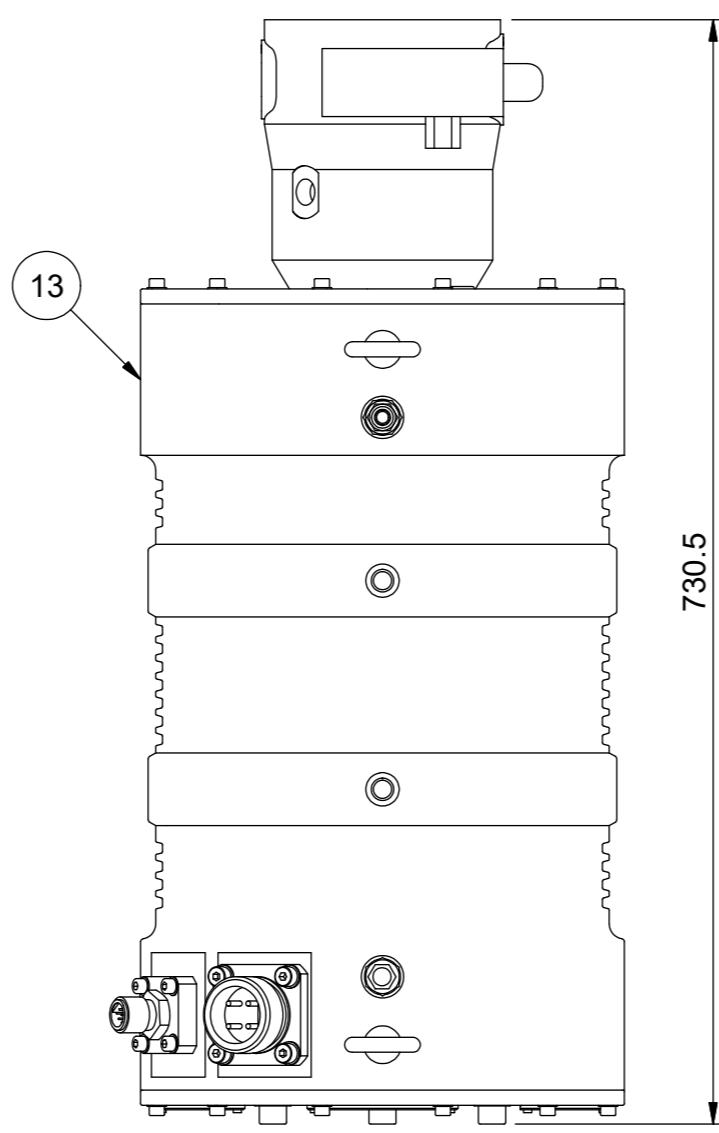
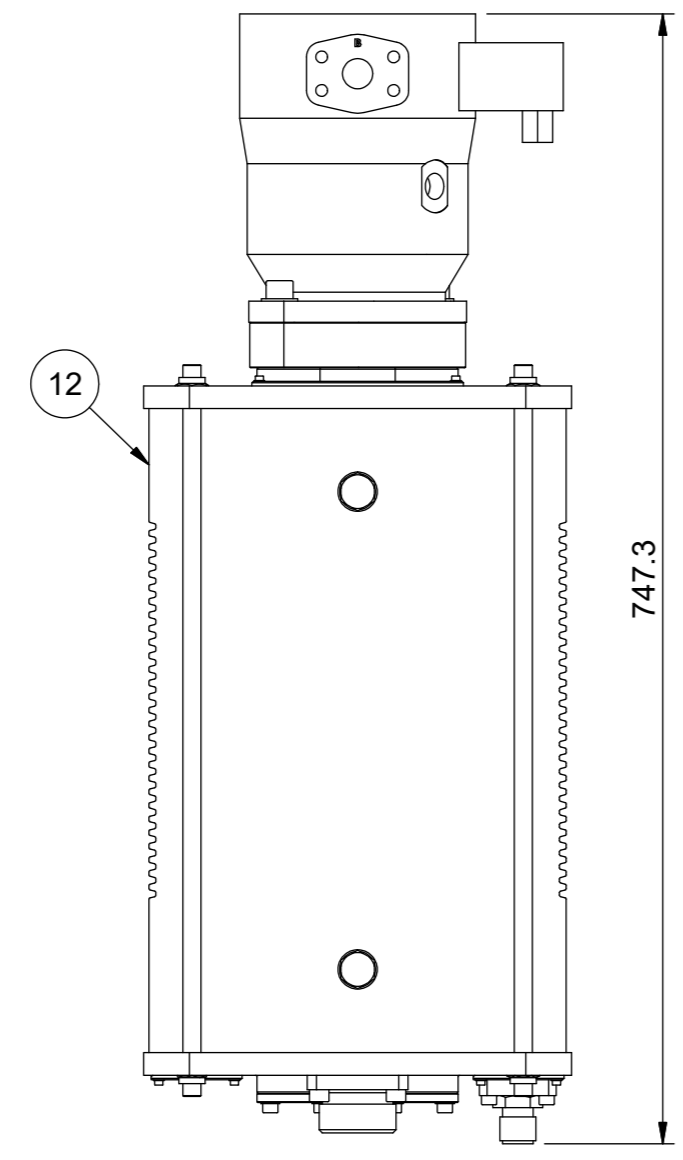
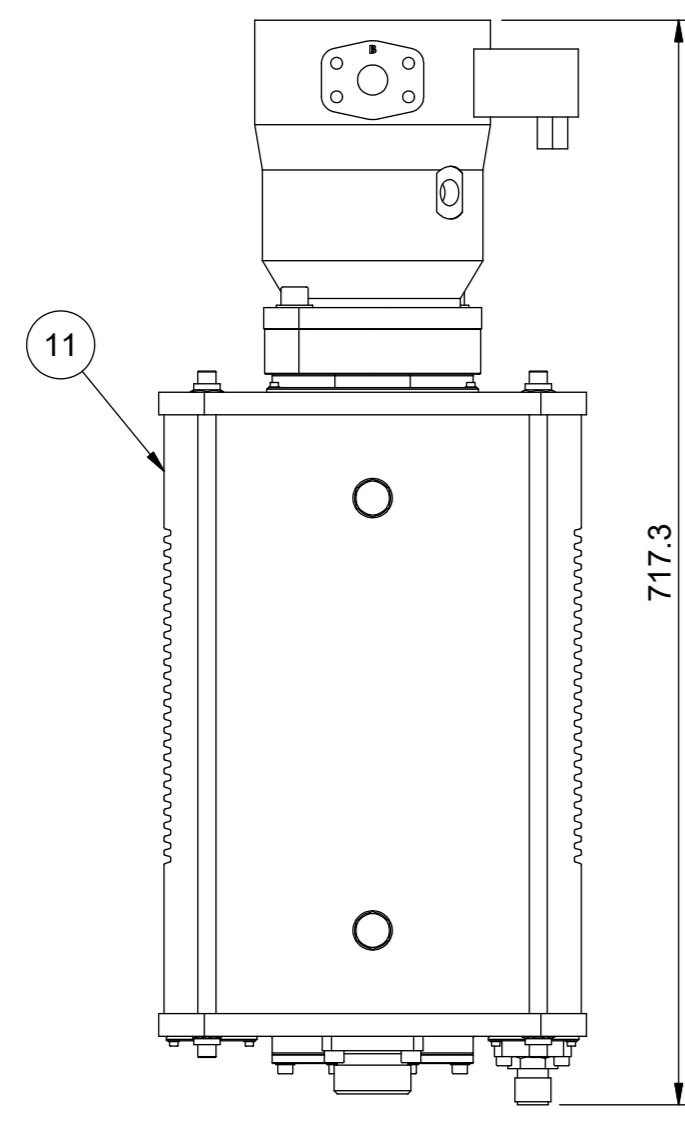
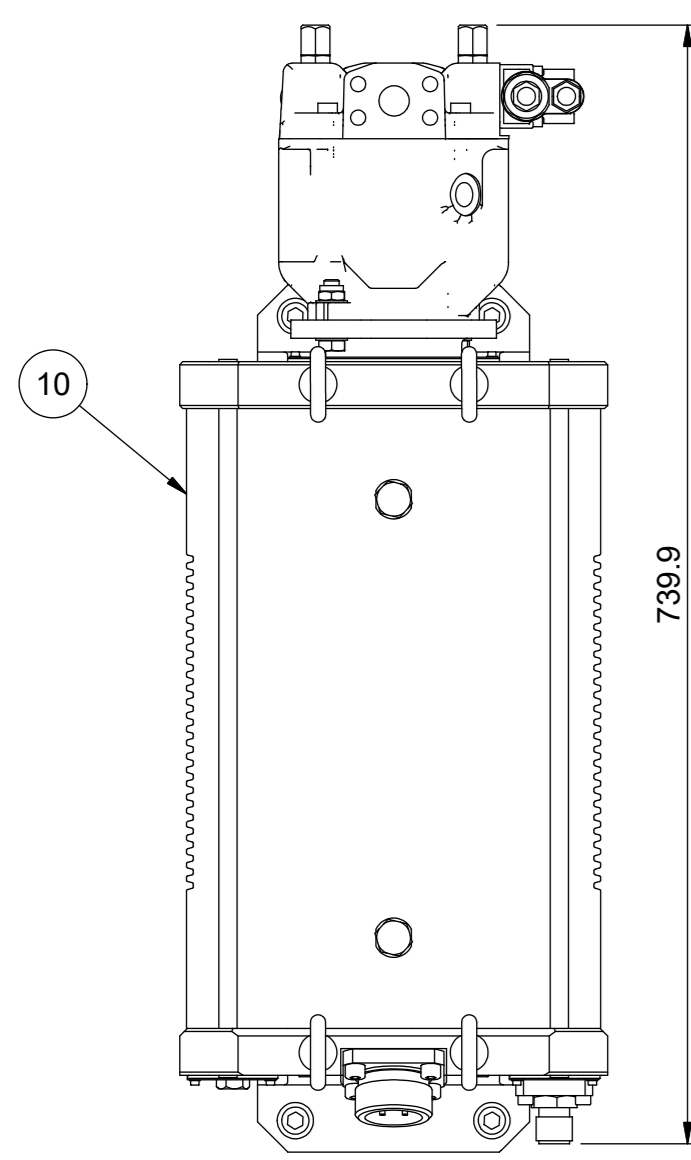
188kW

### SUMMARY - CURVETECH SUBSEA MOTOR RANGE

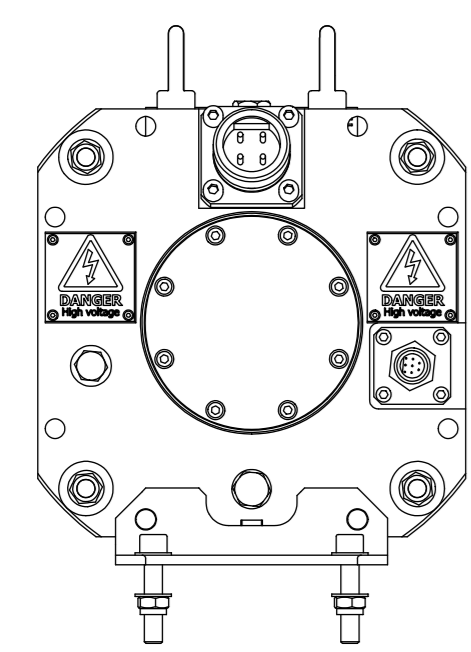
ITEM	AF0062	AJ3256	AJ3029	AJ9867	AJ9869	AG9602	AJ9871	AJ2139	OTHER	
POWER	8.5kW	15kW	22kW	45kW	75kW	93kW	110kW	188kW		
POLES	4 POLE	4 POLE	4 POLE	2 POLE	2 POLE	4 POLE	2 POLE	4 POLE		
WEIGHTS / (PUMPS) - AIR POWER TO WEIGHT (kW / kg)	80kg / (12kg) 0.09	88kg / (15kg) 0.15	95kg / (15kg) 0.2	131kg / (15kg) 0.31	176kg / (25kg) 0.37	220kg / (60kg) 0.33	238kg / (40kg) 0.4	386kg / (165kg) 0.27		
PUMPS / ENDS										
STD PUMP1 & END TYPE	CAPPED	CAPPED	CAPPED	CAPPED	CAPPED	CAPPED	LINDE 28cc MPR28-01 / OPEN	KAWASAKI 140cc + COOLING PUMP / OPEN		
STD PUMP2 & END TYPE	REXROTH A10VSO OPEN END	LINDE 28cc, MPR28-01 OPEN	LINDE 28cc, MPR28-01 OPEN	LINDE 28cc, MPR28-01 OPEN	REXROTH A7VO 55DRS OPEN	REXROTH A10VSO - 140cc OPEN	REXROTH A7VO - 55cc / OPEN	KAWASAKI 200cc OPEN		
CONNECTOR	BURTON	BURTON	BURTON	N/A	N/A	BURTON	N/A	N/A		
SMD USE	STD TMS & EXT. TMS	ULX TMS	N/A	OLD QUASAR'S	ATOM	QUASAR	QUASAR MKII	QUANTUM III	TRENCHING VEHICLES	
SIMILAR kW MOTORS 1	AG2107 - SEACON AB1857 - IMPULSE PP 11.5-1064; PP 11.5-3064; PP 11.5-3064-SCV		AD8189 PP 30-1052	PP 047-2562 PP 050-2562	PP75-3054 PP75-3062 PP75-3064 PP75-3064-SCRPP75-3064-SCV	AH8081 PP 100-2464 PP 100-3052 PP 100-3054 PP 100-3062 PP 100-3064 PP 100-3064-SCV	PP 125-2462 PP 125-3062 PP 125-3064 PP 125-3064-SCV	PP 150-3064 PP 150-3064 PP 150-3064 SWB PP 150-3064 SS	PP 200-3064 PP 200-3064-SS	300kW - AH2874 400kW - AH8703
DESIGN NOTES				BASED ON AE7428	BASED ON AE6488		BASED ON AE5690			

REV	DATE	CHANGE COMMENT	ZONE	DRAWN	CHECKED	APPD	DATE	EST. MASS	DIMENSIONS	SCALE	PROJECTION 3RD	TITLE	
	18/10/16							N/A	mm	1:5	3RD	ASSEMBLY CURVETECH MOTOR RANGE	
DESIGNED	MvZ	TOLERANCES UNLESS OTHERWISE STATED											
DRAWN	MvZ	DIMENSIONS mm UP TO 100 TO 100 TO OVER											
CHECKED	APPROVED	FABRICATION	±1.0	±1.5	±2.0	±3.0						DO NOT SCALE	
		MACHINED PART	±0.15	±0.4	±0.8	±1.0						IF IN DOUBT ASK	
<p>ALL INTELLECTUAL PROPERTY RIGHTS SUBSISTING IN THESE DESIGNS ARE THE PROPERTY OF SOIL MACHINE DYNAMICS LTD. NO COPY IS TO BE MADE WITHOUT THE WRITTEN PERMISSION OF SOIL MACHINE DYNAMICS LTD. ANY PATENT APPLICATIONS, PATENTS AND / OR DESIGN APPLICATIONS, REGISTERED DESIGNS, DESIGN RIGHTS OR COPYRIGHT ARISING FROM OR CONTAINED IN THE DESIGNS ARE THE PROPERTY OF SOIL MACHINE DYNAMICS LTD AND ALL INFORMATION MUST BE HELD IN THE STRICTEST CONFIDENCE.</p>													
<p><b>SMD</b> Soil Machine Dynamics Ltd</p>													
										DRAWING No	REV No.	SIZE	
										AJ9829	0	A0	
										SHEET 1 OF 2			

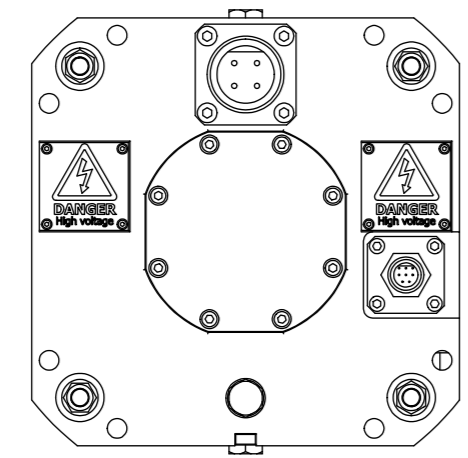
PARTS LIST				
ITEM	QTY	PART No	DESCRIPTION	
10	1	AF0035	ASSEMBLY POWER PACK 11.5HP 8.5KW	
11	1	AJ3255	ASSEMBLY HPU 15kW (20hp) 3000V 4-POLE BURTON	
12	1	AJ3030	ASSEMBLY HPU 22kW (30hp) 3000V 4-POLE BURTON	
13	1	AC8830	ASSEMBLY HPU 45kW 2 POLE - BURTON	
14	1	AE6464	ASSEMBLY HPU 75kW 2 POLE - BURTON	
15	1	AG9601	ASSEMBLY HPU 93kW (125HP) 4 POLE 60HZ BURTON	
16	1	AH9640	ASSEMBLY 110kW HPU 2-POLE- BURTON	
17	1	AJ2138	ASSEMBLY HPU 250hp SUBSEA - 140/200cc PUMPS	



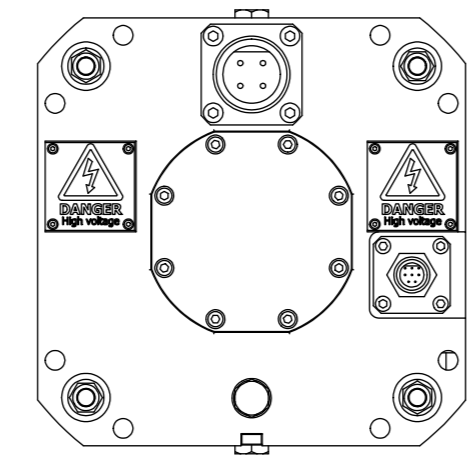
## STANDARD SUBSEA MOTOR AND PUMP CONFIGURATIONS



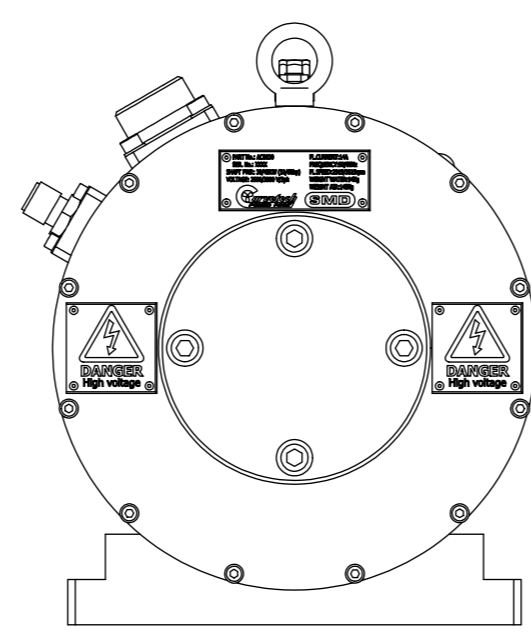
8.5kW



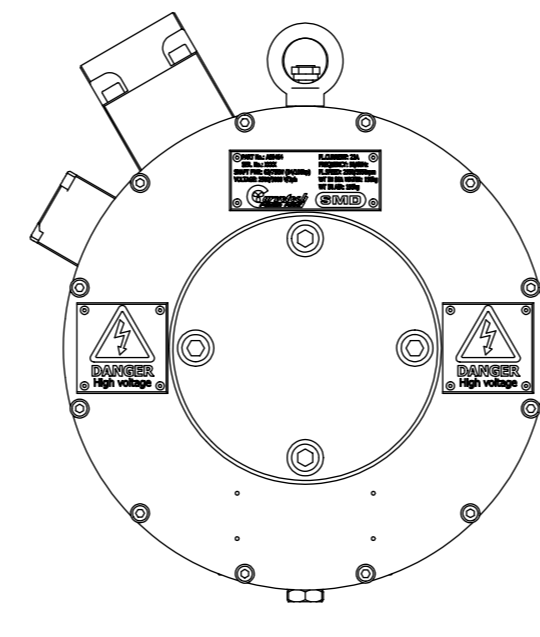
15kW



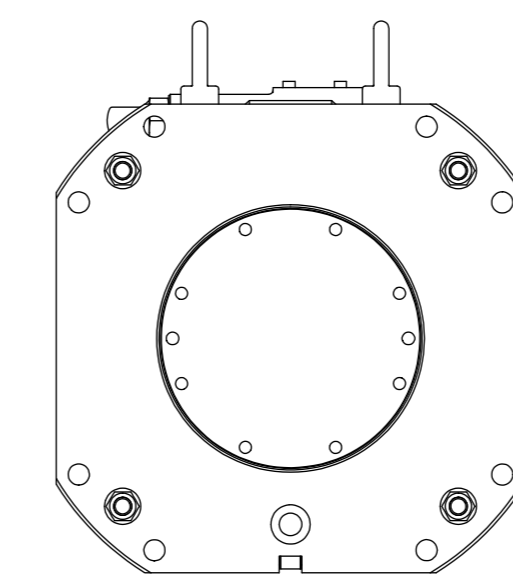
22kW



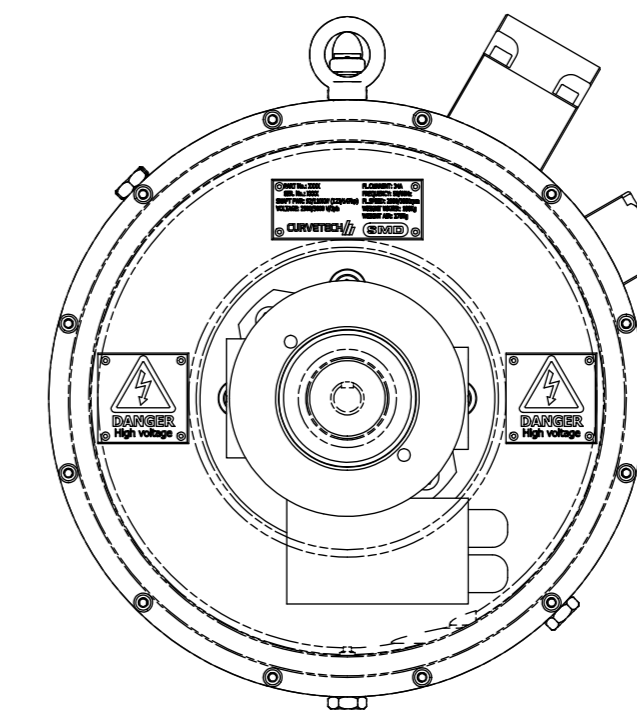
45kW



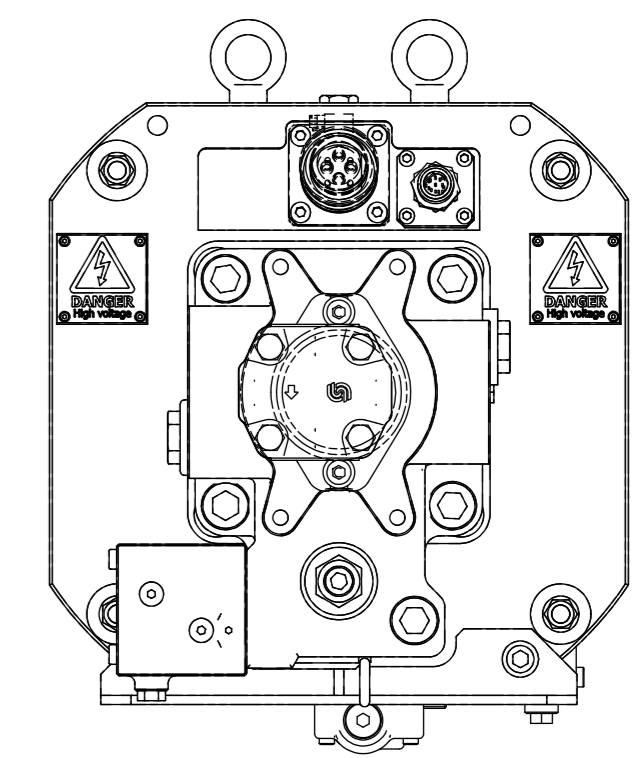
75kW



93kW



110kW



188kW

REV	DATE	CHANGE COMMENT	ZONE	DRAWN	CHECKED	APPD	DATE	EST. MASS	DIMENSIONS	SCALE	PROJECTION 3RD	TITLE			
							18/10/16	N/A	mm	1:5	3RD	ASSEMBLY CURVETECH MOTOR RANGE			
DESIGNED	MvZ	TOLERANCES UNLESS OTHERWISE STATED													
DRAWN	MvZ	UP TO 100 TO OVER													
CHECKED	APPROVED	FABRICATION	±1.0	±1.5	±2.0	±3.0	DO NOT SCALE		MATERIAL		DRAWING No	REV No.	SIZE		
		MACHINED PART	±0.15	±0.4	±0.8	±1.0	IF IN DOUBT ASK				AJ9829	0	A0		
<small>ALL INTELLECTUAL PROPERTY RIGHTS SUBSISTING IN THESE DESIGNS ARE THE PROPERTY OF SOIL MACHINE DYNAMICS LTD. NO COPY IS TO BE MADE WITHOUT THE WRITTEN PERMISSION OF SOIL MACHINE DYNAMICS LTD. ANY PATENT APPLICATIONS, PATENTS AND/OR DESIGN APPLICATIONS, REGISTERED DESIGNS, DESIGN RIGHTS OR COPYRIGHT ARISING FROM OR CONTAINED IN THE DESIGNS ARE THE PROPERTY OF SOIL MACHINE DYNAMICS LTD. AND ALL INFORMATION MUST BE HELD IN THE STRICTEST CONFIDENCE.</small>												<b>Soil Machine Dynamics Ltd</b>		SHEET 2 OF 2	