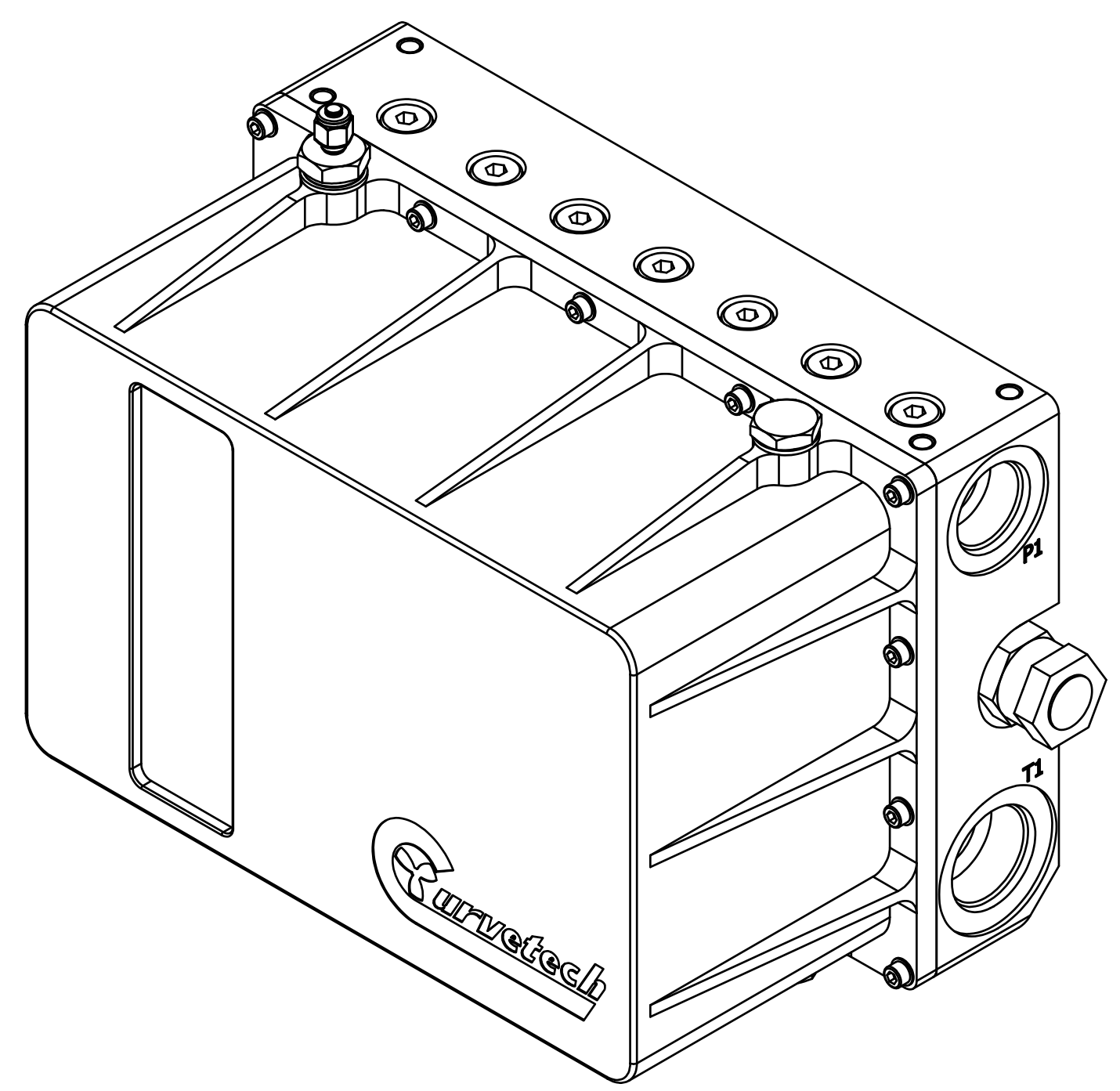
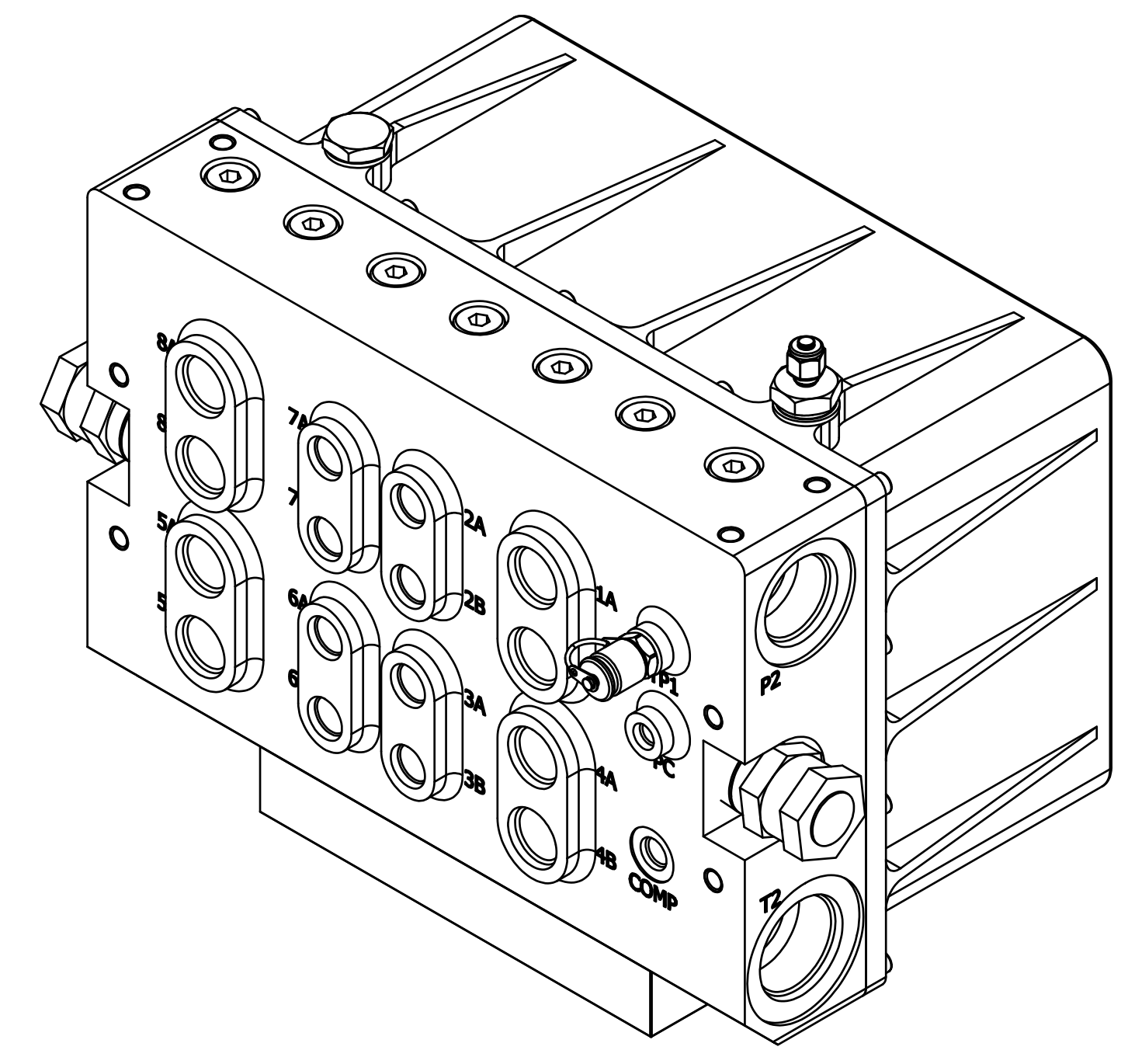
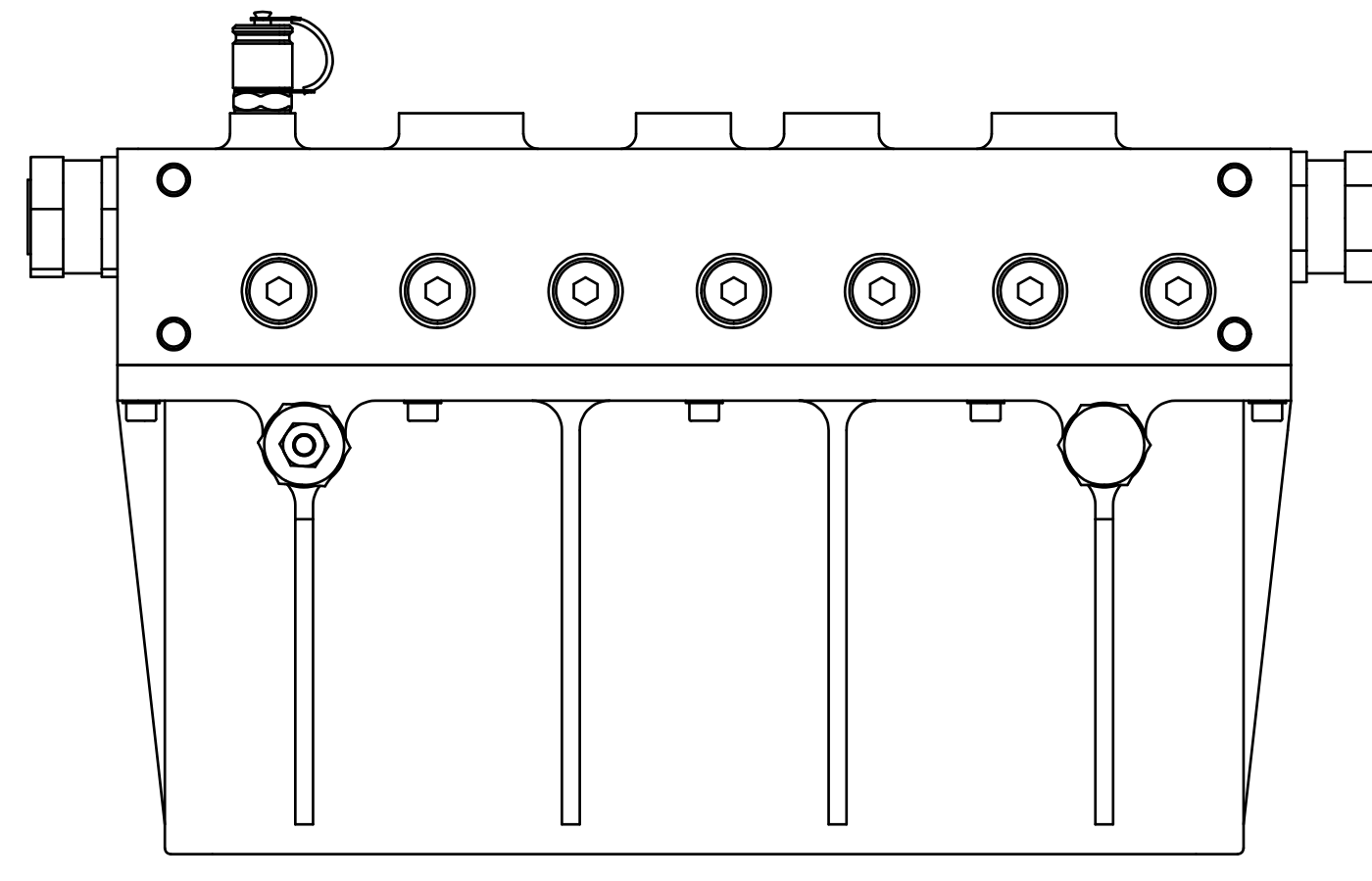


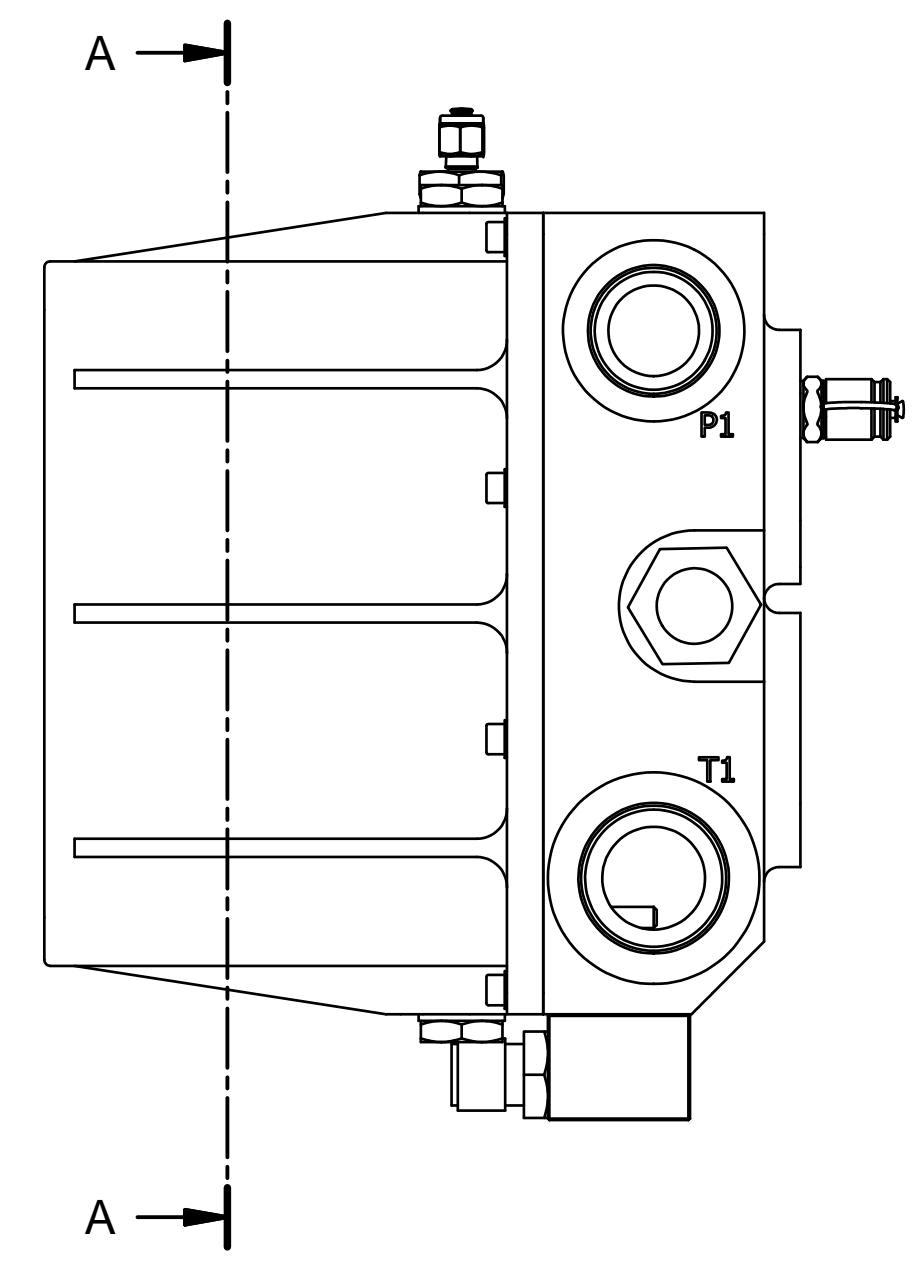
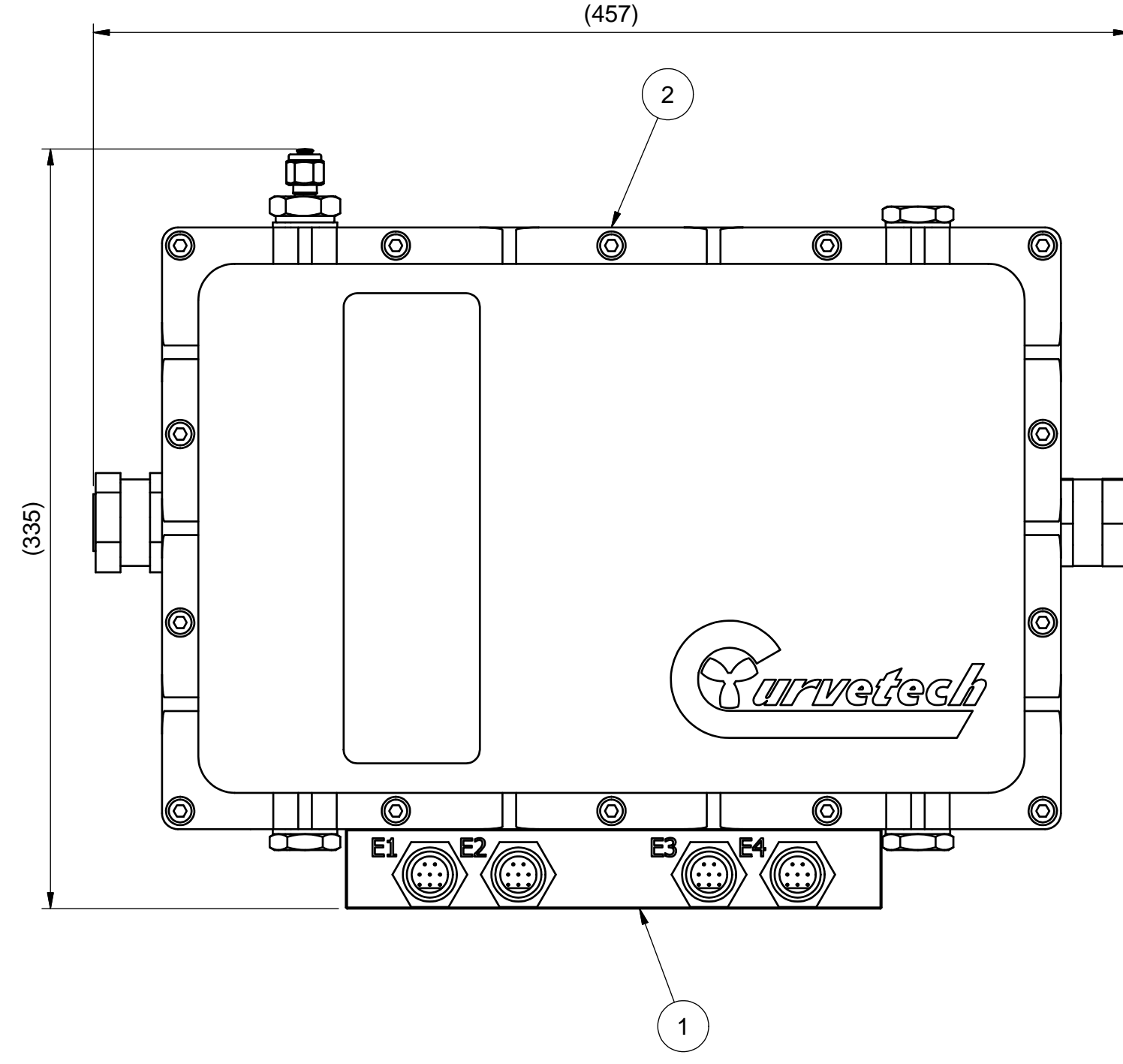
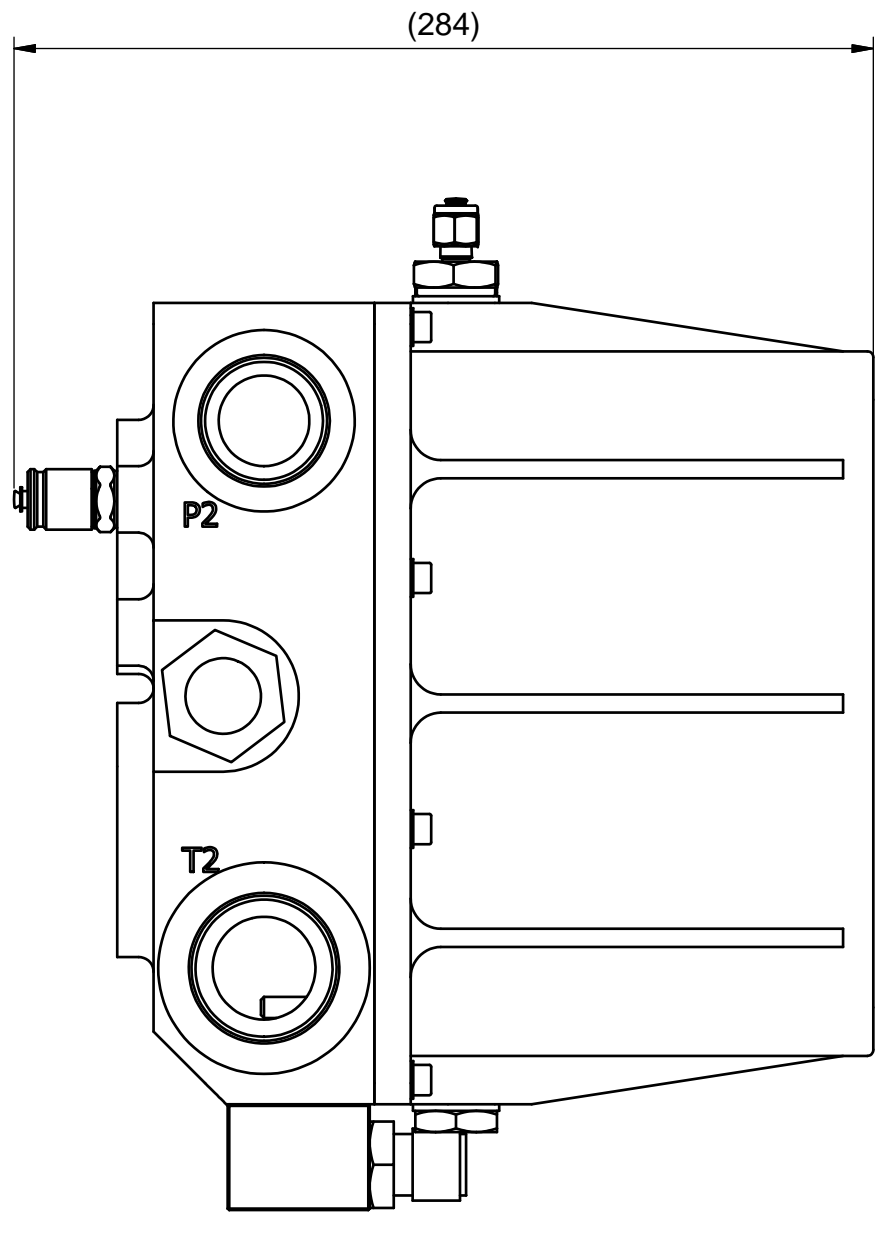
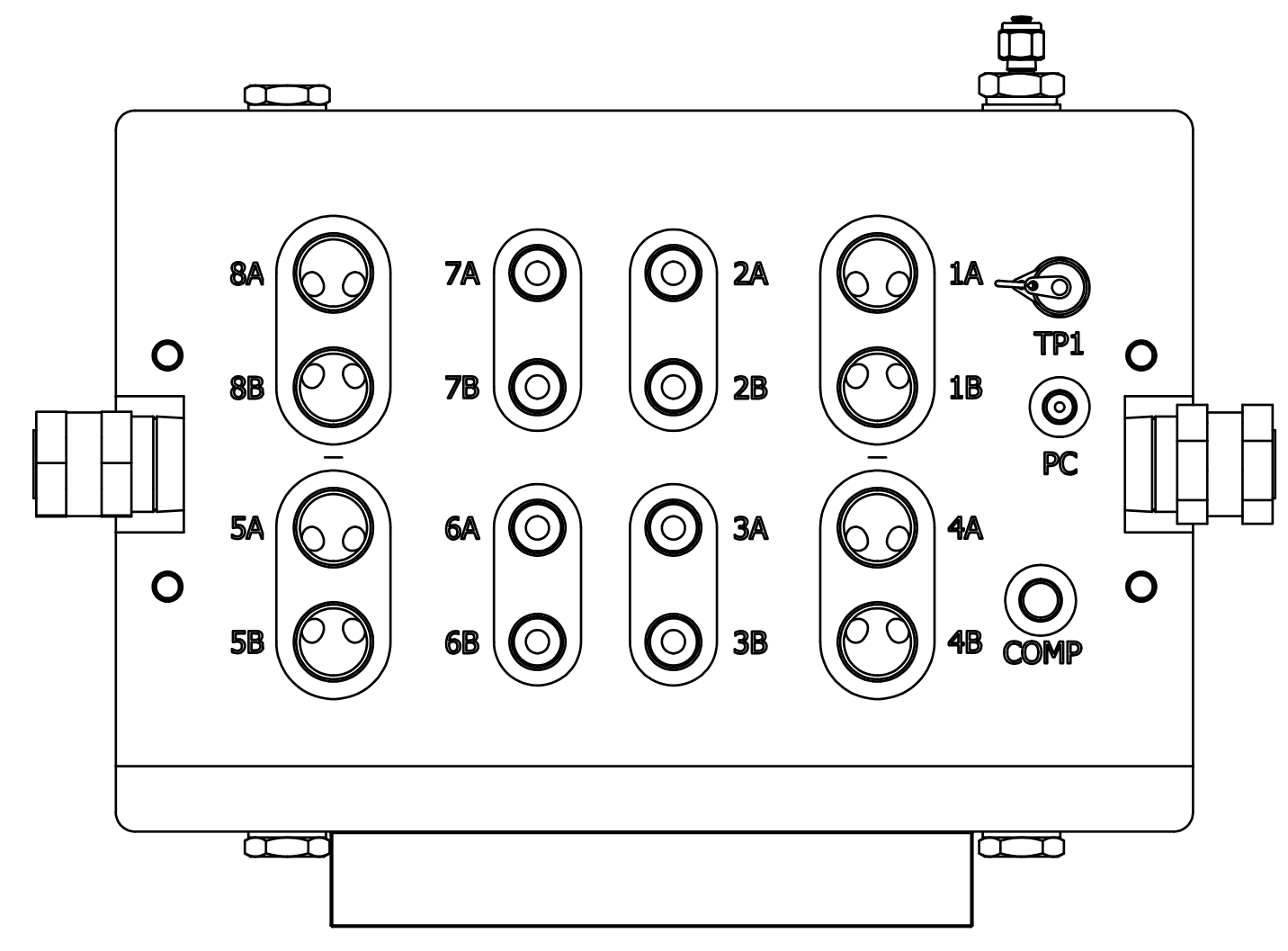
A



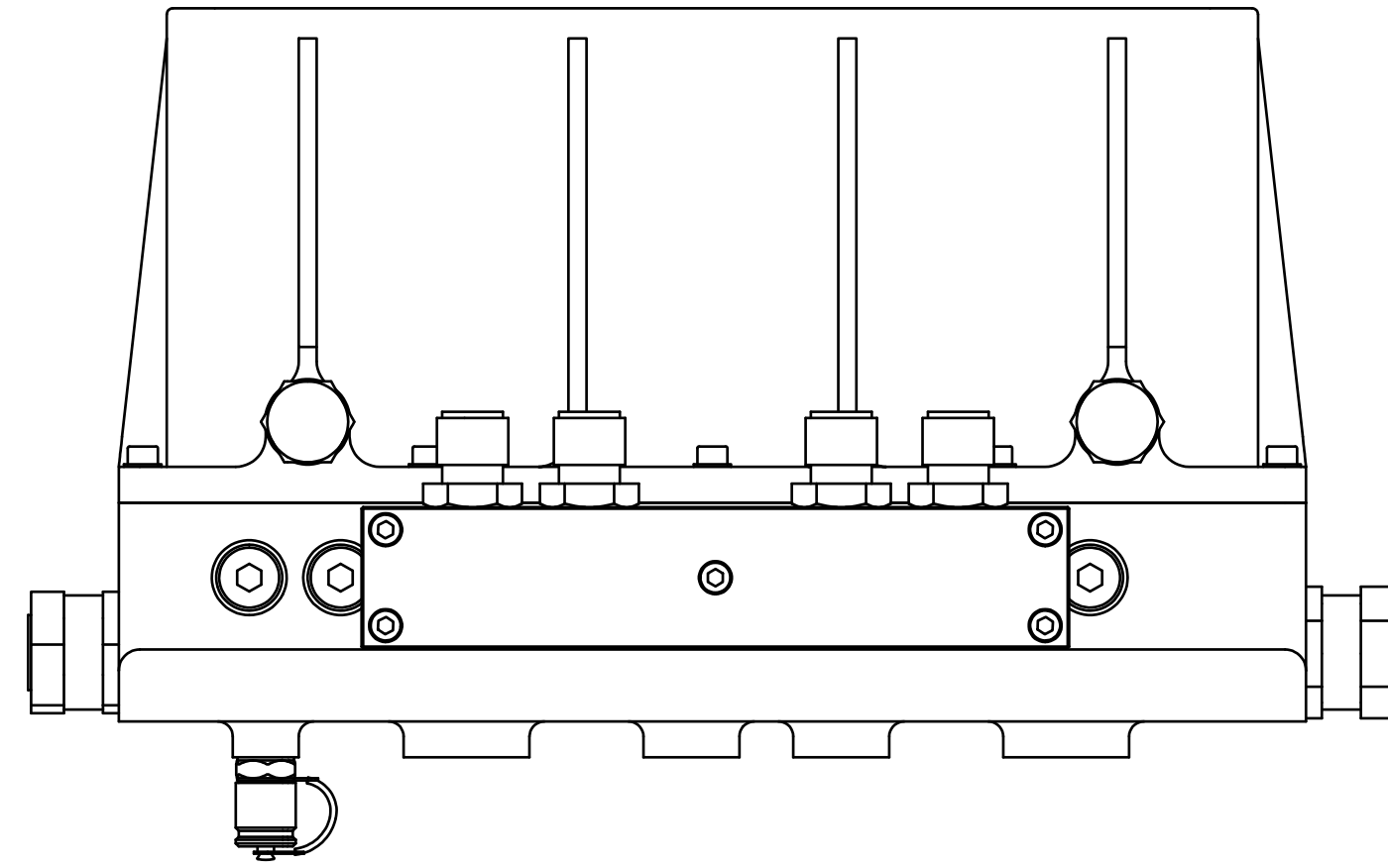
B



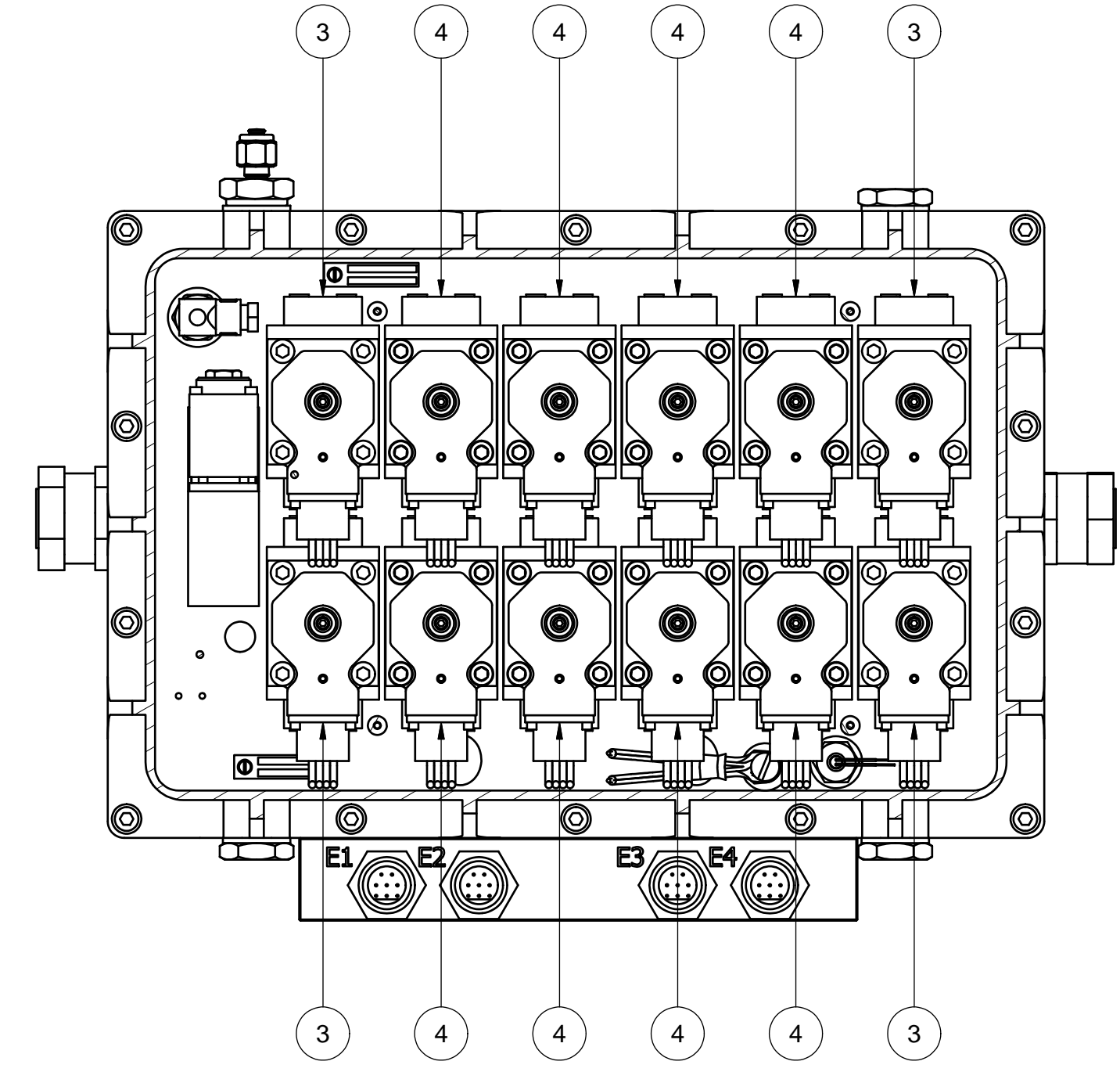
C



D



E



SECTION A-A

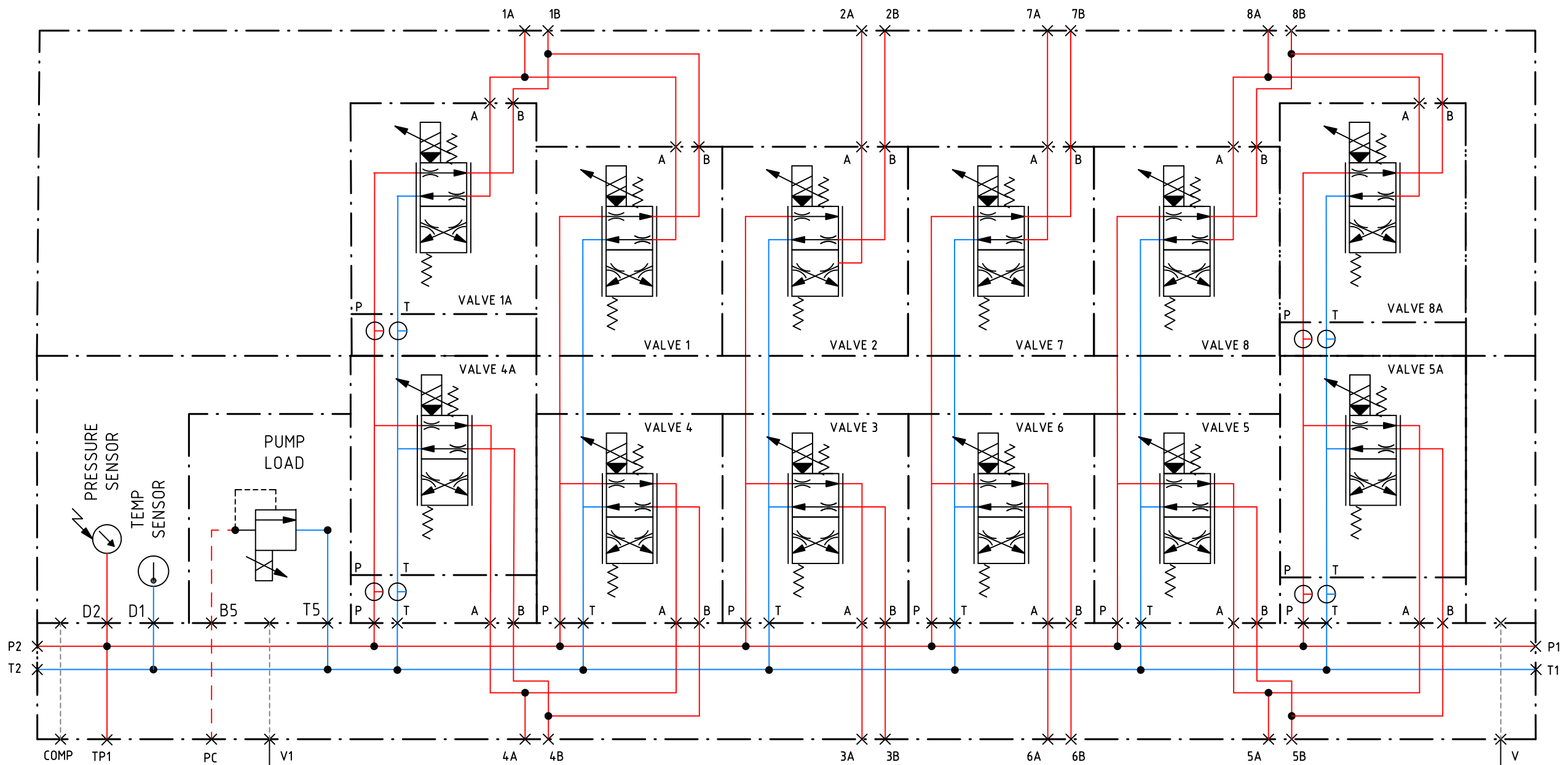
NOTES :-
1. ASSEMBLE IN ACCORDANCE WITH SMD SPECIFICATION W100

PARTS LIST			
ITEM	PART No	DESCRIPTION	QTY
1	AH3924	ASSEMBLY TCU ELEC. MANIFOLD	1
2	AH3975	ASSEMBLY CORE 8-STATION ITCU	1
3	AJ3419	ASSEMBLY SERVO VALVE (A & B TO TANK) CW ISOLATION VALVE	4
4	AJ3891	ASSEMBLY SERVO VALVE (A & B TO TANK)	8

REV	DATE	CHANGE COMMENT	ZONE	DRAWN	CHECKED	APPD

DATE	EST. MASS	DIMENSIONS	SCALE	PROJECTION 3RD	TITLE					
29 APR 15	48 kg	mm	1 : 2.5		ASSEMBLY ITCU 8-STATION - BURTON HIGH FLOW 12 VALVE - A&B TO TANK VALVES					
DESIGNED	DRAWN	TOLERANCES UNLESS OTHERWISE STATED			MATERIAL:- N/A					
NRC	NRC	DIMENSIONS mm	UP TO 100	100 TO 300		300 TO 1000	OVER 1000			
CHECKED	APPROVED	FABRICATION	± 1.0	± 1.5	± 2.0	± 3.0	DO NOT SCALE	DRAWING No	REV No.	SIZE
JPG	JPG	MACHINED PART	± 0.15	± 0.4	± 0.8	± 1.0	IF IN DOUBT ASK	AJ3965	0	A1

ALL INTELLECTUAL PROPERTY RIGHTS SUBSISTING IN THESE DESIGNS ARE THE PROPERTY OF SOIL MACHINE DYNAMICS LTD. NO COPY IS TO BE MADE WITHOUT THE WRITTEN PERMISSION OF SOIL MACHINE DYNAMICS LTD. ANY PATENT APPLICATIONS, PATENTS AND / OR DESIGN APPLICATIONS, REGISTERED DESIGNS, DESIGN RIGHTS OR COPYRIGHT ARISING FROM OR CONTAINED IN THE DESIGNS ARE THE PROPERTY OF SOIL MACHINE DYNAMICS LTD. AND ALL INFORMATION MUST BE HELD IN THE STRICTEST CONFIDENCE



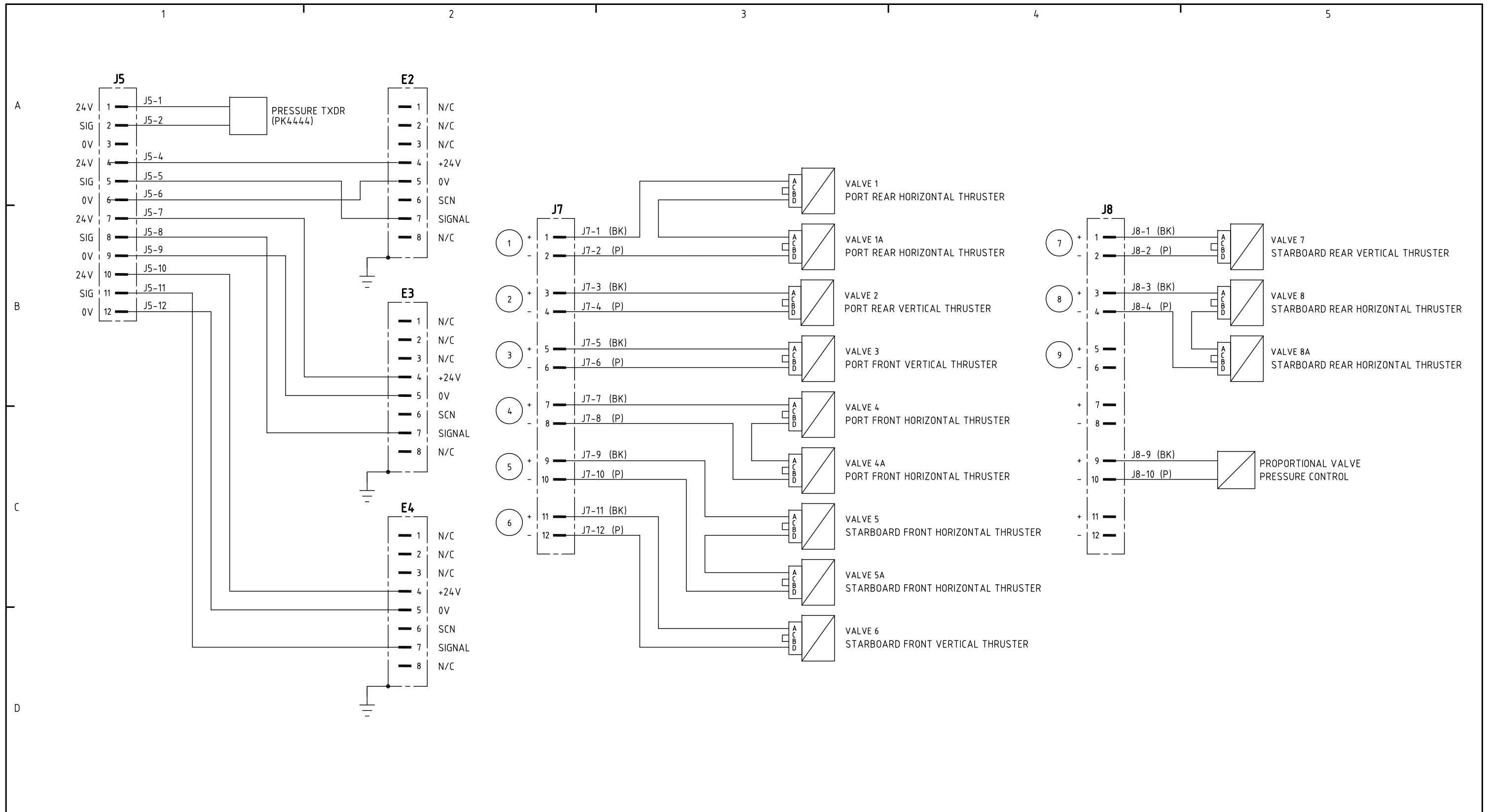
PORT SIZES:
 P1/P2 PRESSURE PORTS 1-5/16" UNF SAE
 T1/T2 RETURN PORTS 1-5/16" UNF SAE
 3A-6B SERVICE PORTS 3/4" UNF SAE
 1A-2B & 7A-8B SERVICE PORTS 1-1/16" UNF SAE

COMP COMPENSATION 9/16" UNF SAE
 TP1 TEST POINT 1/4" BSPP
 PC PUMP CONTROL 7/16" UNF SAE
 V PACK RELIEF 1" NPT
 V1 PACK RELIEF 1" NPT

REV No	DATE	CHANGE	ZONE	DRAWN	CHECKED	APPROVED	TITLE												
							ASSEMBLY iTCU 8-STATION - BURTON HIGH FLOW 12 VALVE - A&B TO TANK VALVES					DESIGNED	DRAWN	CHECKED	APPROVED	DATE	DRAWING NO.	REV No.	
												NRC	NRC	JPG	JPG	29 APR 15	AJ3965		
																SHEET 2 OF 4			

ALL INTELLECTUAL PROPERTY RIGHTS SUBSISTING IN THESE DESIGNS ARE THE PROPERTY OF SOIL MACHINE DYNAMICS LTD. NO COPY IS TO BE MADE WITHOUT THE WRITTEN PERMISSION OF SOIL MACHINE DYNAMICS LTD. ANY PATENT APPLICATIONS, PATENTS AND/OR DESIGN APPLICATIONS, REGISTERED DESIGNS, DESIGN RIGHTS OR COPYRIGHT ARISING FROM OR CONTAINED IN THE DESIGNS ARE THE PROPERTY OF SOIL MACHINE DYNAMICS LTD AND ALL INFORMATION MUST BE HELD IN THE STRICTEST CONFIDENCE

 **Soil Machine Dynamics Ltd** **A3**



REV No	DATE	CHANGE	ZONE	DRAWN	CHECKED	APPROVED	TITLE						
							ASSEMBLY iTCU 8-STATION - BURTON HIGH FLOW 12 VALVE (ELECTRICAL WIRING)						
							DESIGNED	DRAWN	CHECKED	APPROVED	DATE	DRAWING NO.	REV No.
							P.D.W.	NRC	KS	KS	29 APR 15	AJ3965	0
							SHEET 4 OF 4						

ALL INTELLECTUAL PROPERTY RIGHTS SUBSISTING IN THESE DESIGNS ARE THE PROPERTY OF SOIL MACHINE DYNAMICS LTD. NO COPY IS TO BE MADE WITHOUT THE WRITTEN PERMISSION OF SOIL MACHINE DYNAMICS LTD. ANY PATENT APPLICATIONS, PATENTS AND/OR DESIGN APPLICATIONS, REGISTERED DESIGNS, DESIGN RIGHTS OR COPYRIGHT ARISING FROM OR CONTAINED IN THE DESIGNS ARE THE PROPERTY OF SOIL MACHINE DYNAMICS LTD AND ALL INFORMATION MUST BE HELD IN THE STRICTEST CONFIDENCE

SMD Soil Machine Dynamics Ltd **A3**