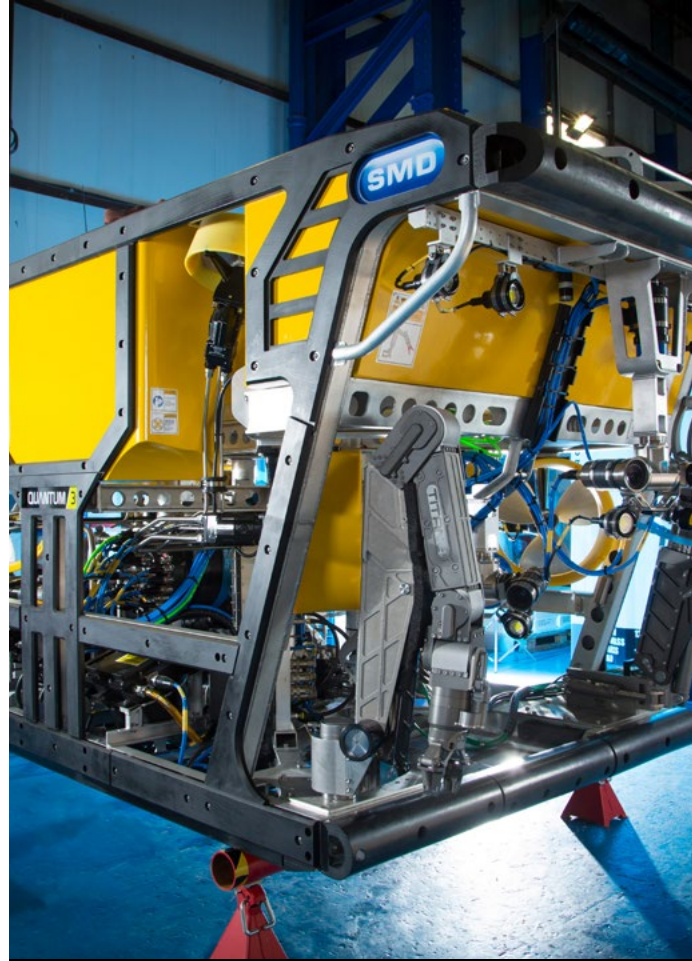


HEAVY DUTY CONSTRUCTION CLASS ROV QUANTUM



ENGINEERING
EXCELLENCE
UNDERWATER

HEAVY DUTY CONSTRUCTION CLASS ROV QUANTUM

Quantum is SMD's largest work class ROV suitable for heavy construction duties. Utilising the latest multi-platform Curvetech™ components, the vehicle offers class-leading in-current performance and extensive free tool and instrument space. Designed to cope with power intensive deepwater tasks, The Quantum is the ultimate subsea construction and survey tool.

FEATURES

- SMD's most powerful ROV
- Large payload and through frame lift to meet your heavy duty tooling needs
- Configurable for survey and heavy construction tasks
- The ultimate ROV for the most demanding of missions

CONTACT US

SMD

info@smd.co.uk

+44 (0) 191 234 2222

SMD.CO.UK

HEAVY DUTY CONSTRUCTION CLASS ROV QUANTUM

GENERAL

Depth rating	up to 4000msw
Dimensions	
Length	3680mm (145in)
Width	2000mm (78.7in)
Height	2000mm (78.7in)
Weight in air (base system)	5000kg (11023 lbs)
Payload (base system)	350kg (772 lbs)
Through frame lift	4000kg (8819 lbs)

PERFORMANCE

Bollard pull	
Forward/aft	1100kgf (2425 lbs)
Vertical (up)	900kgf (1984 lbs)
Surface performance	
Forward	3.5kn
Lateral	2.8kn
Vertical	2.2kn

INSTRUMENTS/TOOLING

Hydraulic channels	
Standard	2 x 12ch iHCU (15LPM), 4ch iHCU (HFlow)
Optional	Torque tool controller
Video capability	
Standard	8 x channels composite
Optional	2 x HDTV channels
Gyro	
Standard	Gyro compass
Optional	NS FOG
Lighting	12 x halogen or LED + 2 x HID
Manipulator 1	x 7F pos feedback (T4 compatible)
Grabber	1 x 5F rate, heavy duty

CONTROL CABIN

Control cabin	20ft, A60 ISO (optional zone II 3G)
Control system	SMD DVECSII ROV control hardware Dual touch screens TFT video wall
Incoming power supplies	380V-480Vac or 690Vac

UPGRADE OPTIONS

Survey kit 1	2 x cameras 4 x RS232 channels Ethernet (10/100T)
Survey kit 2	Interface for 2 x Seabat 7125 units or high band width instruments
Survey kit 3	Interface for 2 x Seabat 7125/8125 units or high band width instruments

TYPICAL QUANTUM SYSTEM

- 12Te Telescopic A-Frame
- 12Te 3500m winch
- Extended TMS
- Option available to suit customer requirements

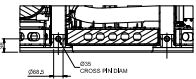
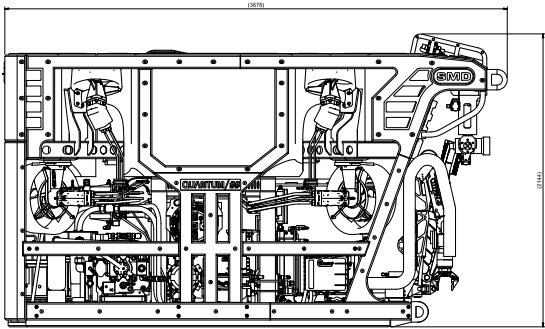
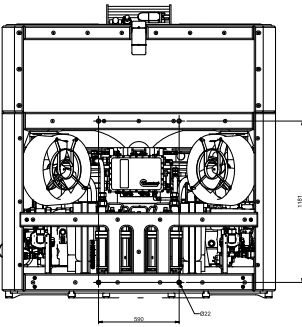
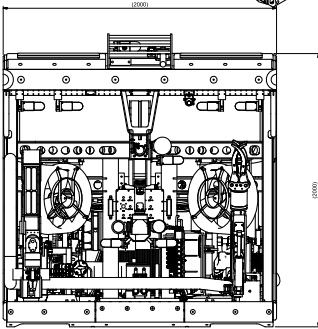
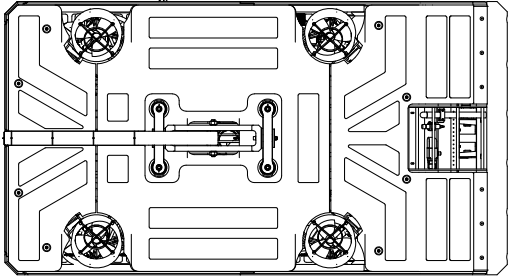
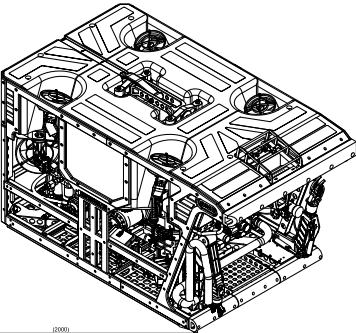


CONTACT US

SMD

info@smd.co.uk
+44 (0) 191 234 2222
SMD.CO.UK

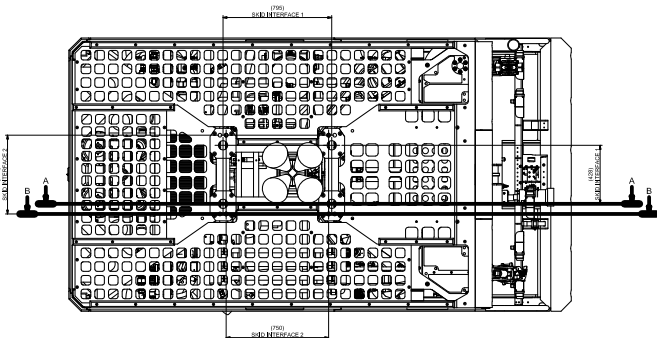
HEAVY DUTY CONSTRUCTION CLASS ROV QUANTUM



SECTION A-A
SUBMERFACE 1



SECTION B-B
SUBMERFACE 2



CONTACT US
SMD
info@smd.co.uk
+44 (0) 191 234 2222
SMD.CO.UK