



ULTRA COMPACT  
WORK CLASS  
ROV  
ATOM



ENGINEERING  
EXCELLENCE  
UNDERWATER

# ULTRA COMPACT WORK CLASS ROV ATOM

SMD's Atom is an ultra compact work class ROV comparable in size to an electric ROV system. The vehicle is suitable for drill support, survey and light construction duties and can be mobilised on vessels and rigs with limited deck space. Designed with ease of operation and maintenance in mind, the Atom boasts the latest DVECSII distributed control, graphical displays and pilot aids coupled with proven powerful Curvetech™ components. The Atom can be supplied as a complete package with SMD's ultra compact TMS and LARS.

## FEATURES

- Ultra compact work class ROV
- Easy to operate and maintain with small on-deck footprint
- Configurable for survey, drill support and renewables tasks
- The high performance alternative to an electric

## CONTACT US

**SMD**

[info@smd.co.uk](mailto:info@smd.co.uk)

+44 (0) 191 234 2222

[SMD.CO.UK](http://SMD.CO.UK)

# ULTRA COMPACT WORK CLASS ROV ATOM

## GENERAL

Depth rating	up to 4000msw
Dimensions	
Length	2520mm (99.2in)
Width	1500mm (59in)
Height	1500mm (59in)
Weight in air (base system)	2000kg (4409 lbs)
Payload (base system)	150kg (331 lbs)
Through frame lift	1500kg (3307 lbs)

## PERFORMANCE

	optional (low power)	Standard
Bollard pull		
Forward/aft	400kgf (882 lbs)	550kgf (1213 lbs)
Vertical (up)	330kgf (728 lbs)	330kgf (728 lbs)
Surface performance		
Forward	2.9kn	3.5kn
Lateral	2.3kn	2.8kn
Vertical	2.0kn	2.0kn

## INSTRUMENTS/TOOLING

Hydraulic channels	
Standard 1	0ch iHCU (15LPM), 1ch (high flow)
Optional	Torque tool controller 2ch iHCU (95LPM)
Video capability	
Standard	6 x channels composite
Optional	2 x HDTV channels
Gyro	
Standard	Gyro compass
Optional	NS FOG
Lighting	2 x HID + 6 x halogen or LED
Manipulator	1 x 7F pos feedback (T4 compatible)
Grabber 1	x 5F rate, heavy duty

## CONTROL CABIN

Control cabin	16 or 20ft, A60 ISO (optional zone II 3G)
Control system	SMD DVECSII ROV control hardware Dual touch screens TFT video wall
Incoming power supplies	380V-480Vac or 690Vac

## UPGRADE OPTIONS

Survey kit 1	2 x cameras 4 x RS232 channels Ethernet (10/100T)
Survey kit 2	Interface for 2 x Seabat 7125 units or high band width instruments
Survey kit 3	Interface for 2 x Seabat 7125/8125 units or high band width instruments

## TYPICAL ATOM SYSTEM

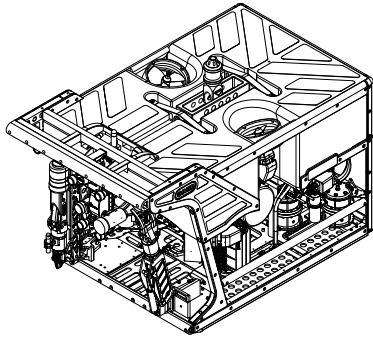
- 6te A-Frame
- 6Te 3500m winch c/w 75kW HPU
- Ultra Compact TMS
- Option available to suit customer requirements



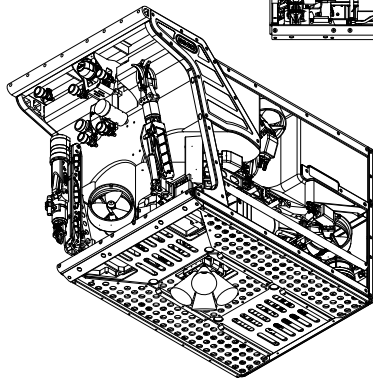
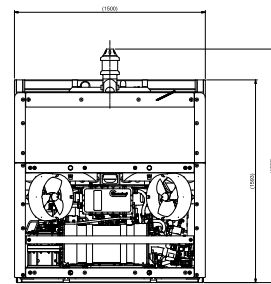
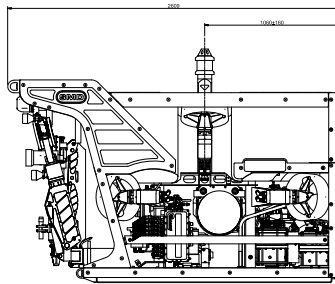
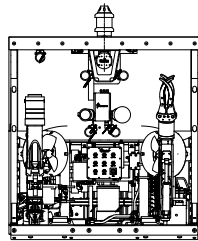
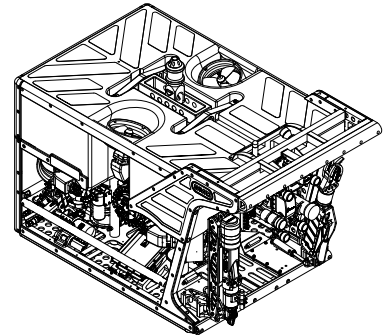
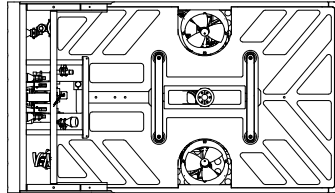
## CONTACT US

**SMD**  
info@smd.co.uk  
+44 (0) 191 234 2222  
SMD.CO.UK

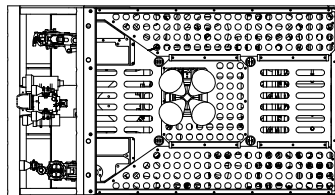
# ULTRA COMPACT WORK CLASS ROV ATOM



ISOMETRIC VIEW



ISOMETRIC VIEW



CONTACT US  
SMD  
info@smd.co.uk  
+44 (0) 191 234 2222  
SMD.CO.UK