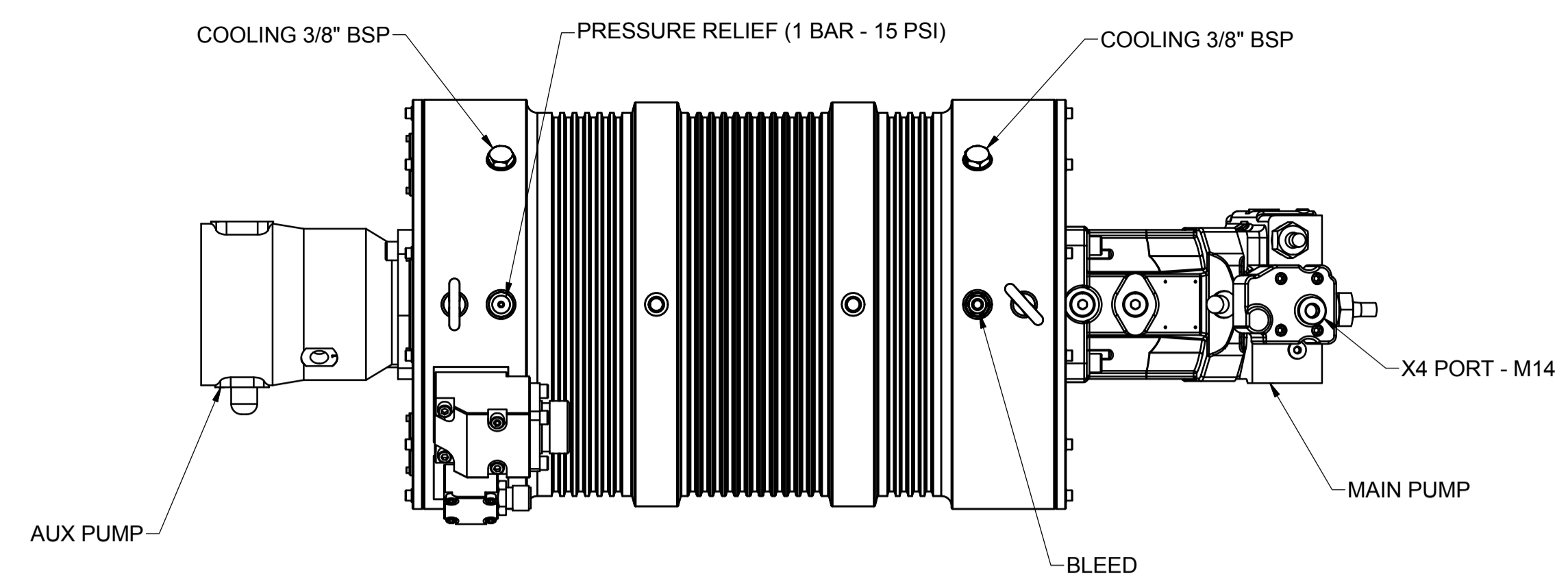
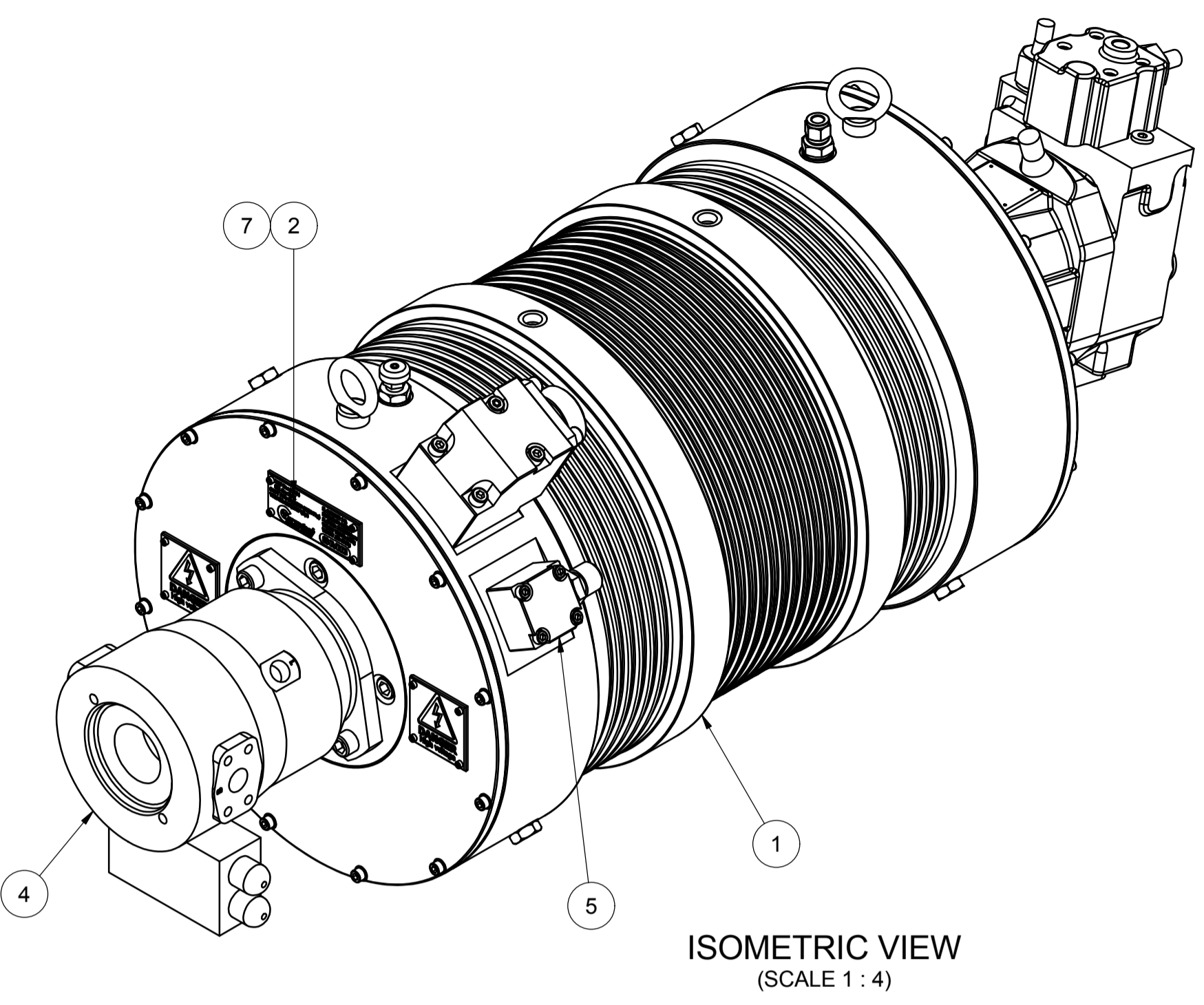
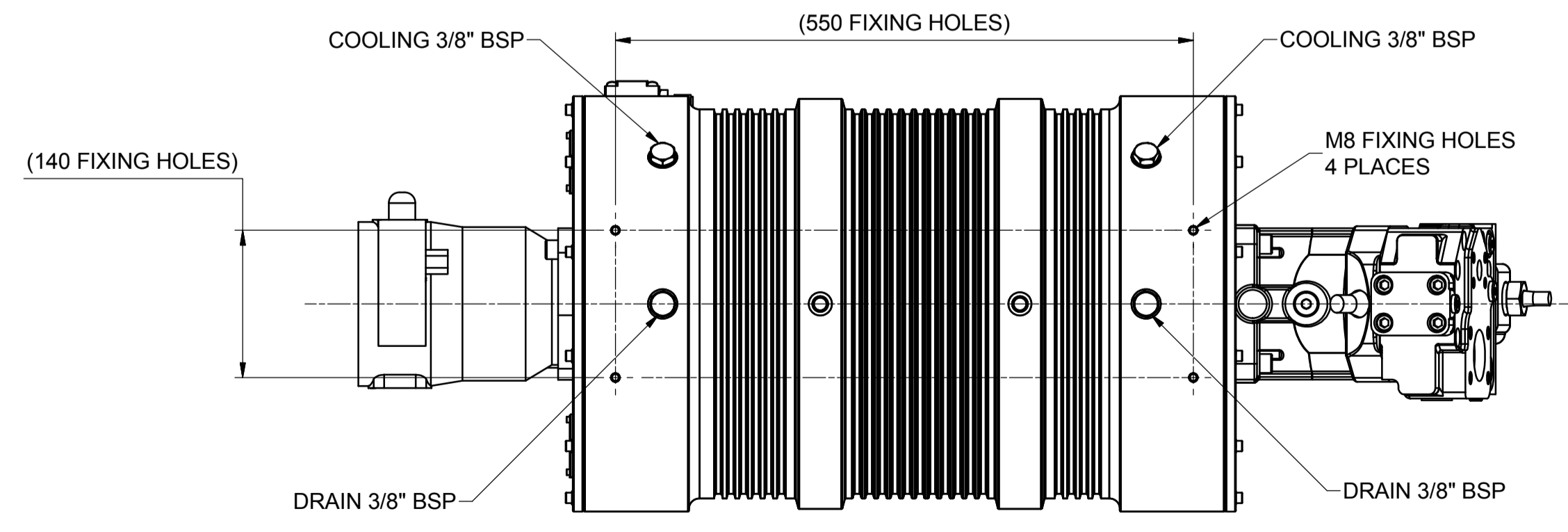
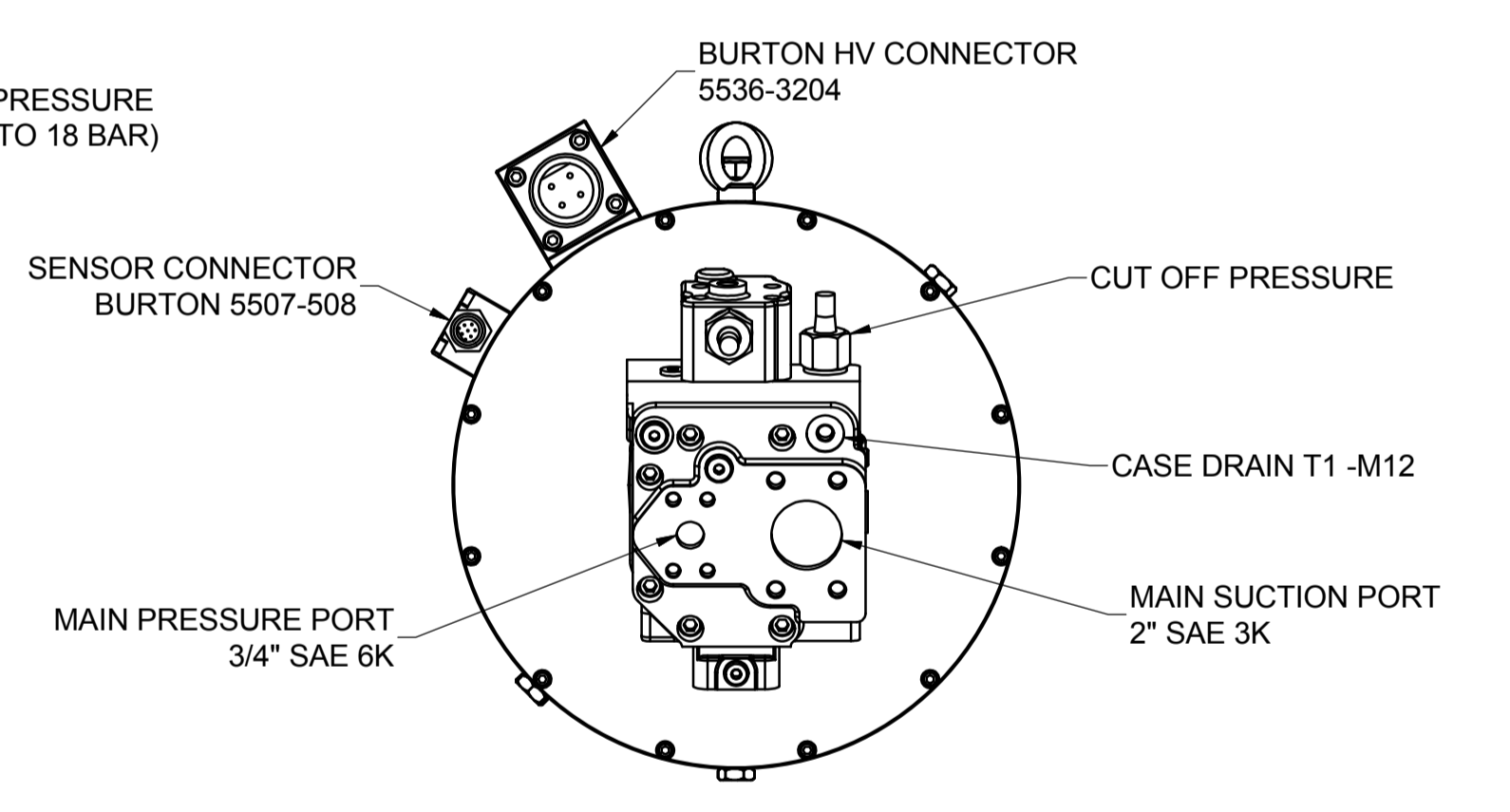
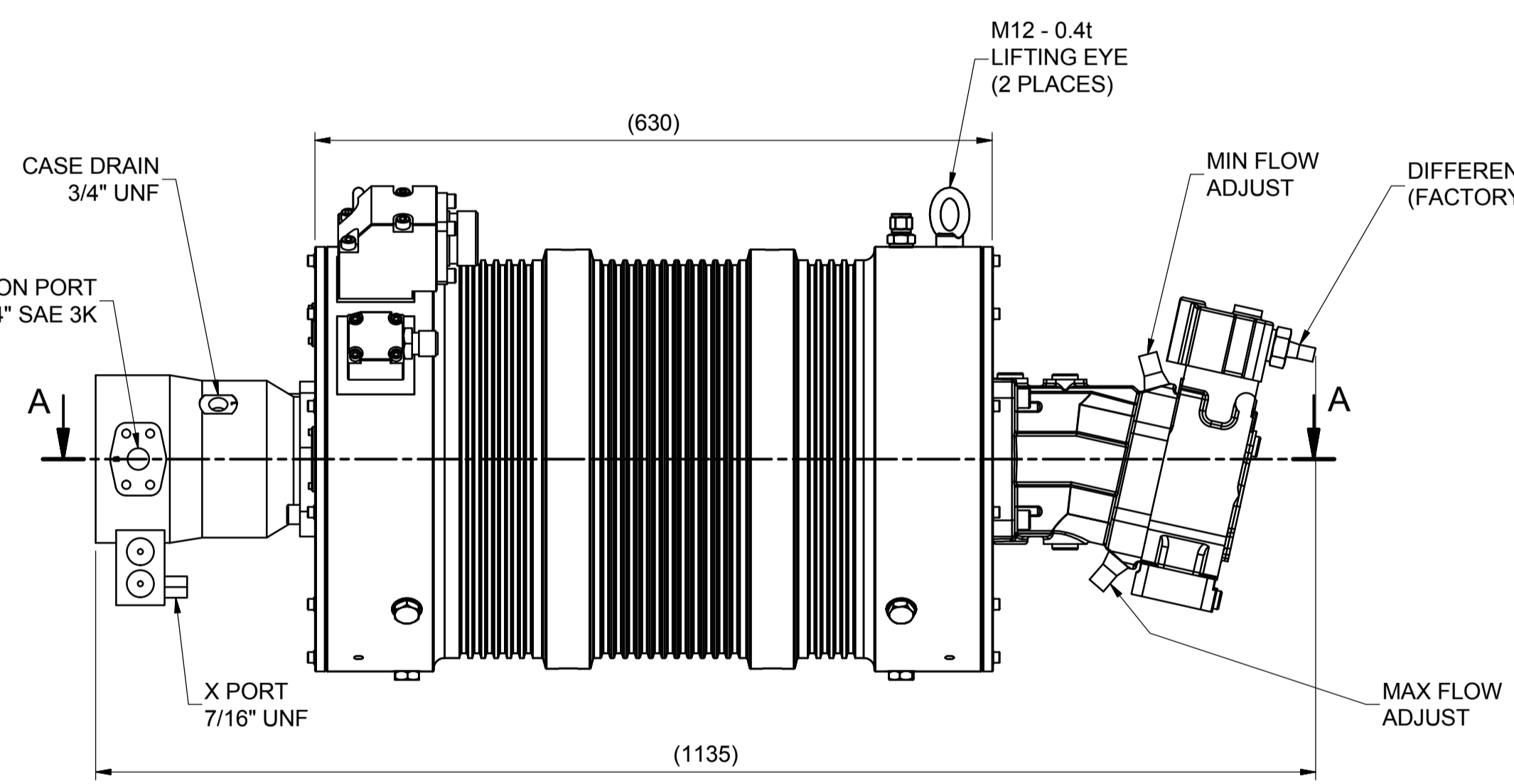
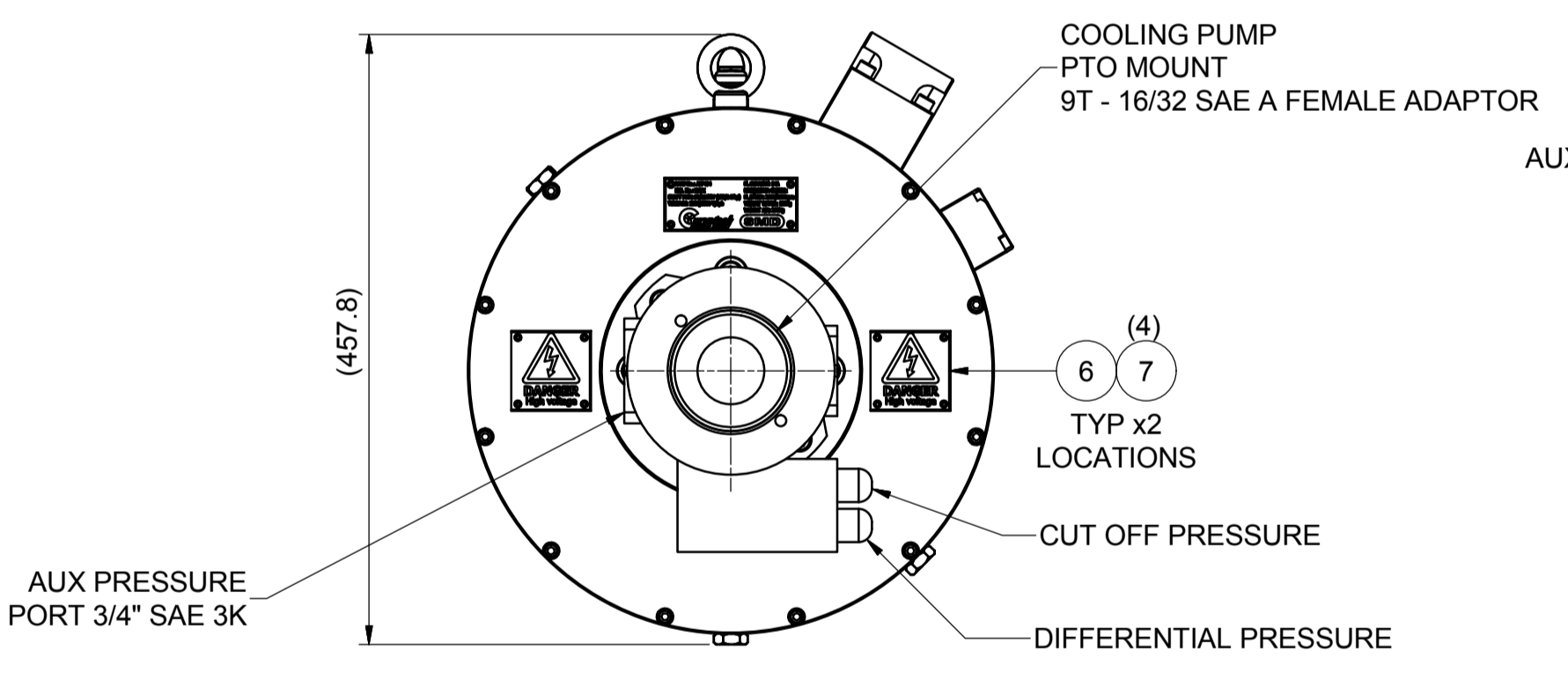
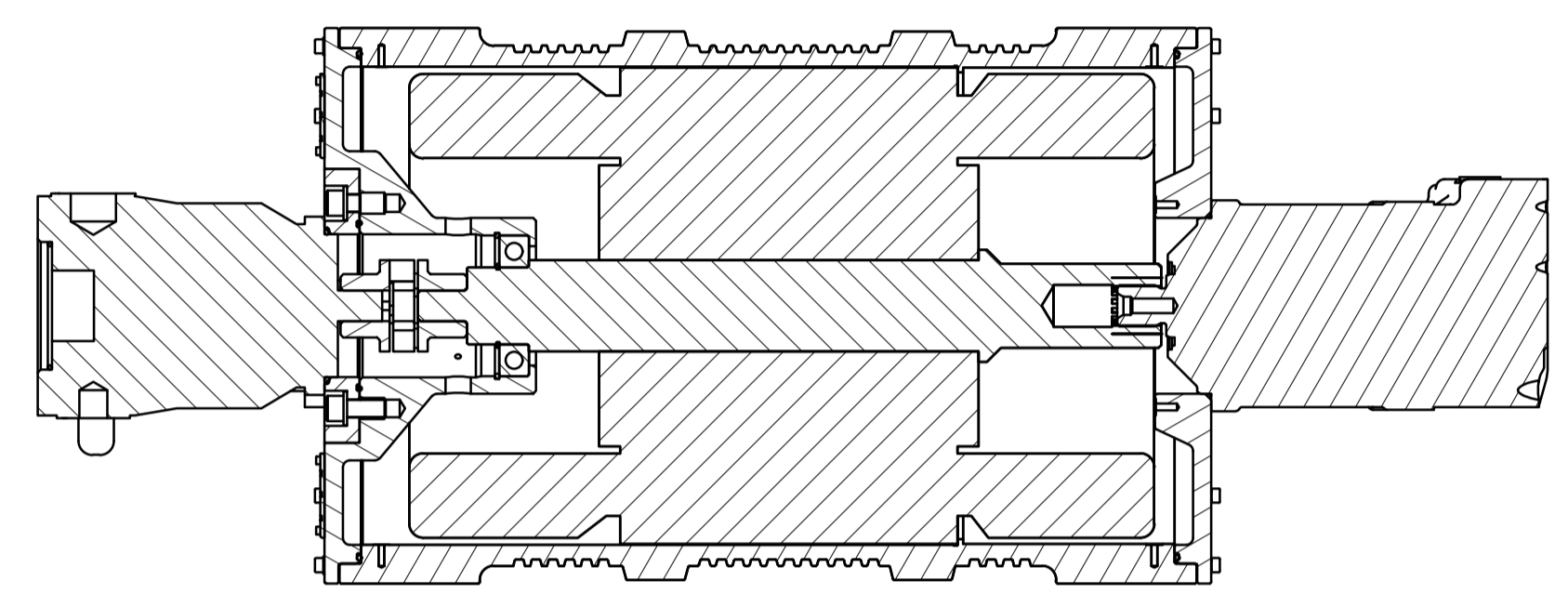


A
B
C
D
E



SPECIFICATION:-
 SHAFT POWER - 110kW (150hp) @ 60Hz - 3000V
 93kW (125hp) @ 50Hz - 2500V
 MAX. OPERATING PRESSURE - 250BAR - BOTH PUMPS
 MAX. FLOW AVAILABLE - MAIN PUMP 180 LPM (@60Hz)
 - AUX PUMP 93 LPM (@60Hz)
 FULL LOAD CURRENT - 34 AMPS
 WEIGHT IN AIR - 278kg
 WIEGHT IN SEA WATER - 188kg



REV	DATE	CHANGE COMMENT	ZONE	DRAWN	CHECKED	APPD	DATE	EST. MASS	DIMENSIONS	SCALE	PROJECTION 3RD	TITLE					
1	07 SEP 15	NO CHANGE TO BOM. DRAWING NOTES RELOCATED.	-	LO	PIB	NRC	19 AUG 14	SEE NOTES	mm	1:5		ASSEMBLY 110KW HPU 2-POLE- BURTON					
								DESIGNED	DRAWN	TOLERANCES UNLESS OTHERWISE STATED			MATERIAL:- N/A				
								DH	LO	DIMENSIONS mm	UP TO 100	100 TO 300	300 TO 1000	OVER 1000	DO NOT SCALE IF IN DOUBT ASK		
								CHECKED	APPROVED	FABRICATION	± 1.0	± 1.5	± 2.0	± 3.0	DRAWING No	REV No.	SIZE
								NRC	JPG	MACHINED PART	± 0.15	± 0.4	± 0.8	± 1.0	AH9640	1	A1
ALL INTELLECTUAL PROPERTY RIGHTS SUBSISTING IN THESE DESIGNS ARE THE PROPERTY OF SOIL MACHINE DYNAMICS LTD. NO COPY IS TO BE MADE WITHOUT THE WRITTEN PERMISSION OF SOIL MACHINE DYNAMICS LTD. ANY PATENT APPLICATIONS, PATENTS AND / OR DESIGN APPLICATIONS, REGISTERED DESIGNS, DESIGN RIGHTS OR COPYRIGHT ARISING FROM OR CONTAINED IN THE DESIGNS ARE THE PROPERTY OF SOIL MACHINE DYNAMICS LTD. AND ALL INFORMATION MUST BE HELD IN THE STRICTEST CONFIDENCE.												Soil Machine Dynamics Ltd		SHEET 1 OF 1			