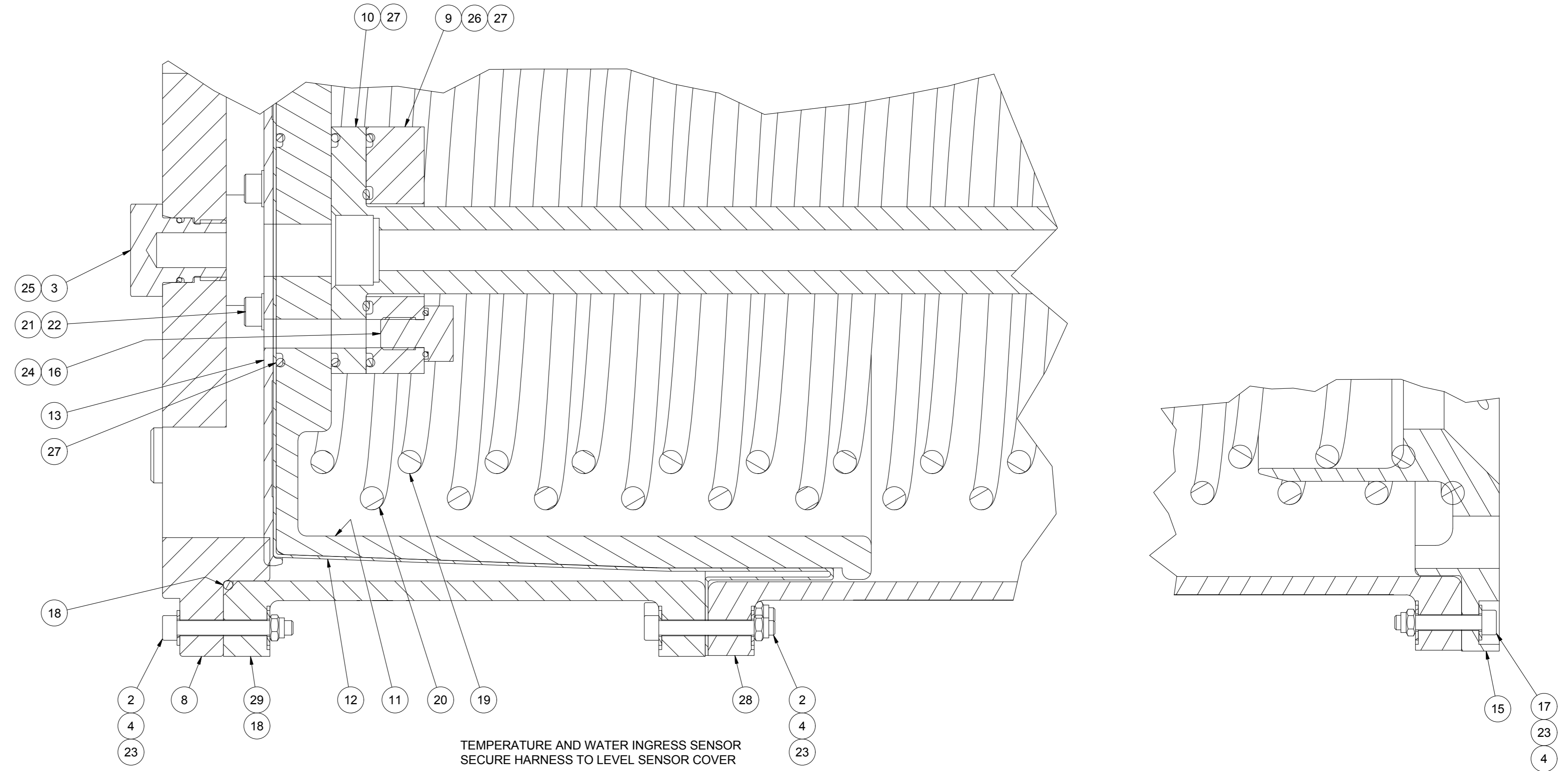


PARTS LIST			
ITEM	QTY	PART No	DESCRIPTION
1	1	AA7426	VALVE RELIEF 30psi (3/4"NPT)
2	36	AC7942	BOLT M5 X 40 SHCS SS A4-80
3	1	AC9729	BLANK - ROTA TRANSDUCER LJW
4	48	AD3436	NUT M5 NYLOC SS A4-80
5	2	AJ7337	LABEL CURVETECH LOGGO (WHITE ON TRANSPARENT)
6	2	AJ7481	LABEL WARNING SPRING UNDER COMPRESSION
7	1	AK4376	FITTING PLUG 1/4"BSP VSR SS AIR BLEED
8	1	AL4297	RESERVOIR END CAP
9	1	AL4299	SENSOR HOUSING CAP
10	1	AL4300	HOUSING IN-COMP SENSOR
11	1	AL4313	PISTON HEAD EV_4010
12	1	AL4320	ASSEMBLY DIAPHRAGM MODIFIED
13	1	AL4322	PLATE DIAPHRAGM RETAINER
14	2	AL4397	LABEL 11L COMPENSATOR LEVEL GAUGE
15	1	AL4536	PLATE COMPENSATOR LOWER END CAP
16	1	DI_3128	BLANKING PLUG 7/16" UNF
17	12	OB_1026	BOLT M5 x 30 SHCS SS A4-80
18	1	OR_1073-1	O-RING BS269 (221.84 x 3.53)
19	1	OV_4519-1	INNER SPRING 7.5 PSI
20	1	OV_4520-1	OUTER SPRING
21	4	PA0546	WASHER M6 FLAT BS4320 FORM B SS A2
22	4	PA4705	BOLT M6 x 45 SHCS A2 SS
23	96	PA4892	WASHER M5 FLAT BS4320 FORM A SS A2
24	1	PC2212	SEAL O-RING BS014 NBR90 (12.42 x 1.78)
25	1	PC4025	O' RING 18.77 OD x 1.78 SEC
26	1	PC7871	SEAL O-RING 34.5 x 3.0
27	3	PE1755	SEAL O-RING 74.5 X 3.0
28	1	VE_2037	SPRING HOUSING 26 PINT COMPENSATOR
29	1	W00233	PRESSURE HOUSING, 26 PINT COMP

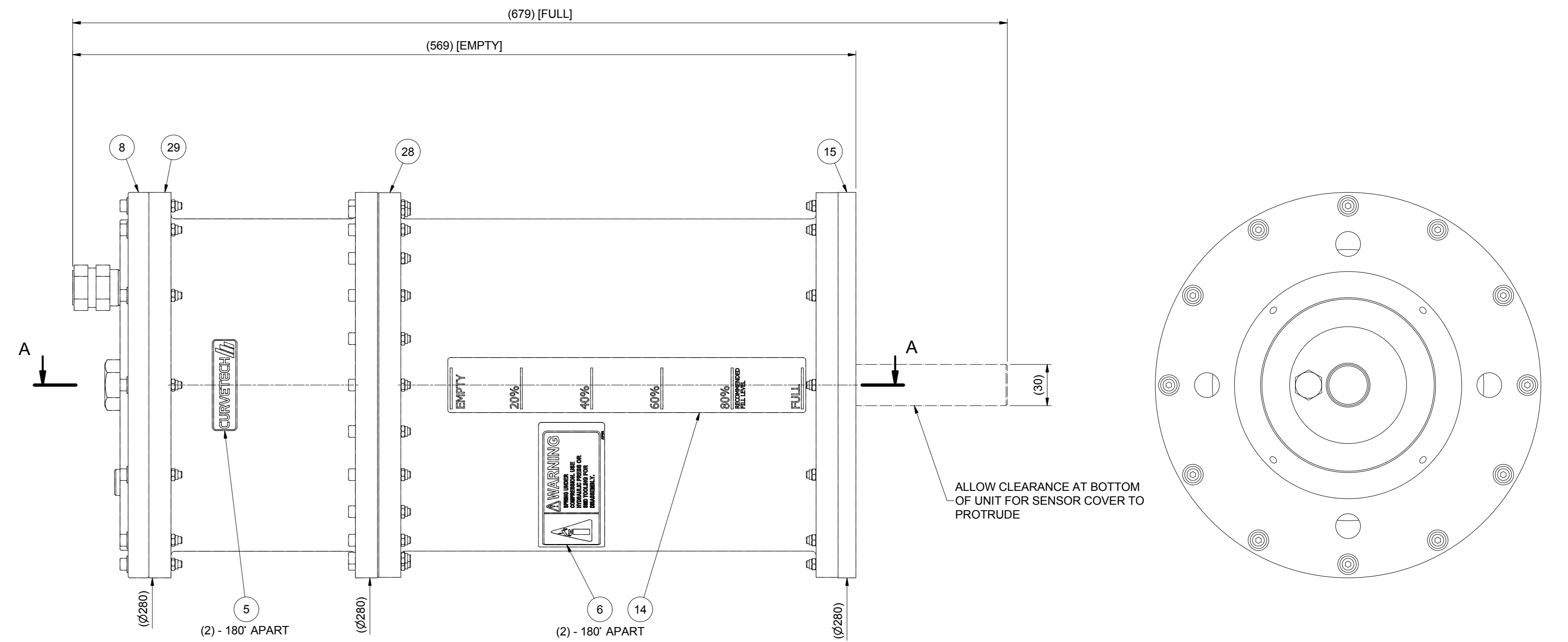
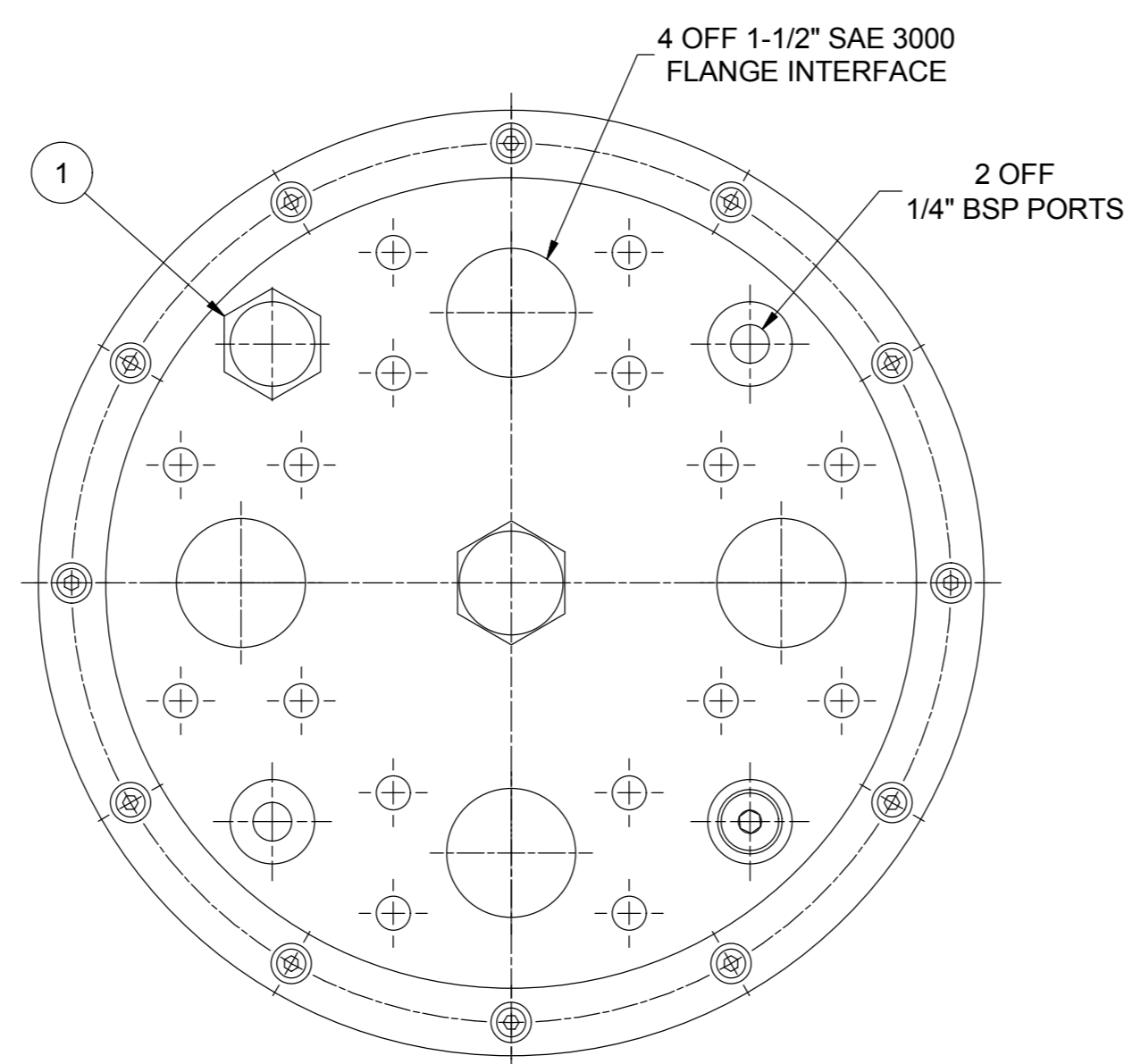
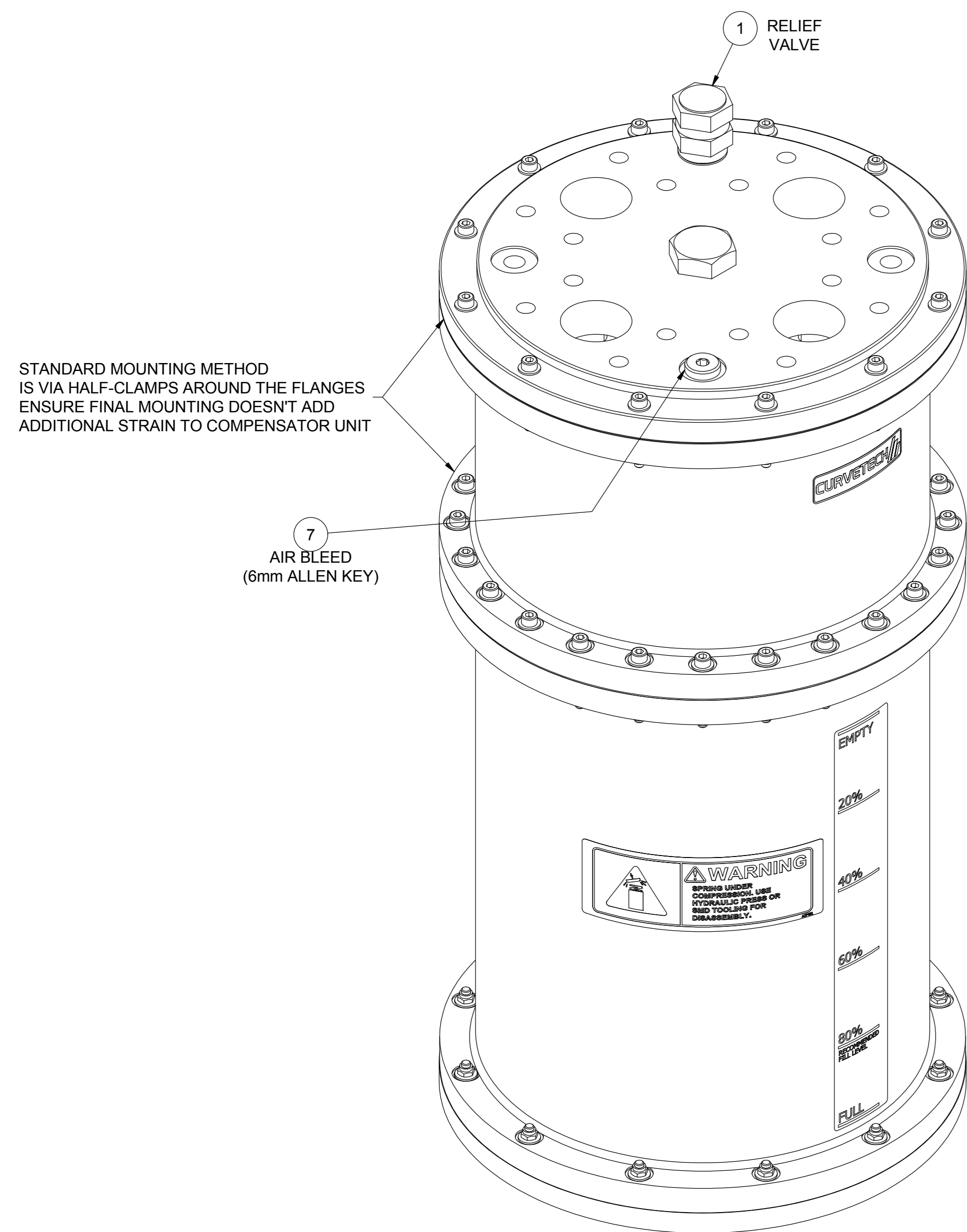
SPECIFICATION (ESTIMATE)		
WEIGHT	IN AIR	28 kg
	IN WATER	19 kg
	IN AIR WITH OIL	36 kg
VOLUME	IN SEA WATER WITH OIL	17kg
	FULL	10.6 Litre
PRESSURE	EMPTY	0 Litre
	FULL	0.9 bar
MAXIMUM WORKING PRESSURE	EMPTY	0.4 bar
	FULL	1 bar
MAXIMUM OPERATIONAL DEPTH		6000m
MATERIALS	TOP PLATE & BOLTS - SS HOUSINGS - ENGINEERED PLASTIC DIAPHRAGM - NBR RUBBER	

NOTES :-
 1. ASSEMBLE IN ACCORDANCE WITH SMD SPECIFICATION W100.
 2. APPLY MOLYKOTE GREASE ON 'O-RINGS' & APPLY AQUALUBE GREASE TO ALL THREADS.
 3. BLANK ALL PORTS AFTER BUILD.
 4. IF IN DOUBT PLEASE ASK.



SECTION A-A

WARNING ! DANGER OF INJURY.
 CARE MUST BE TAKEN WHEN FITTING OR REMOVING SPRING.
 A HYDRAULIC PRESS WITH RELEVANT SAFETY FEATURES
 SHOULD BE USED TO COMPRESS AND RELEASE THE SPRING.



REV	DATE	CHANGE COMMENT	ZONE	DRAWN	CHECKED	APPD	DATE	EST. MASS	DIMENSIONS	SCALE	PROJECTION	3RD	TITLE																																		
	07/08/18			JSW	JSW		27 kg	mm	1:2	3RD		ASSEMBLY COMPENSATOR 11L - 4 X 1 1/2\"/>																																			
<table border="1"> <tr> <td>DESIGNED</td> <td>DRAWN</td> <td colspan="4">TOLERANCES UNLESS OTHERWISE STATED</td> <td>MATERIAL :-</td> </tr> <tr> <td>JSW</td> <td>JSW</td> <td>UP TO 100</td> <td>100 TO 300</td> <td>300 TO 1000</td> <td>1000 TO OVER</td> <td>DO NOT SCALE IF IN DOUBT ASK</td> </tr> <tr> <td>CHECKED</td> <td>APPROVED</td> <td>FABRICATION</td> <td>MACHINED PART</td> <td colspan="2"></td> <td></td> </tr> <tr> <td>MvZ</td> <td>MvZ</td> <td>+1.0</td> <td>+1.5</td> <td>+2.0</td> <td>+3.0</td> <td></td> </tr> <tr> <td></td> <td></td> <td>+0.15</td> <td>+0.4</td> <td>+0.8</td> <td>+1.0</td> <td></td> </tr> </table>													DESIGNED	DRAWN	TOLERANCES UNLESS OTHERWISE STATED				MATERIAL :-	JSW	JSW	UP TO 100	100 TO 300	300 TO 1000	1000 TO OVER	DO NOT SCALE IF IN DOUBT ASK	CHECKED	APPROVED	FABRICATION	MACHINED PART				MvZ	MvZ	+1.0	+1.5	+2.0	+3.0				+0.15	+0.4	+0.8	+1.0	
DESIGNED	DRAWN	TOLERANCES UNLESS OTHERWISE STATED				MATERIAL :-																																									
JSW	JSW	UP TO 100	100 TO 300	300 TO 1000	1000 TO OVER	DO NOT SCALE IF IN DOUBT ASK																																									
CHECKED	APPROVED	FABRICATION	MACHINED PART																																												
MvZ	MvZ	+1.0	+1.5	+2.0	+3.0																																										
		+0.15	+0.4	+0.8	+1.0																																										
<p>ALL INTELLECTUAL PROPERTY RIGHTS SUBSISTING IN THESE DESIGNS ARE THE PROPERTY OF SOIL MACHINE DYNAMICS LTD. NO COPY IS TO BE MADE WITHOUT THE WRITTEN PERMISSION OF SOIL MACHINE DYNAMICS LTD. ANY PATENT APPLICATIONS, PATENTS AND / OR DESIGN APPLICATIONS, REGISTERED DESIGNS, DESIGN RIGHTS OR COPYRIGHT ARISING FROM OR CONTAINED IN THE DESIGNS ARE THE PROPERTY OF SOIL MACHINE DYNAMICS LTD. AND ALL INFORMATION MUST BE HELD IN THE STRICTEST CONFIDENCE.</p> <p>SMD Soil Machine Dynamics Ltd</p> <p>DRAWING No: EV_4010-9 REV No: 0 SIZE: A0</p> <p>SHEET 1 OF 1</p>																																															