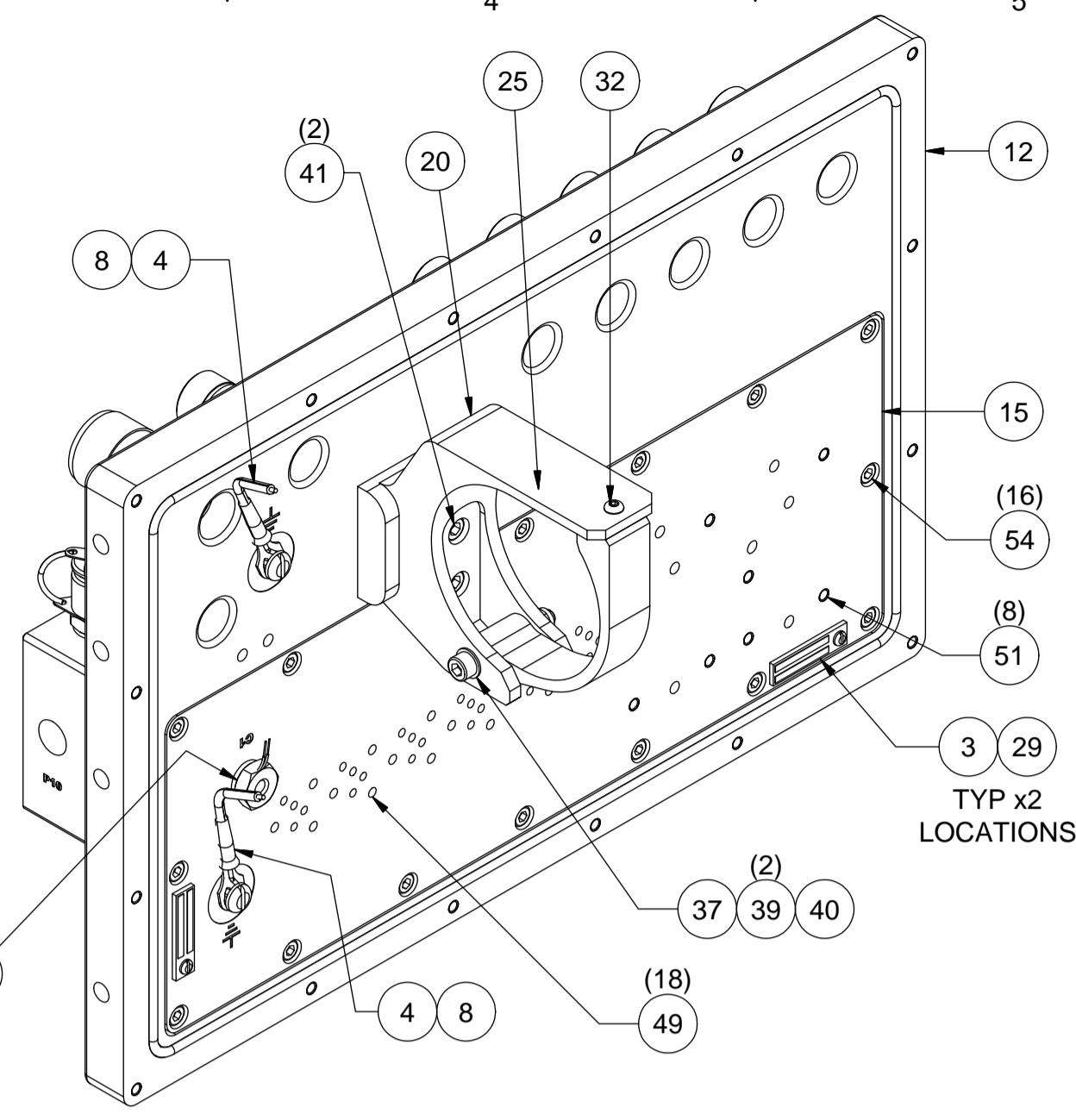
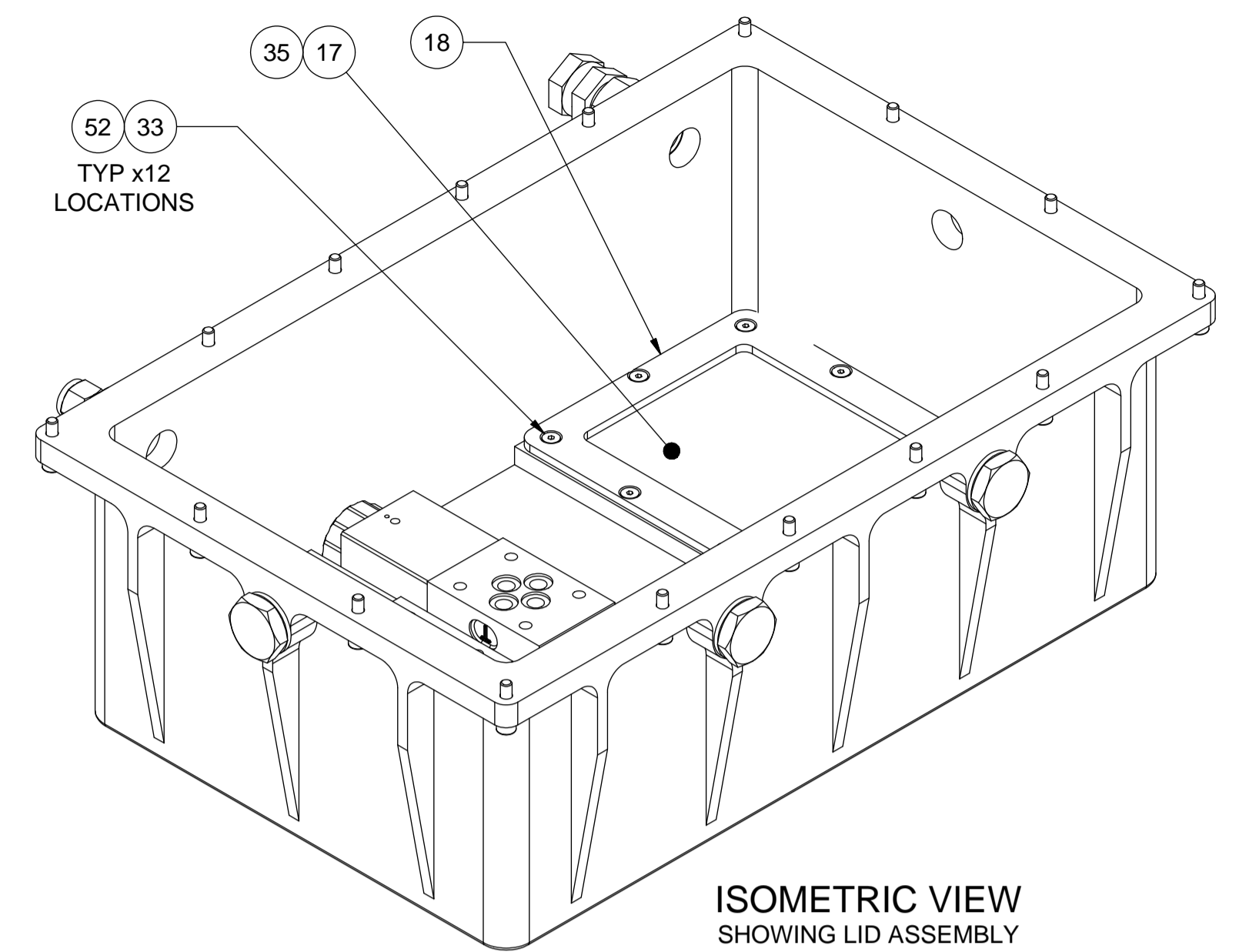
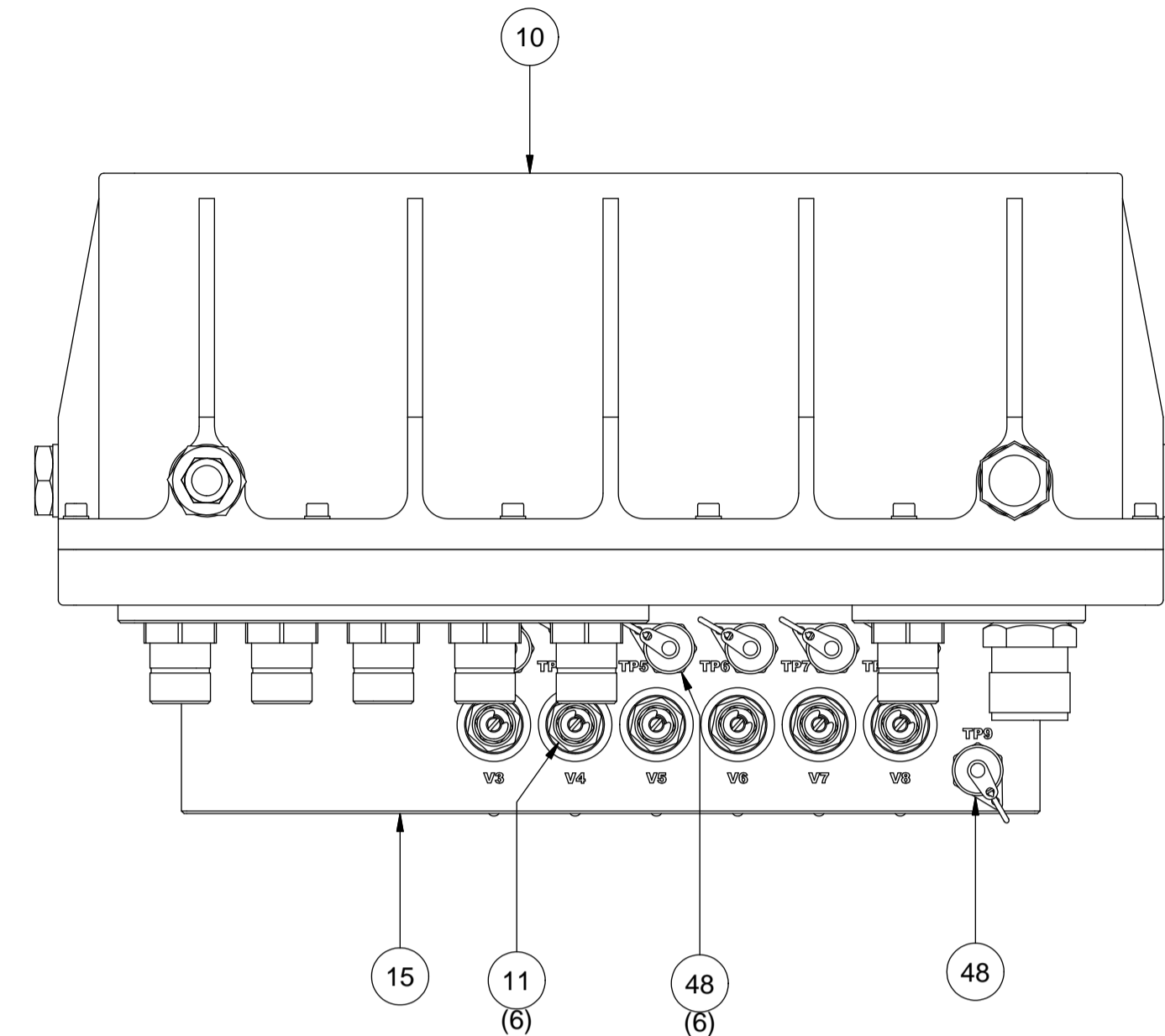


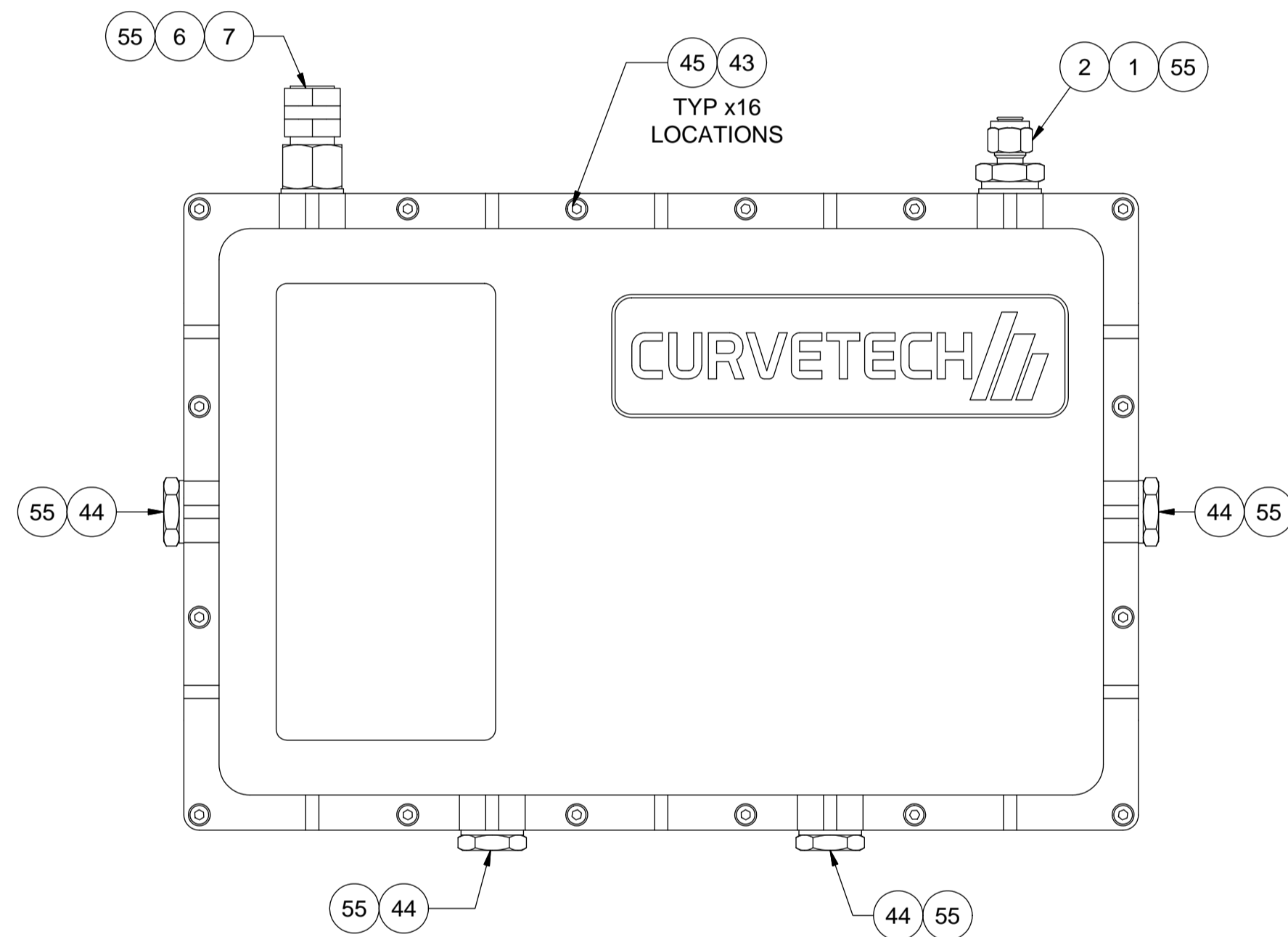
**ISOMETRIC VIEW  
LID REMOVED**



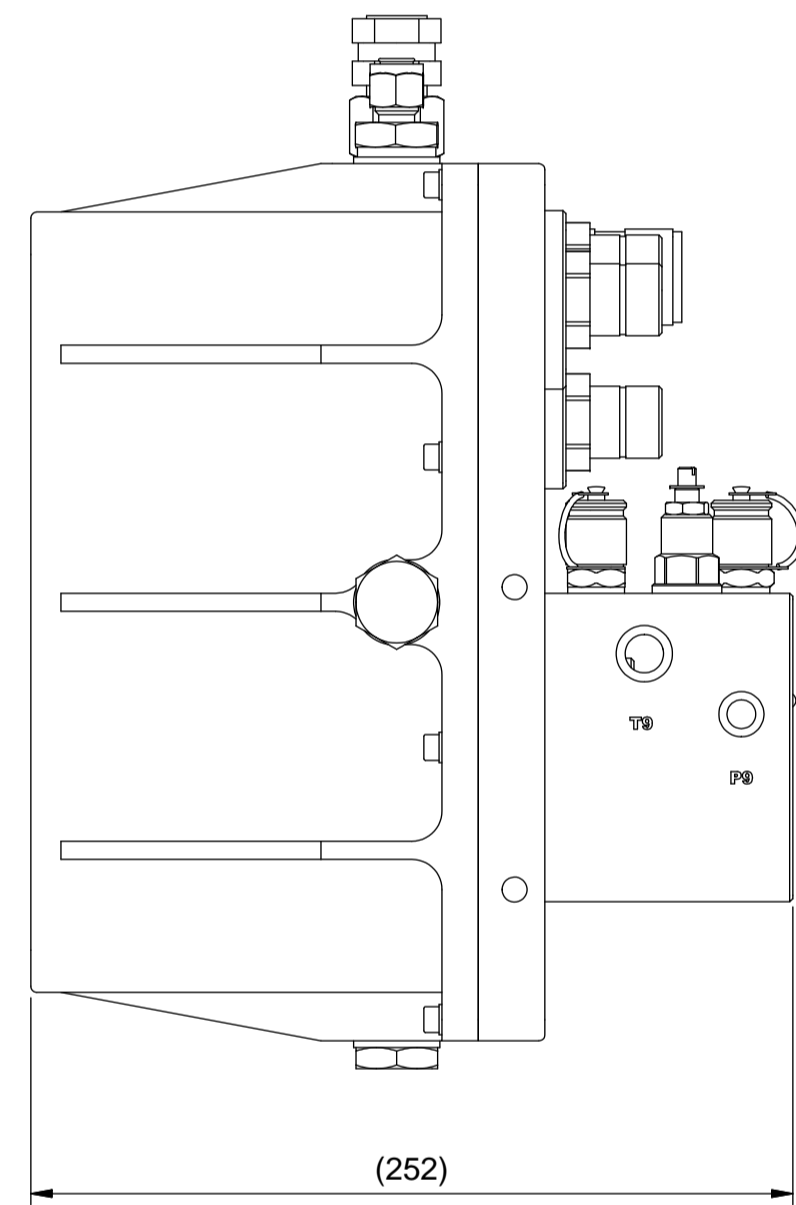
**ISOMETRIC VIEW  
COVER AND VALVES REMOVED  
SHOWING MANIFOLD CONNECTION  
TO SEALING COVERPLATE**



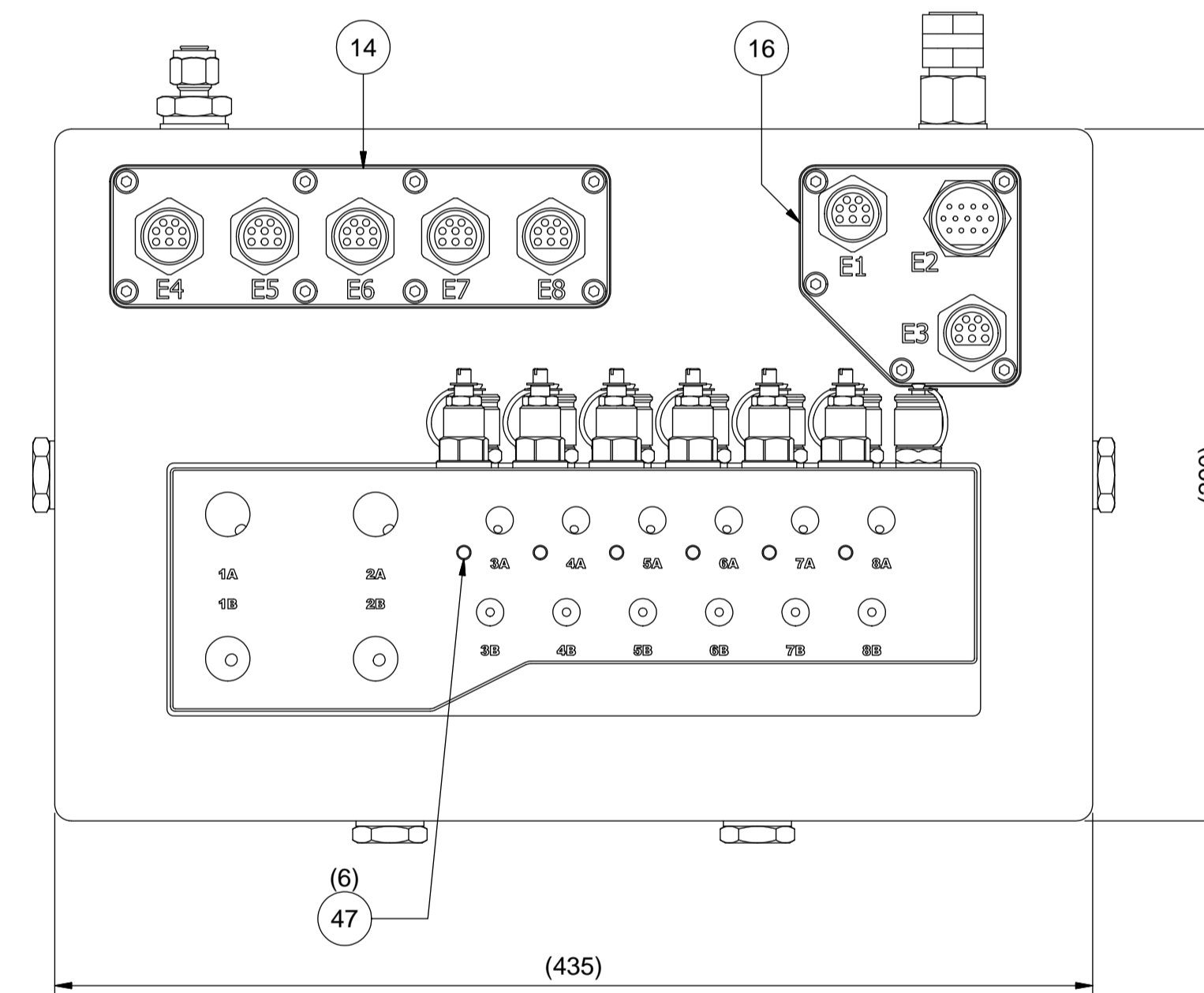
**ISOMETRIC VIEW  
SHOWING LID ASSEMBLY**



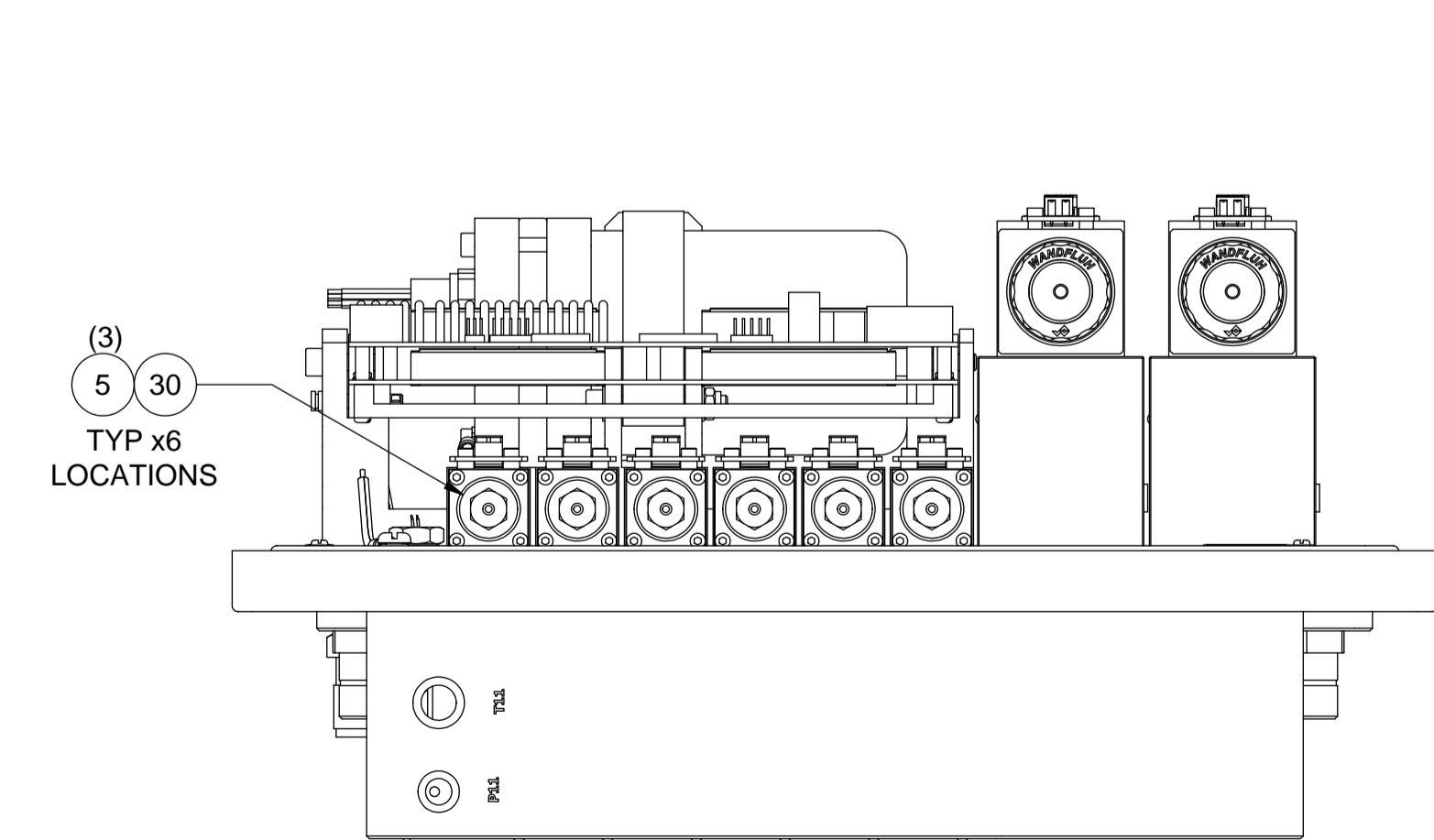
**SIDE VIEW  
LID REMOVED**



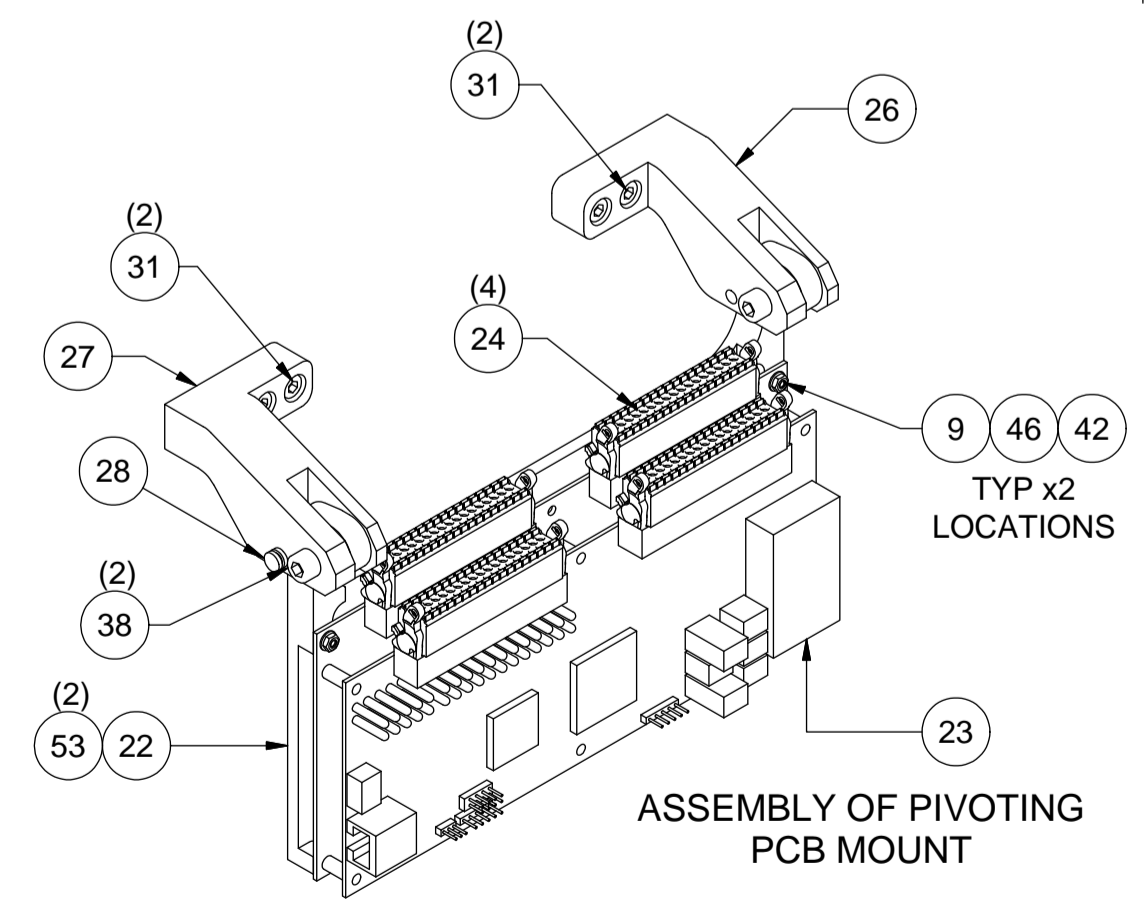
**ISOMETRIC VIEW  
COVER AND MANIFOLD REMOVED**



**ASSEMBLY OF PIVOTING  
PCB MOUNT**



**TYP x6  
LOCATIONS**



**TYP x2  
LOCATIONS**

PARTS LIST			
ITEM	PART No	DESCRIPTION	QTY
1	AA3214	PLUG 3/8" SWAGelok SS	1
2	AA5488	CONNECTOR MALE 1/2"BSP x 3/8" TUBE SS	1
3	AA9979	PCB WATER INGRESS SENSOR	2
4	AB0941	CABLE ACC RING CRIMP RED M6	2
5	AC3194	BOLT M4 x 35 SHCS GR8.8	18
6	AC6646	ADAPTOR 1/2" BSPP M - 1/2" NPT F	1
7	AC6652	VALVE RELIEF 15psi (1/2"NPT)	1
8	AE1504	BOLT M6 x 8 SLTD PAN HD SS A2-70	2
9	AG6755	BOLT M3 x 16 SLTD PAN HD SS A2-70	2
10	AJ1146	COVER MULTIFUNCTION VALVE PACK	1
11	AJ1342	VALVE PRESSURE REDUCING MVSPM18-350-K9	6
12	AJ1511	PLATE VALVE PACK COVER SEALING	1
13	AJ1580	HOUSING TEMPERATURE WELL	1
14	AJ2058	ASSEMBLY MFVP ELECTRICAL CONNECTORS	1
15	AJ5689	MANIFOLD MFVP	1
16	AJ5723	ASSEMBLY MFVP ELECTRICAL CONNECTORS	1
17	AJ5926	WINDOW VALVE PACK	1
18	AJ5927	PLATE WINDOW RETAINER	1
19	AJ5999	ASSEMBLY NG6 VALVE STACK MFVP	2
20	AJ6080	POD BRACKET MFVP LOWER	1
21	AJ6980	ASSEMBLY PSU POD 110Vac TO 24Vdc - 4000m	1
22	AJ7129	BRACKET SUPPORT PCB MFVP	1
23	AJ7545	PCB MULTIFUNCTION VALVE CONTROLLER	1
24	AJ7546	CONNECTOR DFMC 1,5-3,5 PHOENIX CONTACT 18 POSITIONS, 36 CONNECTIONS	4
25	AJ7549	POD BRACKET MFVP UPPER	1
26	AJ7590	POST PCB HINGED MOUNT	1
27	AJ7593	POST PCB HINGED MOUNT	1
28	AJ7605	PIN DROP NOSE 5mm DIA x 25mm WORKING LENGTH 316 SS	1
29	HRS759893	BOLT M3 x 10 SLTD PAN HD SS A2-70	2
30	IA1010	VALVE PROPORTIONAL SPOOL WDPFA03-ADB-V-5-G24-M35/209	6
31	OB_1325	BOLT M5 x 14 SHCS SS A2-70	4
32	OB_1417	BOLT M4 x 12 SKT BTN HD SS A2-70	1
33	OB_5101	BOLT M4 x 10 SKT CSK HD SS A4-80	12
34	OC_9301	TEMPERATURE PROBE PT100	1
35	OR_1040	O RING CORD 3mm	3
36	OW_1028	BONDED SEAL 1/8"BSPP SS	1
37	PA0078	NUT M6 NYLOC SS A2-70	1
38	PA0192	BOLT M6 x 25 SHCS SS A2-70	2
39	PA0546	WASHER M6 FLAT BS4320 FORM B SS A2	2
40	PA4705	BOLT M6 x 45 SHCS SS A2-70	1
41	PA4774	BOLT M6 x 30 SHCS SS A2-70	2
42	PA4812	WASHER M3 FLAT BS4320 FORM A SS A2	2
43	PA4892	WASHER M5 FLAT BS4320 FORM A SS A2	16
44	PB1126	FITTING PLUG 1/2" BSP HEX SS	4
45	PC0228	BOLT M5 x 20 SHCS SS A2-70	16
46	PC7718	NUT M3 SS A2-70	2
47	PD0360	BLANK KOENIG 6mm	6
48	PD3852	TEST POINT 1/4" BSP SS	7
49	PD5644	HELICOIL INSERT M6x1D SS	2
50	PD5647	INSERT HELICOIL M5 x 1D SS	49
51	PD5649	HELICOIL INSERT M5x2D SS	8
52	PD5650	INSERT HELICOIL M4 x 2D SS	30
53	PD8585	BOLT M3 x 12 SLTD PAN HD SS A2-70	2
54	WA0348	BOLT M5 x 10 SHCS SS A2-70	16
55	WA1079	SEAL BONDED 1/2"BSP SS-1.4436 (316S33) SELF CENTERING NBR90	6

**NOTES :-**

1. ASSEMBLE IN ACCORDANCE WITH SMD SPECIFICATION SMDW100
2. REFER TO DRAWING AJ7586 FOR WIRING.

REV	DATE	CHANGE COMMENT	ZONE	DRAWN	CHECKED	APPD	DATE	EST. MASS	DIMENSIONS	SCALE	PROJECTION 3RD	TITLE
1	10 MAY 16	MANIFOLD AJ5689 ETCHINGS HAVE CHANGED, NOTE 2 ADDED	VAR.	PIB	NRC	NRC	26/04/16	N/A	mm	1:2.5	⊙	ASSEMBLY MULTI-FUNCTION VALVE PACK
2	31 OCT 16	PCB MISSING FROM BOM	VAR.	PIB	NRC	NRC						

DESIGNED	DRAWN	TOLERANCES UNLESS OTHERWISE STATED	MATERIAL:-
PIB	LO	DIMENSIONS mm	N/A
CHECKED	APPROVED	FABRICATION	DO NOT SCALE
DAK	NRC	MACHINED PART	IF IN DOUBT ASK

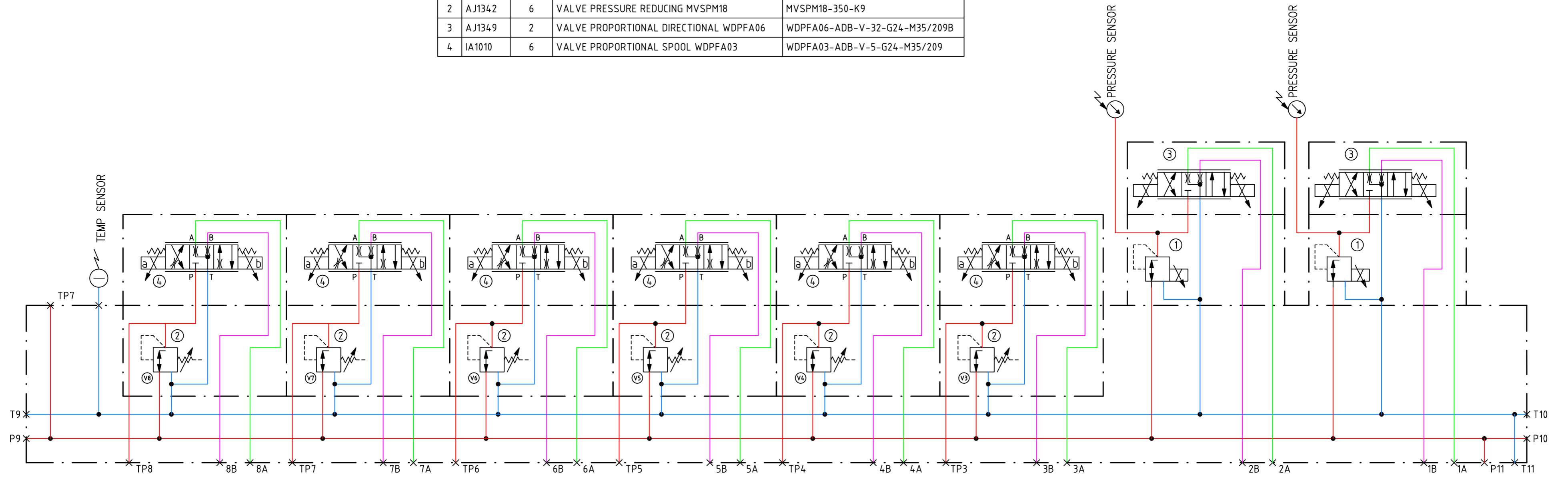
  

DRAWING No	REV No.	SIZE
AJ5688	2	A1

SHEET 1 OF 2

ALL INTELLECTUAL PROPERTY RIGHTS SUBSISTING IN THESE DESIGNS ARE THE PROPERTY OF SOIL MACHINE DYNAMICS LTD.  
NO COPY IS TO BE MADE WITHOUT THE WRITTEN PERMISSION OF SOIL MACHINE DYNAMICS LTD. ANY PATENT APPLICATIONS,  
PATENTS AND/OR DESIGN APPLICATIONS, REGISTERED DESIGNS, DESIGN RIGHTS OR COPYRIGHT ARISING FROM OR CONTAINED IN THE  
DESIGNS ARE THE PROPERTY OF SOIL MACHINE DYNAMICS LTD. AND ALL INFORMATION MUST BE HELD IN THE STRICTEST CONFIDENCE

ID	P/N	QTY	Description	Manufacturers Ref
1	AJ5083	2	VALVE PROP PRESS REDUCING NG6 MQPPM22	MQPPM22-240-G24-M-M35/209B
2	AJ1342	6	VALVE PRESSURE REDUCING MVSPM18	MVSPM18-350-K9
3	AJ1349	2	VALVE PROPORTIONAL DIRECTIONAL WDPFA06	WDPFA06-ADB-V-32-G24-M35/209B
4	IA1010	6	VALVE PROPORTIONAL SPOOL WDPFA03	WDPFA03-ADB-V-5-G24-M35/209



REV No	DATE	CHANGE	ZONE	DRAWN	CHECK	APPD	DATE	EST. MASS	DIMENSIONS	SCALE	PROJECTION 3RD	TITLE		
1	09 MAY 16	ENGRAVING NUMERS CHANGED - FACE 1, NOW STARTING AT 3.	VAR.	PIB	NRC	NRC	02 NOV 15	N/A	mm	N/A		ASSEMBLY MULTI-FUNCTION VALVE PACK		
2	31 OCT 16	NO CHANGE TO THIS SHEET - SEE SHEET 1	VAR.	PIB	NRC	NRC								
							DESIGNED	DRAWN	TOLERANCES UNLESS OTHERWISE STATED					
							DAL	DAL	DIMENSION mm	UP TO 100	100 TO 300	300 TO 1000	OVER 1000	MATERIAL:-
							CHECKED	APPROVED	FABRICATION	± 1.0	± 1.5	± 2.0	± 3.0	DO NOT SCALE
							PIB	NRC	MACHINED PART	± 0.15	± 0.4	± 0.8	± 1.0	IF IN DOUBT ASK
ALL INTELLECTUAL PROPERTY RIGHTS SUBSISTING IN THESE DESIGNS ARE THE PROPERTY OF SOIL MACHINE DYNAMICS LTD. NO COPY IS TO BE MADE WITHOUT THE WRITTEN PERMISSION OF SOIL MACHINE DYNAMICS LTD. ANY PATENT APPLICATIONS, PATENTS AND/OR DESIGN APPLICATIONS, REGISTERED DESIGNS, DESIGN RIGHTS OR COPYRIGHT ARISING FROM OR CONTAINED IN THE DESIGNS ARE THE PROPERTY OF SOIL MACHINE DYNAMICS LTD AND ALL INFORMATION MUST BE HELD IN THE STRICTEST CONFIDENCE.							Soil Machine Dynamics Ltd			DRAWING NO. AJ5688		REV NO. 2	SIZE A2	
										SHEET 2 OF 2				