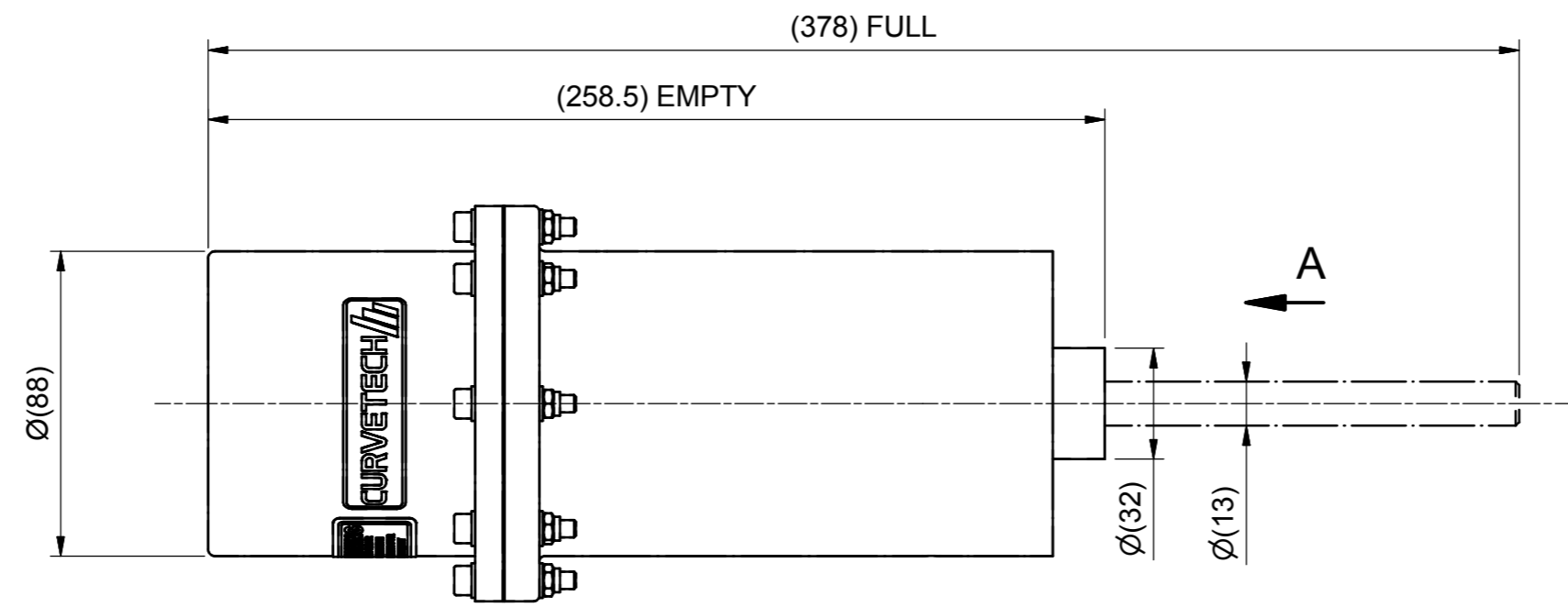
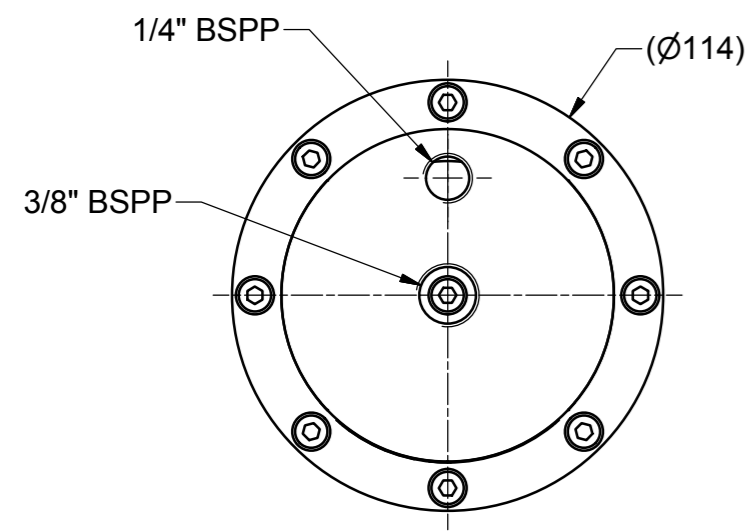
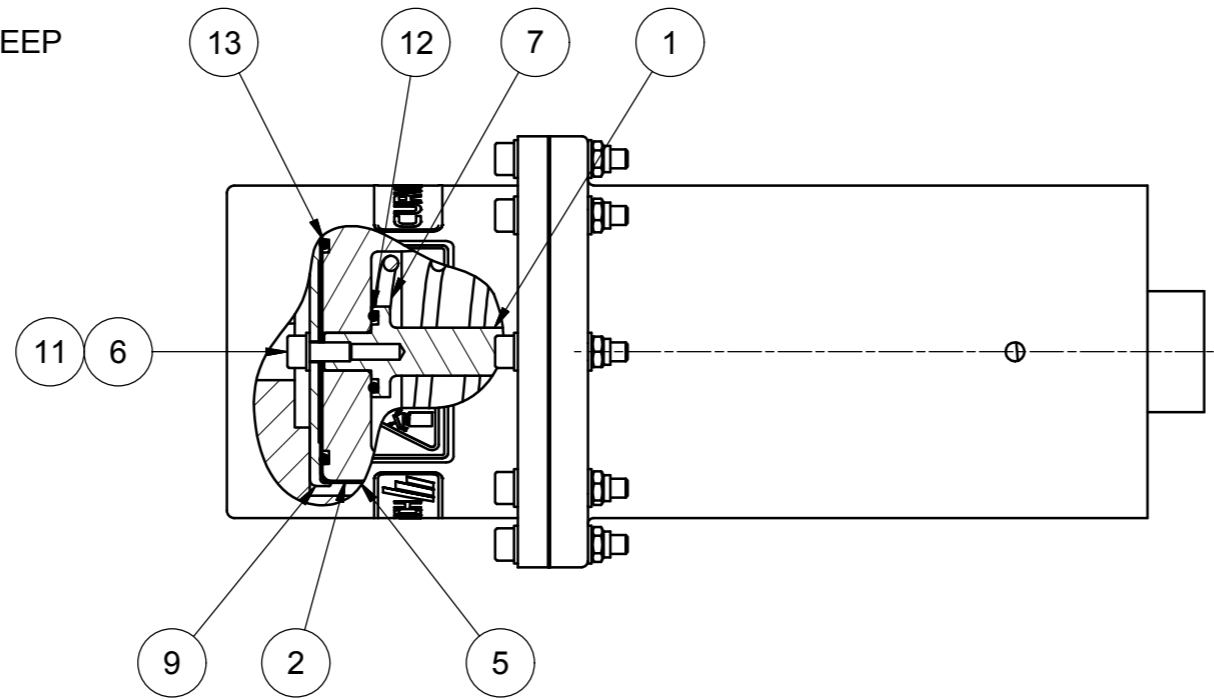
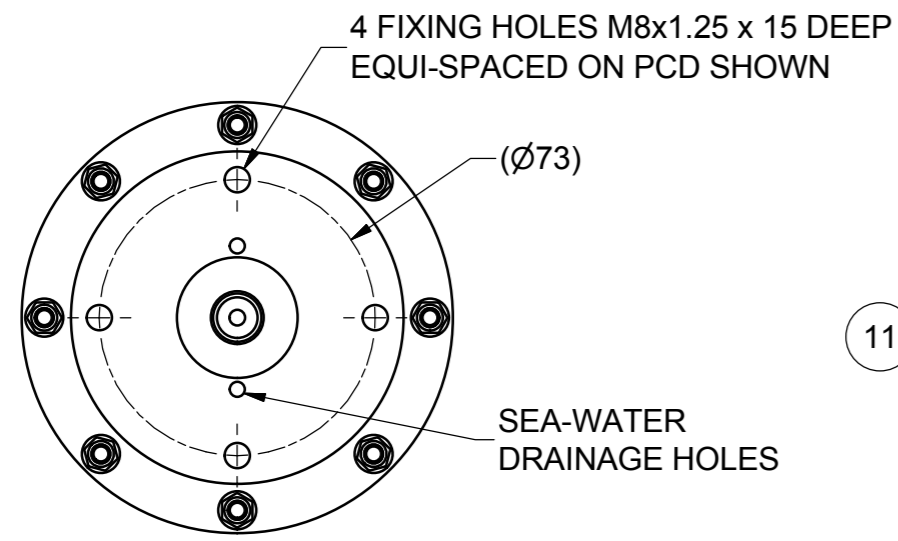


1 2 3 4 5

A
B
C
D
E



GENERAL SPECIFICATION	
ITEM	VALUE
COMPENSATION VOLUME	500ml TOTAL
OPERATING PRESSURES	0.17 bar (2.5 psi) - EMPTY 0.34 bar (5.0 psi) - FULL
MAXIMUM WORKING PRESSURE	1 bar (14.5 psi)
MAXIMUM VOLUME TO COMPENSATE @ 50°C ΔT.	9.3 l @ 1000m 7.1 l @ 3000m 5.2 l @ 6000m
WEIGHT (EMPTY)	1.8 kg IN AIR 0.9 kg IN WATER
WEIGHT (FULL)	2.2 kg IN AIR 0.9 kg in WATER
TEMPERATURE	-10°C TO + 50°C - OPERATIONAL -20°C TO + 80°C - SURVIVAL
OPERATIONAL ENVIRONMENT	MARINE, SUBSEA. DESIGNED FROM ENGINEERING PLASTICS
OPERATIONAL DEPTH	6000m+
RECOMMENDED OIL TYPES	MINERAL OILS; HEES OILS; TRANSFORMER OILS.
LEVEL INDICATORS	LEVEL SENSOR AND EMPTY ALARM AVAILABLE. SEE MANUAL FOR OPTIONS
ACCESSORIES AND ALTERNATIVE SIZES	REFER TO ITEM MANUAL FOR FURTHER INFORMATION.



- ASSEMBLY NOTES**
- ASSEMBLE IN ACCORDANCE WITH SMD SPECIFICATION SMDW100
 - TEST IN-LINE WITH SPECIFICATION SMDW242
 - FIT DIAPHRAGM DV_3007 WITH FABRIC SIDE IN CONTACT WITH WATER

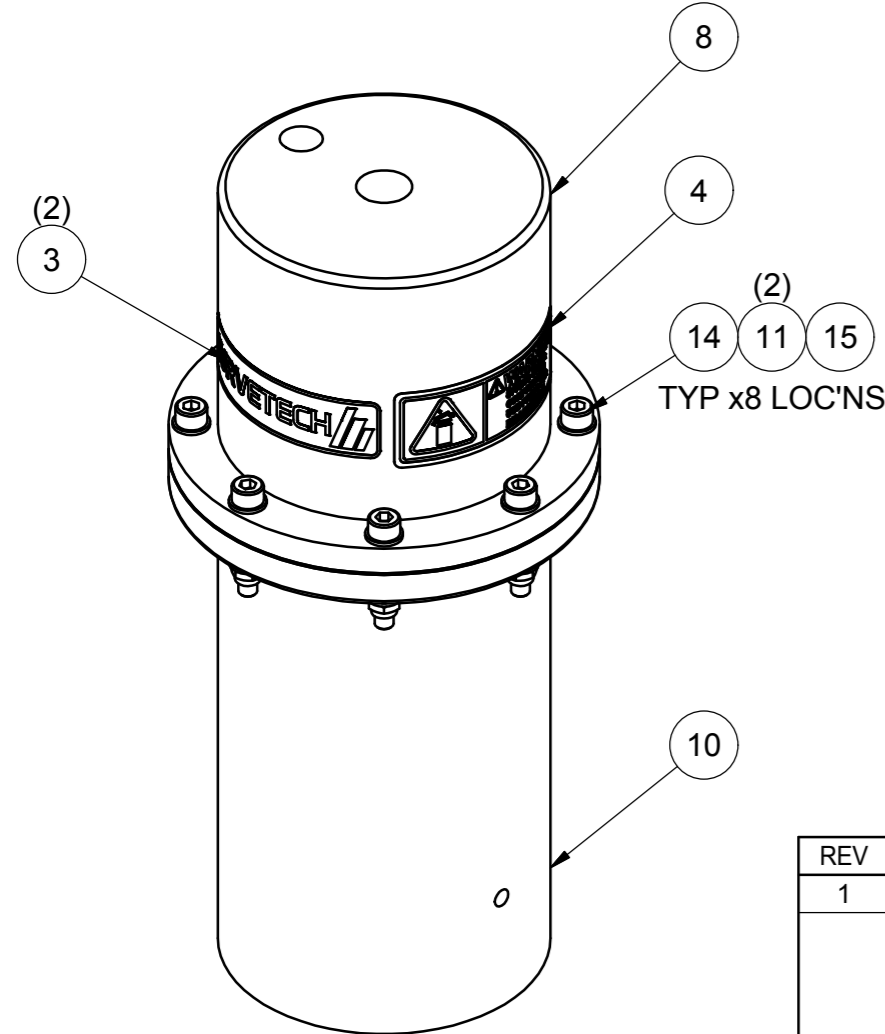
- INSTALLATION NOTES**
- ALWAYS USE A RELIEF VALVE WITHIN THE COMPENSATED SYSTEM TO PREVENT ACCIDENTAL OVER-PRESSURE OF COMPENSATED VOLUME AND / OR COMPENSATOR.
 - FOR CRITICAL APPLICATIONS MONITOR INTERNAL OIL PRESSURE TO DETERMINE COMPENSATION VOLUME REMAINING. SEE TECHNICAL MANUAL FOR MORE DETAILS

- USAGE NOTES**
- ENSURE ALL AIR IS BLED FROM SYSTEM INC. COMPENSATOR PRIOR TO DIVING
 - ENSURE COMPENSATOR IS EMPTY BEFORE OPENING COMPENSATED VOLUME

PARTS LIST			
ITEM	PART No	DESCRIPTION	QTY
1	AC9436	PISTON INDICATOR SS	1
2	AC9437	PISTON 1-PINT COMP	1
3	AJ7337	LABEL CURVETECH LOGO (WHITE ON TRANSPARENT)	2
4	AK9339	LABEL WARNING SPRING UNDER COMPRESSION	1
5	DV_3007	DIAPHRAGM 1 PINT COMPENSATOR	1
6	OB_1028	BOLT M5 X 12 SHCS SS A4-80	1
7	OV_4167-4	1 PINT SPRING 5 PSI	1
8	OV_4180-1	HOUSING 1-PINT COMPENSATOR	1
9	OV_4181-1	PLATE DIAPHRAGM SECURING	1
10	OV_4183-1	HOUSING 1-PINT COMP SPRING	1
11	PA4892	WASHER M5 FLAT BS4320 FORM A SS A2	17
12	PB5197	SEAL O-RING 16.6 x 2.4	1
13	PC3624	SEAL O-RING 54.6 x 2.4	1
14	PC9412	BOLT M5 x 30 SHCS SS A2-70	8
15	PD7552	NUT M5 NYLOC SS A2-70	8

VIEW ON ARROW A

WARNING ! DANGER OF INJURY.
CARE MUST BE TAKEN WHEN FITTING OR REMOVING SPRING.
A HYDRAULIC PRESS WITH RELEVANT SAFETY FEATURES SHOULD BE USED TO COMPRESS OR RELEASE THE SPRING.



REV	DATE	CHANGE COMMENT	ZONE	DRAWN	CHECKED	APPD	DATE	EST. MASS	DIMENSIONS	SCALE	PROJECTION 3RD	TITLE																																		
1	08/01/18	REDRAWN IN NEW FORMAT. SPEC TABLE AND NOTES ADDED.	-	LO	PM	MvZ	02 / 10 / 09	1.8 kg	mm	1:2		ASSEMBLY COMPENSATOR 1 PINT - BSP - 2.5-5.0 PSI - NO TRANSDUCER																																		
<table border="1"> <tr> <td>DESIGNED</td> <td>DRAWN</td> <td colspan="4">TOLERANCES UNLESS OTHERWISE STATED</td> <td rowspan="2">MATERIAL:- N/A</td> <td rowspan="2">DO NOT SCALE IF IN DOUBT ASK</td> <td rowspan="2">DRAWING No</td> <td rowspan="2">REV No.</td> <td rowspan="2">SIZE</td> </tr> <tr> <td>RG</td> <td>RG</td> <td>DIMENSIONS mm</td> <td>UP TO 100</td> <td>100 TO 300</td> <td>300 TO 1000</td> <td>OVER 1000</td> </tr> <tr> <td>CHECKED</td> <td>APPROVED</td> <td>FABRICATION</td> <td>± 1.0</td> <td>± 1.5</td> <td>± 2.0</td> <td>± 3.0</td> <td rowspan="2">EV_4002-8 MK2</td> <td rowspan="2">1</td> <td rowspan="2">A2</td> </tr> <tr> <td>DAL</td> <td>-</td> <td>MACHINED PART</td> <td>± 0.15</td> <td>± 0.4</td> <td>± 0.8</td> <td>± 1.0</td> </tr> </table>												DESIGNED	DRAWN	TOLERANCES UNLESS OTHERWISE STATED				MATERIAL:- N/A	DO NOT SCALE IF IN DOUBT ASK	DRAWING No	REV No.	SIZE	RG	RG	DIMENSIONS mm	UP TO 100	100 TO 300	300 TO 1000	OVER 1000	CHECKED	APPROVED	FABRICATION	± 1.0	± 1.5	± 2.0	± 3.0	EV_4002-8 MK2	1	A2	DAL	-	MACHINED PART	± 0.15	± 0.4	± 0.8	± 1.0
DESIGNED	DRAWN	TOLERANCES UNLESS OTHERWISE STATED				MATERIAL:- N/A	DO NOT SCALE IF IN DOUBT ASK	DRAWING No	REV No.	SIZE																																				
RG	RG	DIMENSIONS mm	UP TO 100	100 TO 300	300 TO 1000						OVER 1000																																			
CHECKED	APPROVED	FABRICATION	± 1.0	± 1.5	± 2.0	± 3.0	EV_4002-8 MK2	1	A2																																					
DAL	-	MACHINED PART	± 0.15	± 0.4	± 0.8	± 1.0																																								

ALL INTELLECTUAL PROPERTY RIGHTS SUBSISTING IN THESE DESIGNS ARE THE PROPERTY OF SOIL MACHINE DYNAMICS LTD. NO COPY IS TO BE MADE WITHOUT THE WRITTEN PERMISSION OF SOIL MACHINE DYNAMICS LTD. ANY PATENT APPLICATIONS, PATENTS AND / OR DESIGN APPLICATIONS, REGISTERED DESIGNS, DESIGN RIGHTS OR COPYRIGHT ARISING FROM OR CONTAINED IN THE DESIGNS ARE THE PROPERTY OF SOIL MACHINE DYNAMICS LTD. AND ALL INFORMATION MUST BE HELD IN THE STRICTEST CONFIDENCE.

SMD Soil Machine Dynamics Ltd

SHEET 1 OF 1