

1

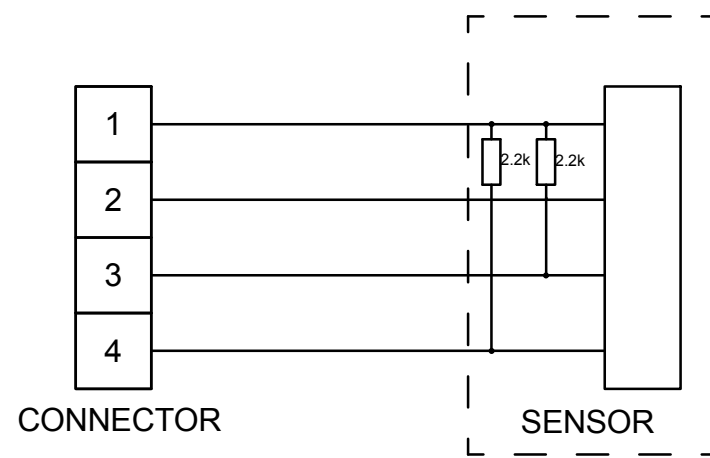
2

3

4

5

A



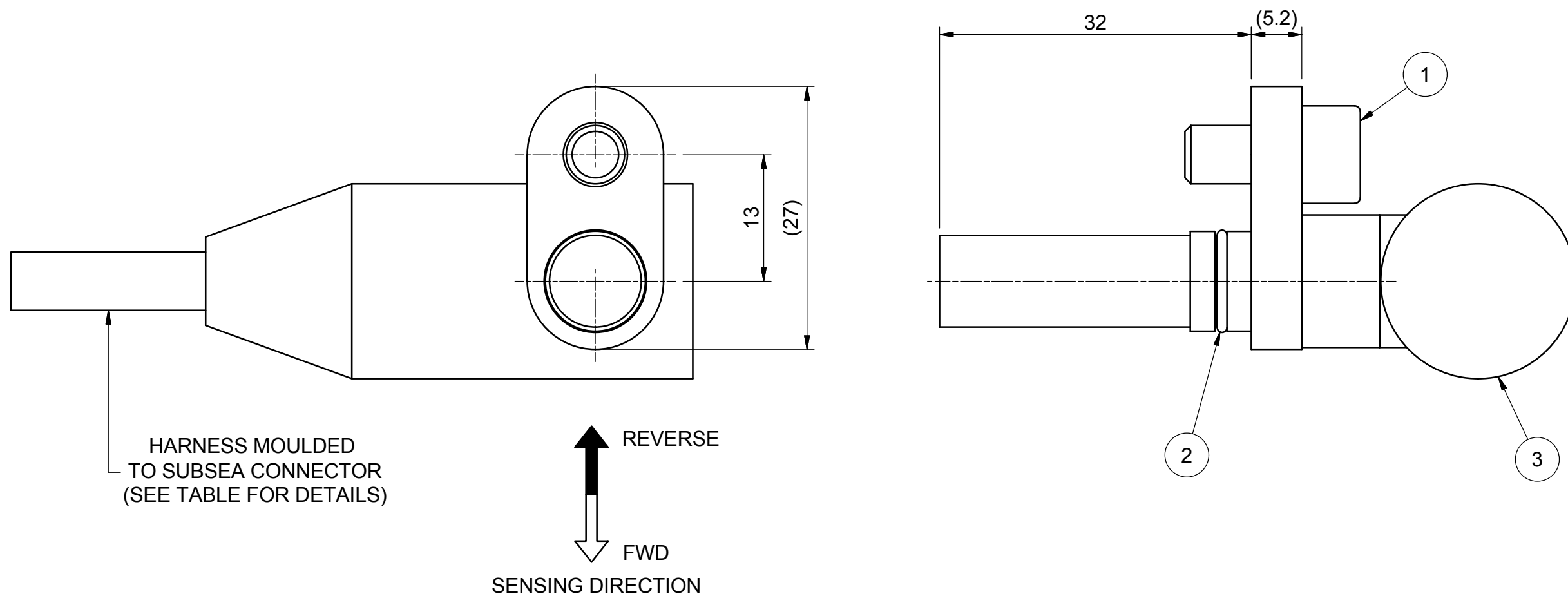
IMPULSE MCIL-4-MP & LOCKING SLEEVE (MCDLS-F)	
ITEM	VALUE
PIN 1	24V DC (4V TO 28V)
PIN 2	0V DC (GND)
PIN 3	SPEED (2 PULSES / NOTCH)
PIN 4	DIRECTION

GENERAL SPECIFICATION	
ITEM	VALUE
TYPE	HALL EFFECT SPEED SENSOR
TARGET	LOW CARBON STEEL (FERROUS METAL) PREFERABLY A NOTCHED STEEL WHEEL 5MM THICK OTHER TARGETS WILL WORK (IE. GEAR TEETH)
SENSING DISTANCE	0.5 - 1mm (DEPENDANT ON TARGET SIZE)
FREQUENCY	0-20kHz
TEMPERATURE	-10°C TO 50°C
DEPTH RATING	6000m
HOUSING	STAINLESS & PLASTIC
CURRENT DRAW	15mA @ 24V
CABLE LENGTH	1 METRE
INTERFACE	INTERFACE AS PER BOSCH REXROTH DSA SERIES 20 HALL EFFECT SPEED SENSOR. ALTERNATIVE DESIGN PACKAGES ARE AVAILABLE ON REQUEST

B

PARTS LIST			
ITEM	PART NUMBER	QTY	DESCRIPTION
1	AA6490	1	BOLT M6 x 12 SHCS SS A2-70
2	AK7054	1	SEAL O-RING 8.5 x 1 - HNBR 70 Shore A
3	AK7059	1	SENSOR SPEED DSA SERIES 12 - 32mm. 1m TAIL

C



D

NOTES

- SPECIFICATION IS PROVIDED FOR GUIDANCE. FINAL SENSING PARAMETERS AND OPERATION WILL BE DEPENDANT ON MOUNTING ARRANGEMENT AND TARGET DETAILS. TEST ADEQUATELY PRIOR TO FINAL DEPLOYMENT.
- FOR SPARES & EXTERNAL SHIPMENT BAG AND LABEL ASSEMBLY.

E

REV	DATE	CHANGE COMMENT	ZONE	DRAWN	CHECKED	APPD	DATE	EST. MASS	DIMENSIONS	SCALE	PROJECTION 3RD	TITLE			
							05/09/17	0.2 kg	mm	2:1		ASSEMBLY SPEED SENSOR DSA SERIES 12 - 32mm. 1m TAIL. IMPULSE MCIL-4-MP			
									TOLERANCES UNLESS OTHERWISE STATED						
									DIMENSIONS mm	UP TO 100	100 TO 300	300 TO 1000	OVER 1000		
									FABRICATION	± 1.0	± 1.5	± 2.0	± 3.0		
									MACHINED PART	± 0.15	± 0.4	± 0.8	± 1.0		
ALL INTELLECTUAL PROPERTY RIGHTS SUBSISTING IN THESE DESIGNS ARE THE PROPERTY OF SOIL MACHINE DYNAMICS LTD. NO COPY IS TO BE MADE WITHOUT THE WRITTEN PERMISSION OF SOIL MACHINE DYNAMICS LTD. ANY PATENT APPLICATIONS, PATENTS AND / OR DESIGN APPLICATIONS, REGISTERED DESIGNS, DESIGN RIGHTS OR COPYRIGHT ARISING FROM OR CONTAINED IN THE DESIGNS ARE THE PROPERTY OF SOIL MACHINE DYNAMICS LTD. AND ALL INFORMATION MUST BE HELD IN THE STRICTEST CONFIDENCE.												DO NOT SCALE IF IN DOUBT ASK	DRAWING No <b>AK6895</b>	REV No. <b>0</b>	SIZE <b>A2</b>
												SHEET 1 OF 1			

