

ITEM	PART No	DESCRIPTION	QTY
1	AA7773	HYD MOTOR 32CC LIGHT WEIGHT	1
2	AB0882	BLEED SCREW M6	1
3	OB_1516	BOLT M6 x 10 SKT BTN HD SS A4-80	2
4	OF_2009	PLUG 1/8" BSPP PLASTIC	1
5	ON_1015	NNUT M20 x 1.5 x 15L NYLOC SS A4-80	1
6	OR_1211	O RING BS009 (5.28 x 1.78)	4
7	OV_1110	THREAD INSERT 230/300/380	8
8	OV_3006-2	SHAFT SEAL RING HT 300/380	1
9	OV_3007	Propellor Cap HT 300/380	1
10	OV_3008	Seal Retainer HT 300/380	1
11	OV_3015	BEARING COMBINED NBX4032	1
12	OV_3016	NEEDLE BEARING HT 300/380	1
13	OV_3017	BEARING INNER RING HT300/380 SS	2
14	OV_3019	CURVETECH THRUSTER KEY 6mm SS	1
15	OV_3024	O RING HT 300/380 NITRILE	1
16	OV_3036	LIP SEAL HT 300/380	1
17	OV_3037	PTFE SEAL HT 300/380	1
18	OV_3115	INNER BEARING HT 300/380-23/32REX	1
19	OV_3116	BEARING COMBINED NBX5035Z	1
20	OV_3137	PEDESTAL HTE 380	1
21	OV_3138	KORT NOZZLE HTE 380 (390mm DIAMETER)	1
22	OV_3139	SHAFT HTE 380	1
23	OV_3140	SLEEVE THRUST BEARING RETAINER	1
24	OV_3141	LOCKING COLLAR HTE THRUSTER BEARING	1
25	OV_3142	PROPELLER HTE 380 (390mm DIAMETER)	1
26	PA4794	BOLT M6 X 40 SHCS SS A2-70	4
27	PA4860	WASHER M12 FLAT BS4320 FORM B SS A2	4
28	PA4884	WASHER M20 FLAT BS4230 FORM B SS A2	1
29	PB9185	BOLT M12 x 30 SHCS SS A4-80	4
30	PC0228	BOLT M5 x 20 SHCS SS A2-70	4
31	PC8485	BOLT M6 x 16 SKT BTN HD SS A2-70	1
32	PC9412	BOLT M5 x 30 SHCS SS	1
33	PK0219	SEAL O-RING 80.6 x 2.62	1

NOTES :-

- ASSEMBLE IN ACCORDANCE WITH SMD SPECIFICATION W100.
- CASE DRAIN - SHOULD BE 0 - 3 BAR - SIZE FITTINGS ACCORDINGLY.
- COMPENSATOR - PRESSURE SHOULD BE 0 - 1 BAR.  
BEARING HOUSING MUST BE COMPENSATED WITH HYDRAULIC OIL.  
BLEED POINT SHOULD BE POSITIONED AT HIGHEST POINT.
- A & B PORTS - MAX PRESURE 300 BAR

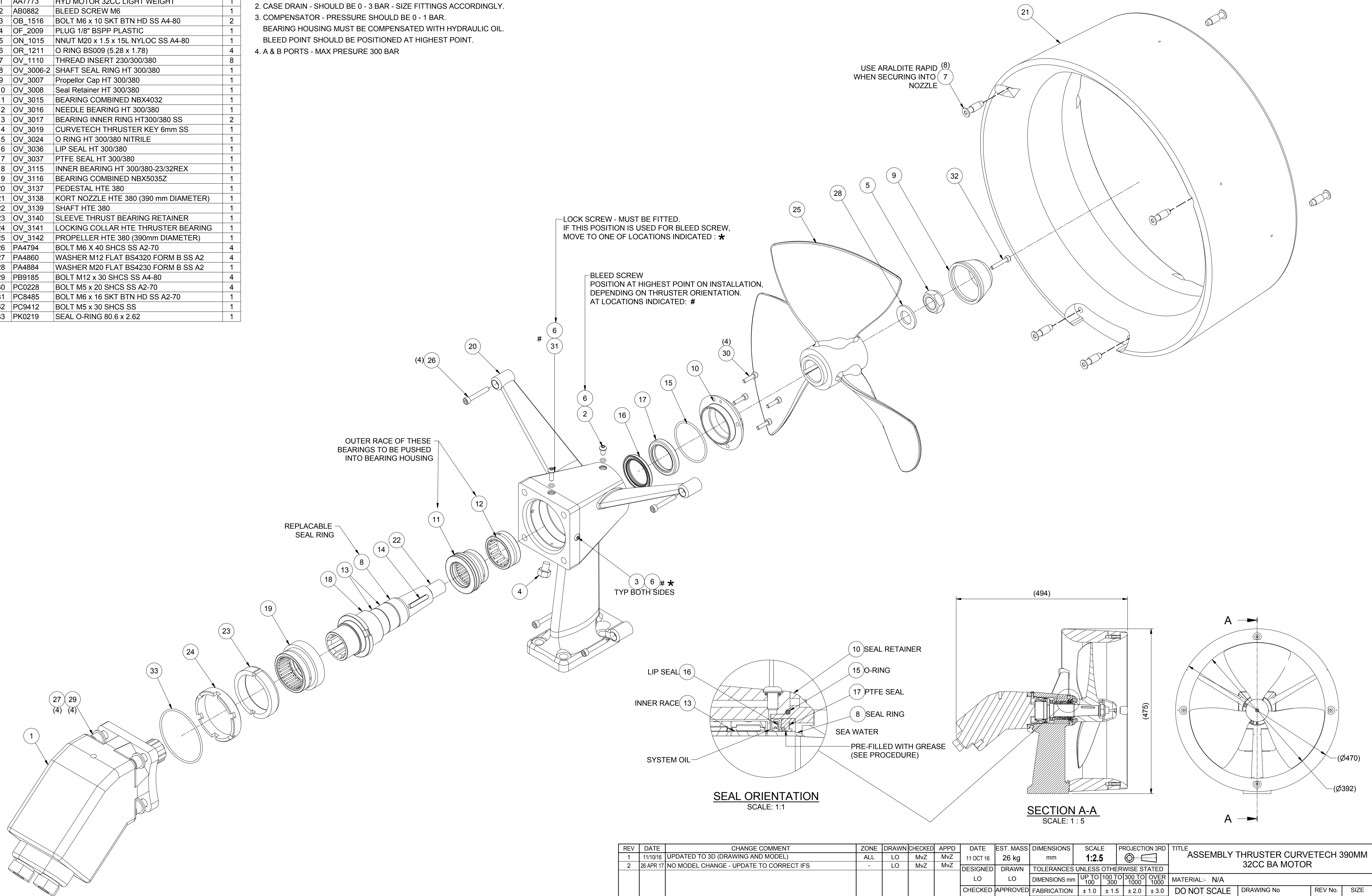
A

B

C

D

E



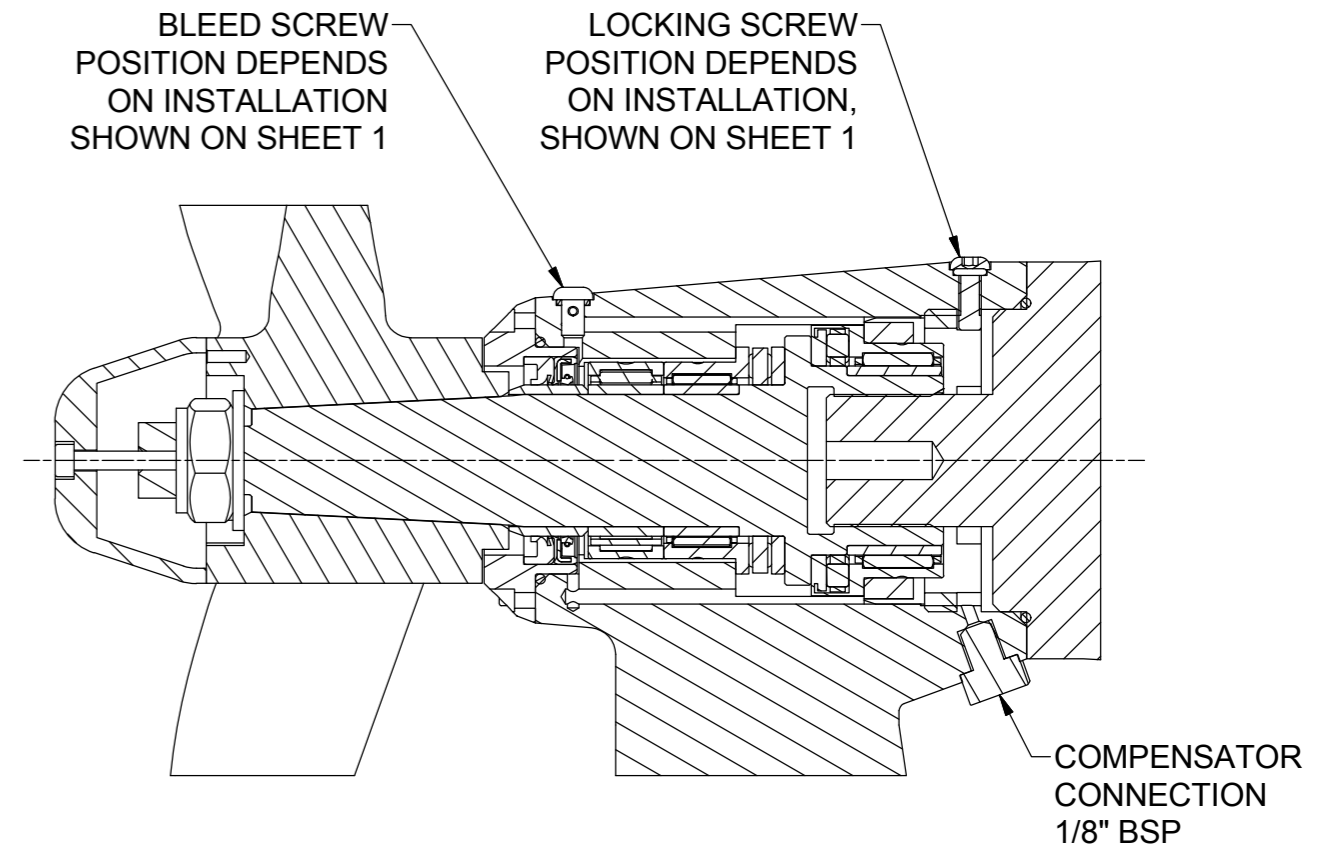
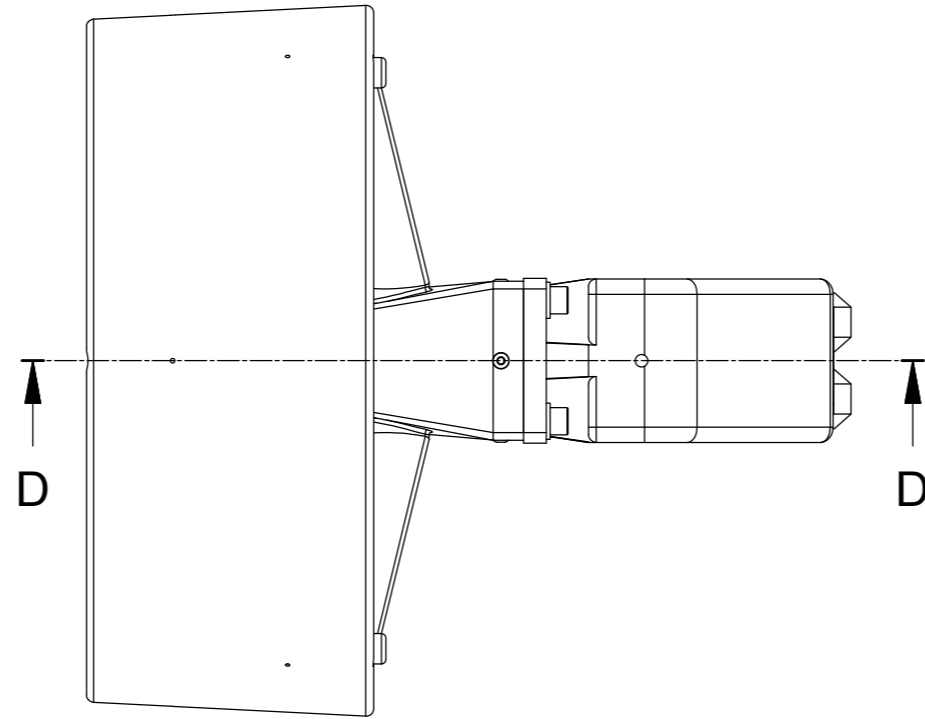
REV	DATE	CHANGE COMMENT	ZONE	DRAWN	CHECKED	APPD	DATE	EST. MASS	DIMENSIONS	SCALE	PROJECTION 3RD	TITLE	
1	11/10/16	UPDATED TO 3D (DRAWING AND MODEL)	ALL	LO	MvZ	MvZ	11 OCT 16	26 kg	mm	1:2.5		ASSEMBLY THRUSTER CURVETECH 390MM 32CC BA MOTOR	
2	26 APR 17	NO MODEL CHANGE - UPDATE TO CORRECT IFS	-	LO	MvZ	MvZ							
							DESIGNED	DRAWN	TOLERANCES UNLESS OTHERWISE STATED				
							LO	LO	DIMENSIONS mm UP TO 100 TO 300 TO 1000 OVER 1000				
							CHECKED	APPROVED	FABRICATION				
							MvZ	MvZ	MACHINED PART ± 0.15 ± 0.4 ± 0.8 ± 1.0				
							MATERIAL:- N/A			DO NOT SCALE IF IN DOUBT ASK			
							DRAWING No	REV No.	SIZE				
							HTE_390BA-32	2	A1				
							SHEET 1 OF 2						

ALL INTELLECTUAL PROPERTY RIGHTS SUBSISTING IN THESE DESIGNS ARE THE PROPERTY OF SOIL MACHINE DYNAMICS LTD. NO COPY IS TO BE MADE WITHOUT THE WRITTEN PERMISSION OF SOIL MACHINE DYNAMICS LTD. ANY PATENT APPLICATIONS, PATENTS AND / OR DESIGN APPLICATIONS, REGISTERED DESIGNS, DESIGN RIGHTS OR COPYRIGHT ARISING FROM OR CONTAINED IN THE DESIGNS ARE THE PROPERTY OF SOIL MACHINE DYNAMICS LTD. AND ALL INFORMATION MUST BE HELD IN THE STRICTEST CONFIDENCE

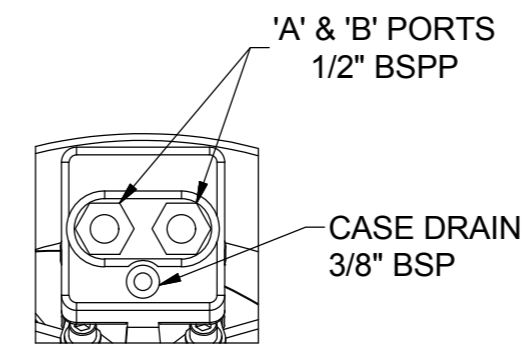
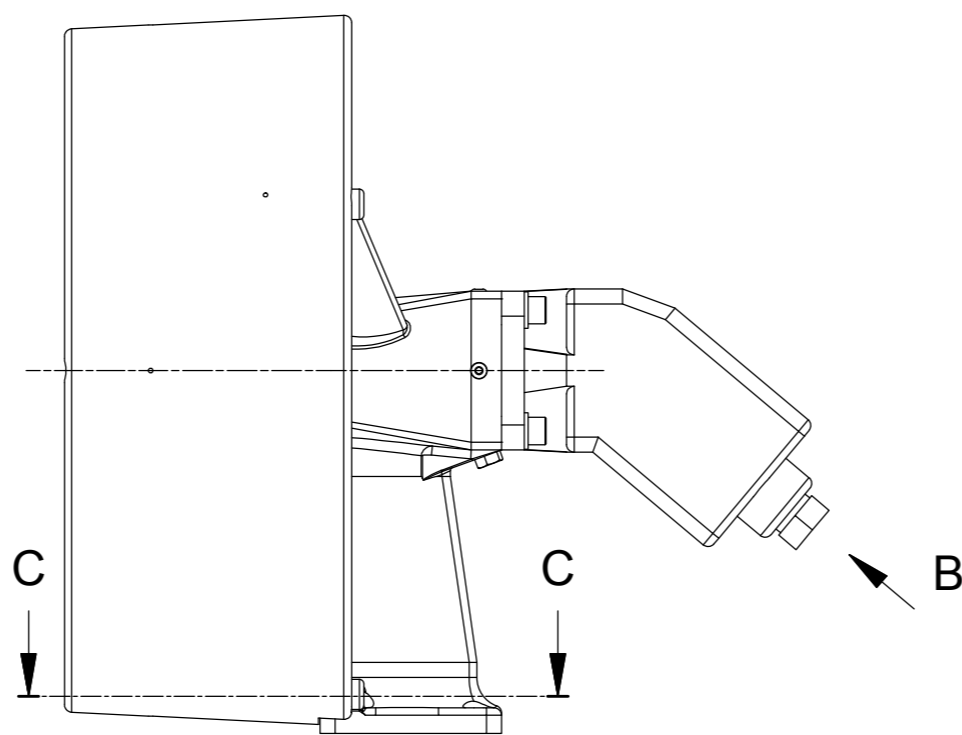
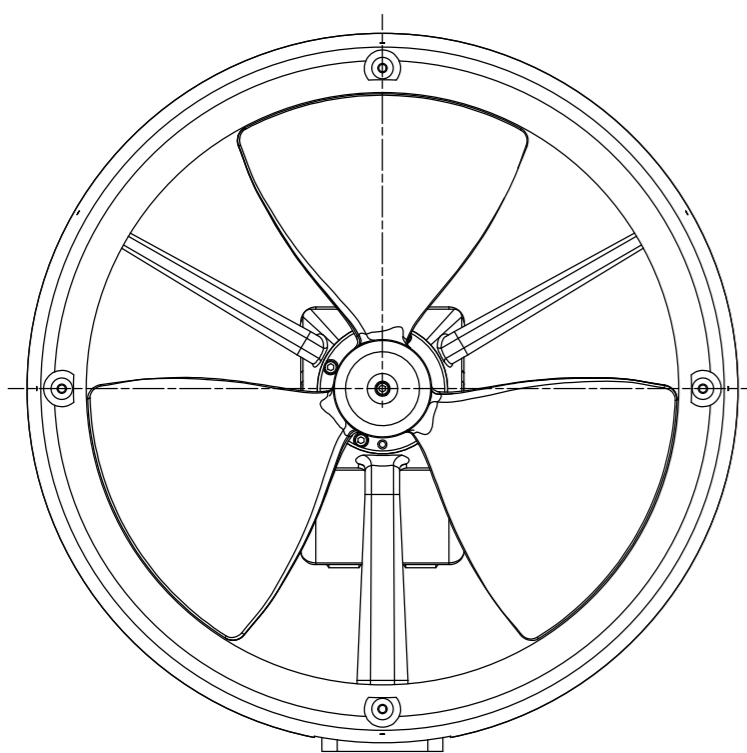
**SMD** Soil Machine Dynamics Ltd

NOTES :-

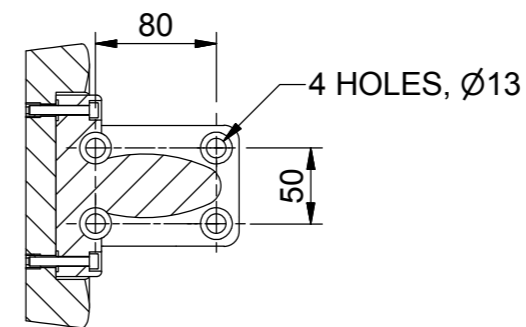
1. ASSEMBLE IN ACCORDANCE WITH SMD SPECIFICATION W100.
2. CASE DRAIN - SHOULD BE 0 - 3 BAR - SIZE FITTINGS ACCORDINGLY.
3. COMPENSATOR - PRESSURE SHOULD BE 0 - 1 BAR.  
BEARING HOUSING MUST BE COMPENSATED WITH HYDRAULIC OIL.  
BLEED POINT SHOULD BE POSITIONED AT HIGHEST POINT.
4. A & B PORTS - MAX PRESURE 300 BAR



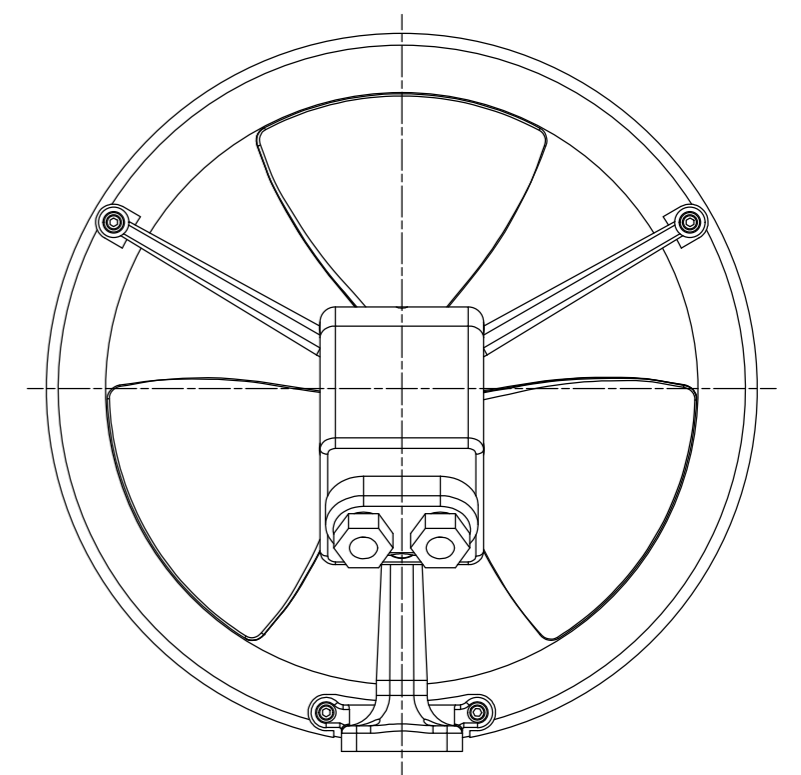
**PARTIAL SECTION D-D**  
**DETAILING SHAFT BEARING ARRANGEMENT**  
SCALE: 1 : 2



**DETAIL B**  
SCALE: 1 : 5



**PARTIAL SECTION C-C**  
**PEDESTAL MOUNTING HOLES**  
SCALE: 1 : 5



REV	DATE	CHANGE COMMENT	ZONE	DRAWN	CHECKED	APPD	DATE	EST. MASS	DIMENSIONS	SCALE	PROJECTION 3RD	TITLE		
1	11/10/16	UPDATED TO 3D (DRAWING AND MODEL)	ALL	LO	MvZ	MvZ	11 OCT 16	26.3 kg	mm	1:5		ASSEMBLY THRUSTER CURVETECH 390MM 32CC BA MOTOR		
2	26 APR 17	NO MODEL CHANGE - UPDATE TO CORRECT IFS	-	LO	MvZ	MvZ								
							DESIGNED	DRAWN	TOLERANCES UNLESS OTHERWISE STATED					
							LO	LO	DIMENSIONS mm	UP TO 100	100 TO 300	300 TO 1000	OVER 1000	MATERIAL:- N/A
							CHECKED	APPROVED	FABRICATION	± 1.0	± 1.5	± 2.0	± 3.0	DO NOT SCALE IF IN DOUBT ASK
							MvZ	MvZ	MACHINED PART	± 0.15	± 0.4	± 0.8	± 1.0	
ALL INTELLECTUAL PROPERTY RIGHTS SUBSISTING IN THESE DESIGNS ARE THE PROPERTY OF SOIL MACHINE DYNAMICS LTD. NO COPY IS TO BE MADE WITHOUT THE WRITTEN PERMISSION OF SOIL MACHINE DYNAMICS LTD. ANY PATENT APPLICATIONS, PATENTS AND / OR DESIGN APPLICATIONS, REGISTERED DESIGNS, DESIGN RIGHTS OR COPYRIGHT ARISING FROM OR CONTAINED IN THE DESIGNS ARE THE PROPERTY OF SOIL MACHINE DYNAMICS LTD. AND ALL INFORMATION MUST BE HELD IN THE STRICTEST CONFIDENCE.							<b>Soil Machine Dynamics Ltd</b>			DRAWING No <b>HTE_390BA-32</b>		REV No. <b>2</b>	SIZE <b>A2</b>	
										SHEET 2 OF 2				