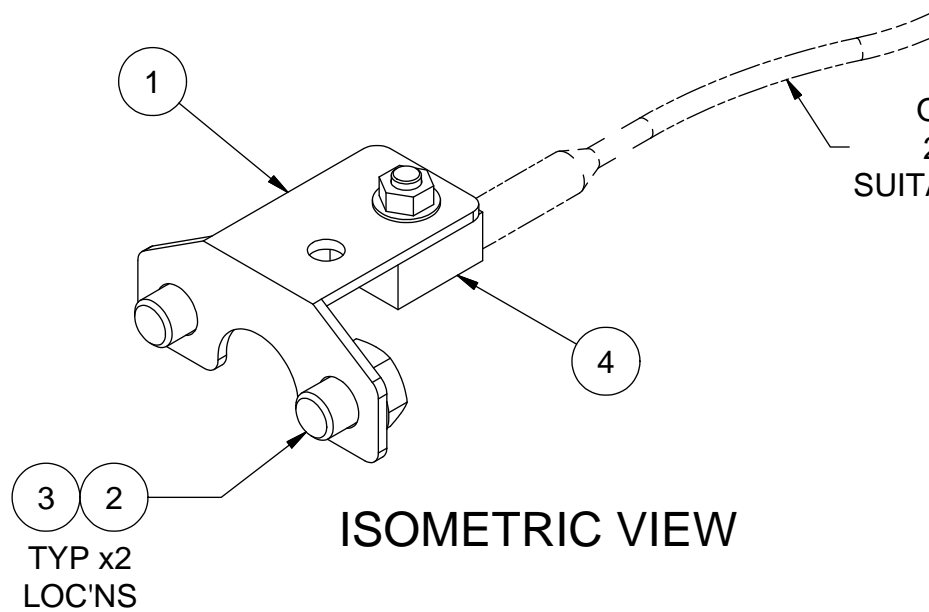
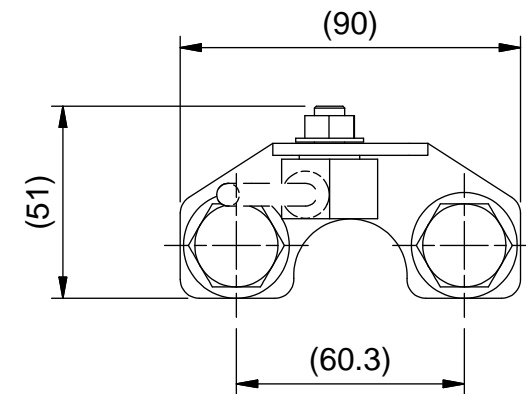
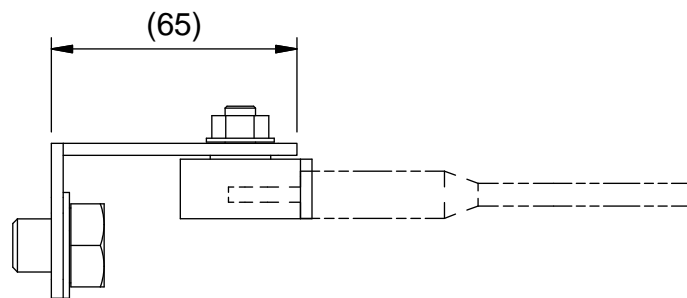


GENERAL SPECIFICATION	
ITEM	VALUE
OPERATING DEPTH	300 bar / 4350 psi
MAXIMUM VOLTAGE	200 VDC - SWITCH 115 VDC - WHIP OV_1196-1
MAX CURRENT	0.5 Amps
MAX POWER RATING	10 W
TEMPERATURE	-40°C TO +60°C
SWITCH TYPE	NORMALLY OPEN

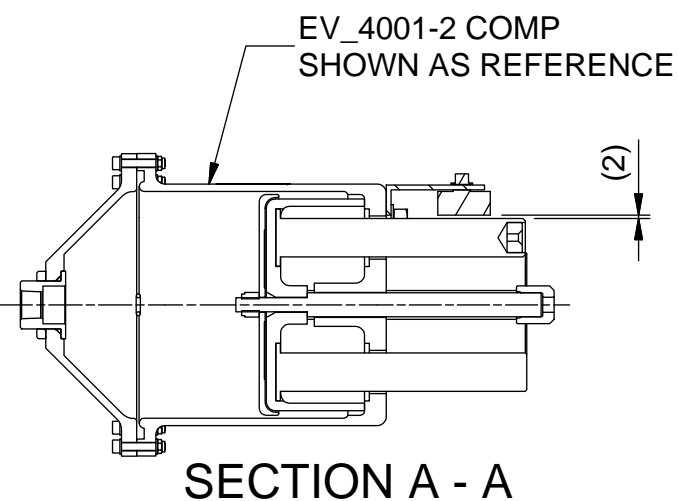


OV_1196-1 - TO BE ORDERED SEPERATELY
24" WHIP WITH FREE END AS BARE WIRES
SUITABLE FOR MOULDING TO CLIENT CONNECTOR

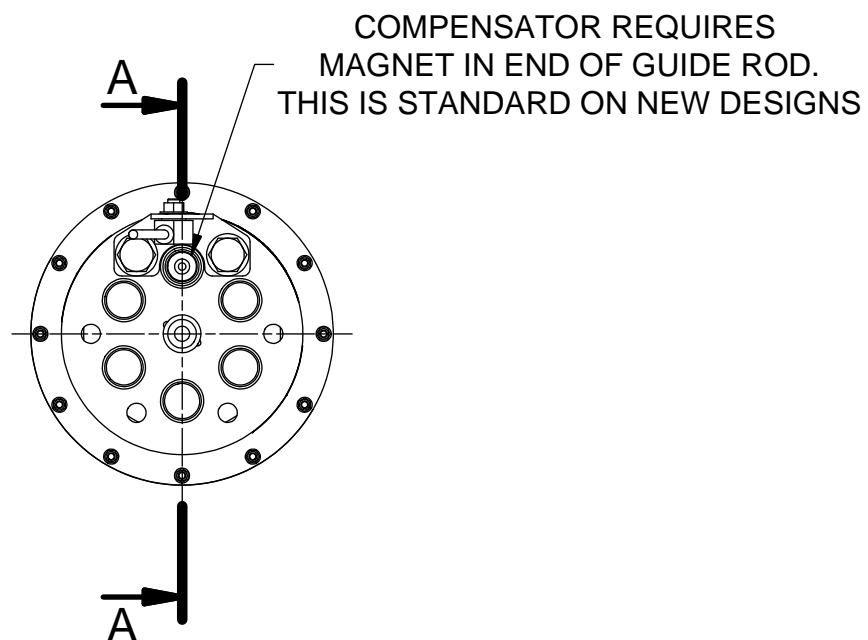


ISOMETRIC VIEW

TYP x2
LOC'NS



SECTION A - A



NOTES :-

- ASSEMBLE IN ACCORDANCE WITH SMD SPECIFICATION SMDW100

PARTS LIST			
ITEM	PART No	DESCRIPTION	QTY
1	DI_3320	BRACKET 534 COMP (2 1/2 PINT)	1
2	OB_1204	BOLT M14 x 15 HX HD SS A2-70	2
3	PB9439	WASHER M14 FLAT BS4320 FORM B SS A2	2
4	RSBH2F	REED SWITCH CONNECTOR	1

REV	DATE	CHANGE COMMENT	DRAWN	CHECKED	APPD	DATE	EST. MASS	DIMENSIONS	SCALE	PROJECTION 3RD	TITLE				
1	2 FEB 17	RE-DRAFT FROM 3D MODEL.	LO	MvZ	MvZ	16 JUL 14	0.2 kg	mm	1:2		ASSEMBLY INDICATOR KIT 2.5 PINT SCV COMP FIXED VOL POINT				
						DESIGNED DH				DRAWN DH		TOLERANCES UNLESS OTHERWISE STATED		MATERIAL:- N/A	
						CHECKED RJP		APPROVED RJP		FABRICATION		DO NOT SCALE IF IN DOUBT ASK		DRAWING No	
								MACHINED PART		UP TO 100		100 TO 300		300 TO 1000	
										± 1.0		± 1.5		± 2.0	
										± 0.15		± 0.4		± 0.8	
										± 3.0		± 1.0		REV No.	
														SIZE	
														1	
														A3	

ALL INTELLECTUAL PROPERTY RIGHTS SUBSISTING IN THESE DESIGNS ARE THE PROPERTY OF SOIL MACHINE DYNAMICS LTD. NO COPY IS TO BE MADE WITHOUT THE WRITTEN PERMISSION OF SOIL MACHINE DYNAMICS LTD. ANY PATENT APPLICATIONS, PATENTS AND / OR DESIGN APPLICATIONS, REGISTERED DESIGNS, DESIGN RIGHTS OR COPYRIGHT ARISING FROM OR CONTAINED IN THE DESIGNS ARE THE PROPERTY OF SOIL MACHINE DYNAMICS LTD. AND ALL INFORMATION MUST BE HELD IN THE STRICTEST CONFIDENCE.



EV_4011-6	1	A3
SHEET 1 OF 1		