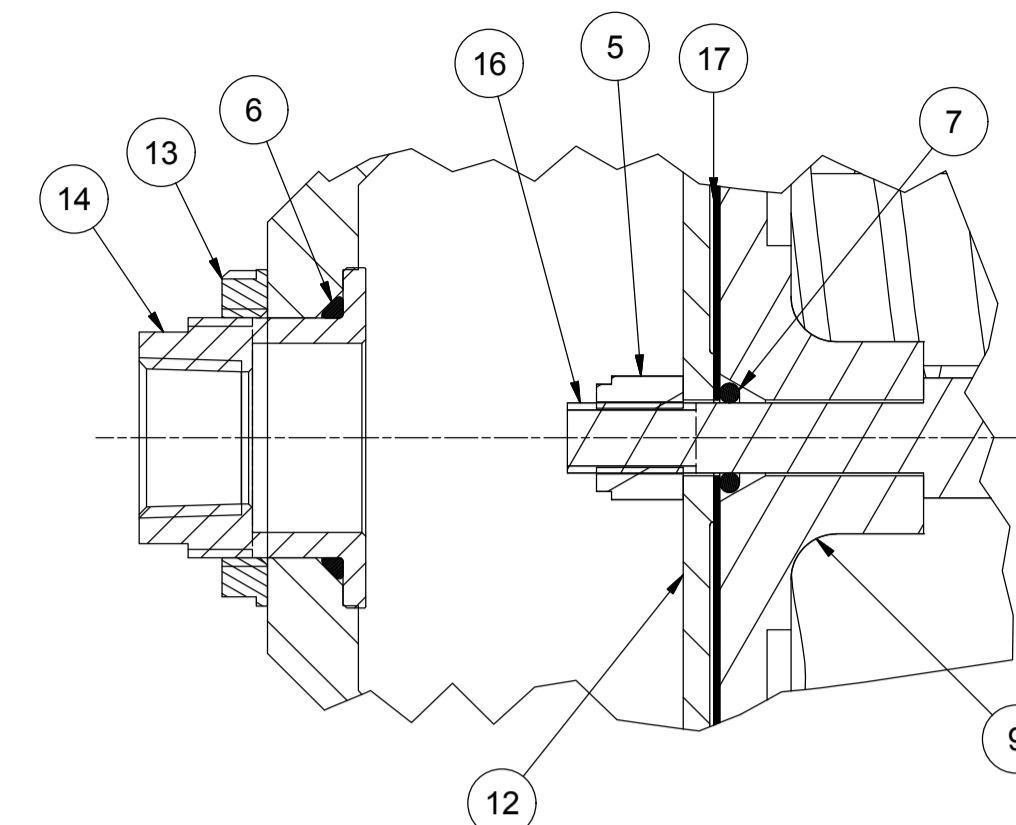
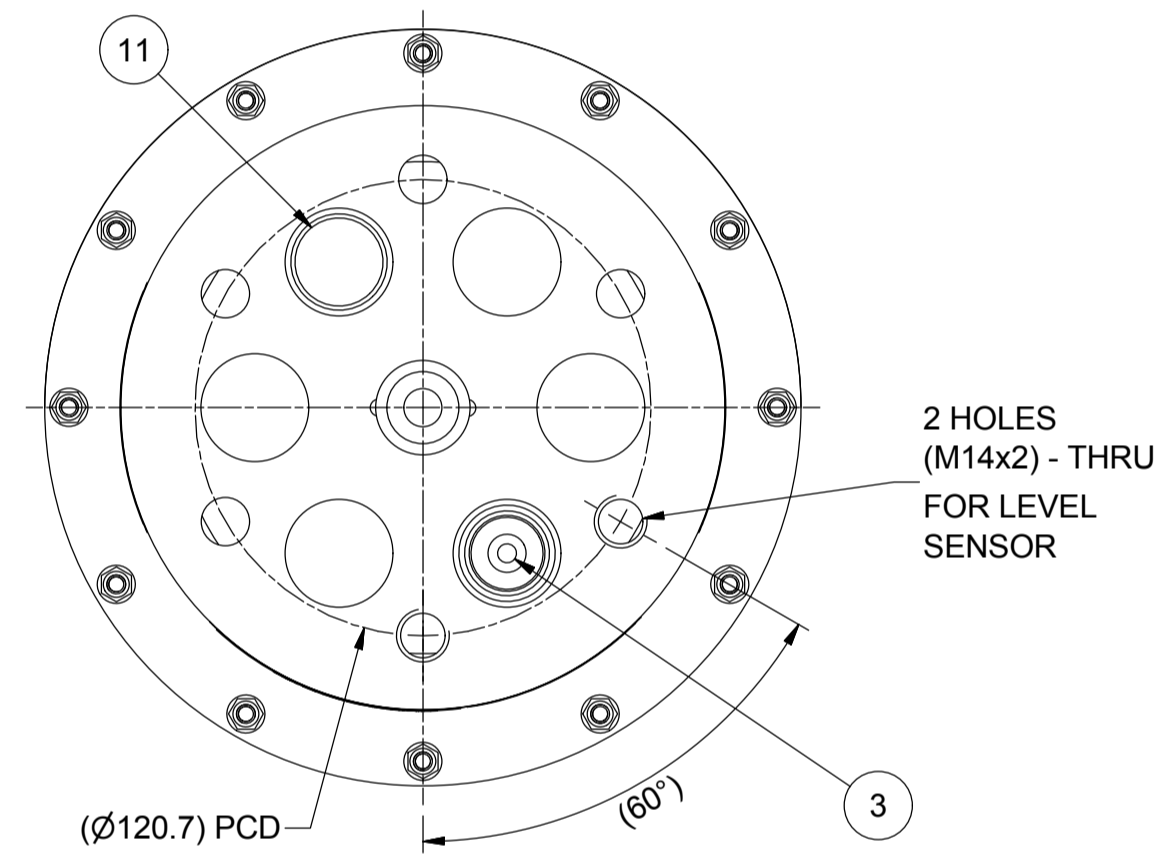
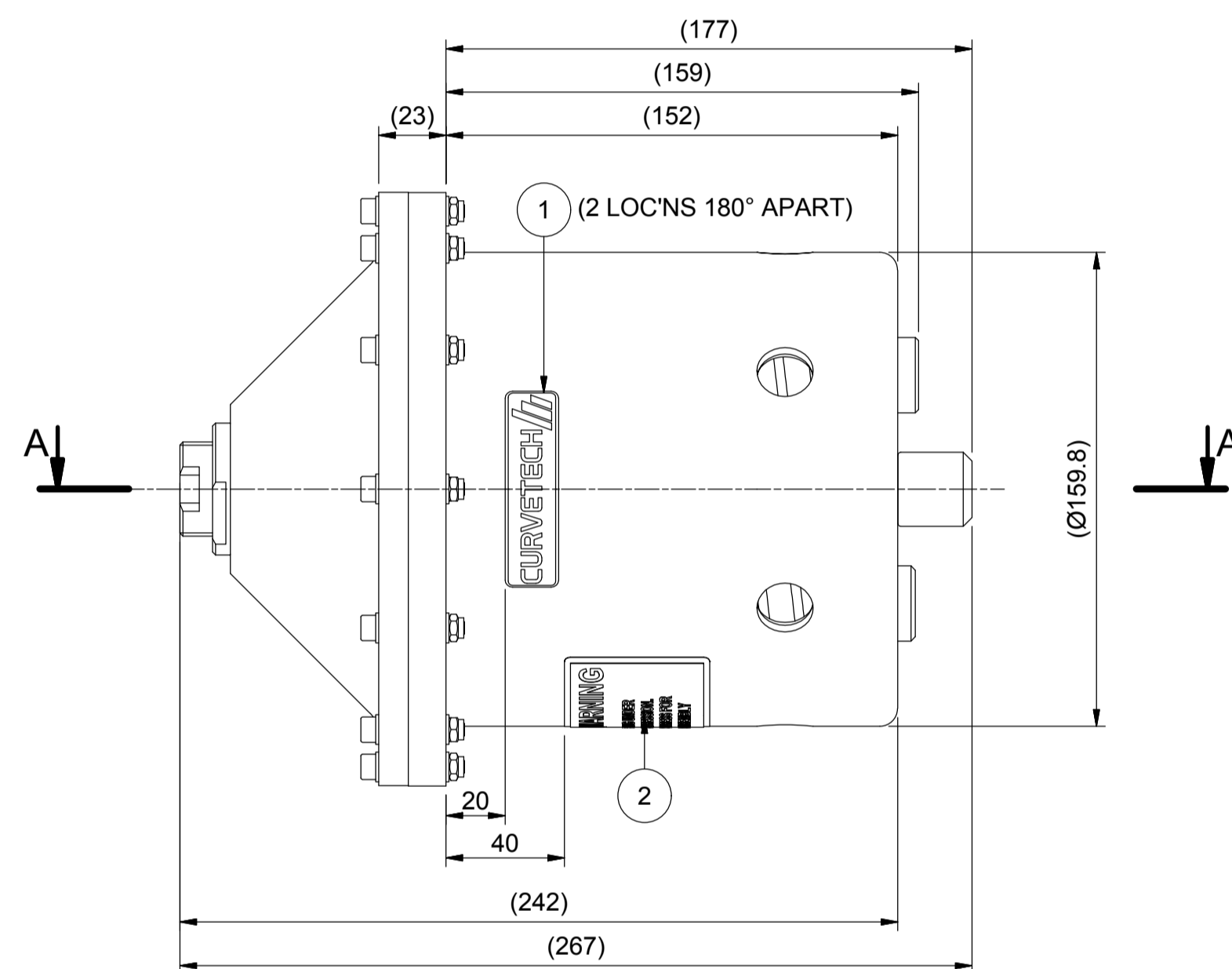
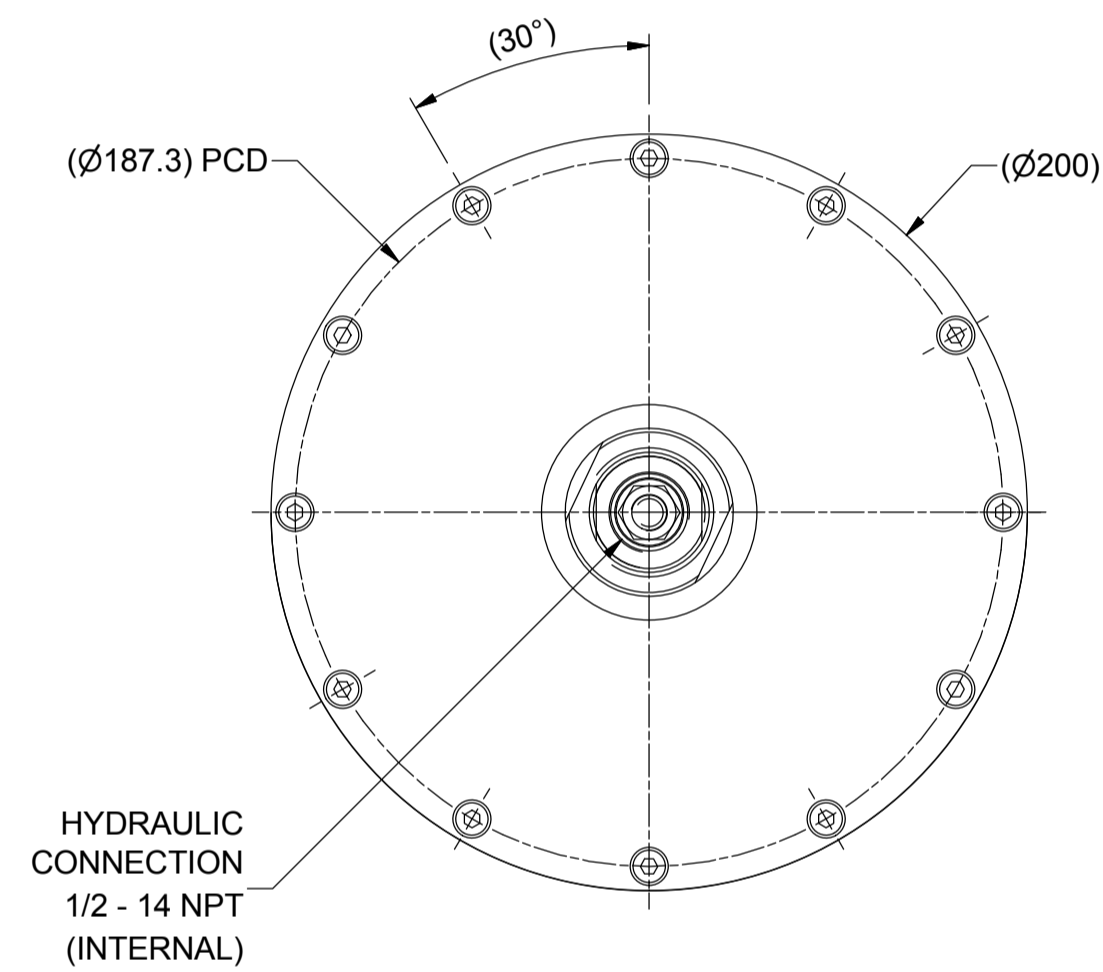


WARNING ! DANGER OF INJURY.
 CARE MUST BE TAKEN WHEN FITTING OR REMOVING SPRING.
 A HYDRAULIC PRESS WITH RELEVANT SAFETY FEATURES
 SHOULD BE USED TO COMPRESS OR RELEASE THE SPRINGS.

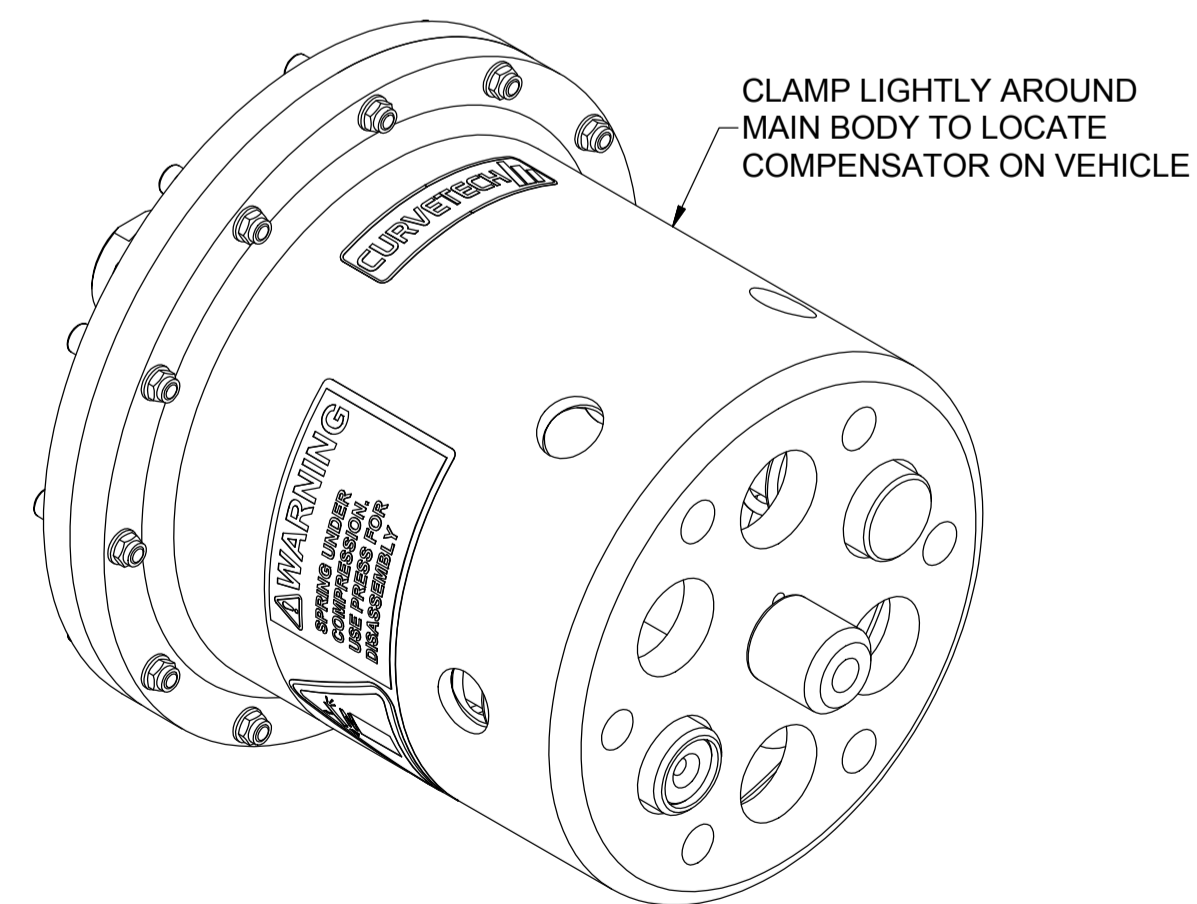


DETAIL C
SCALE 1 : 1

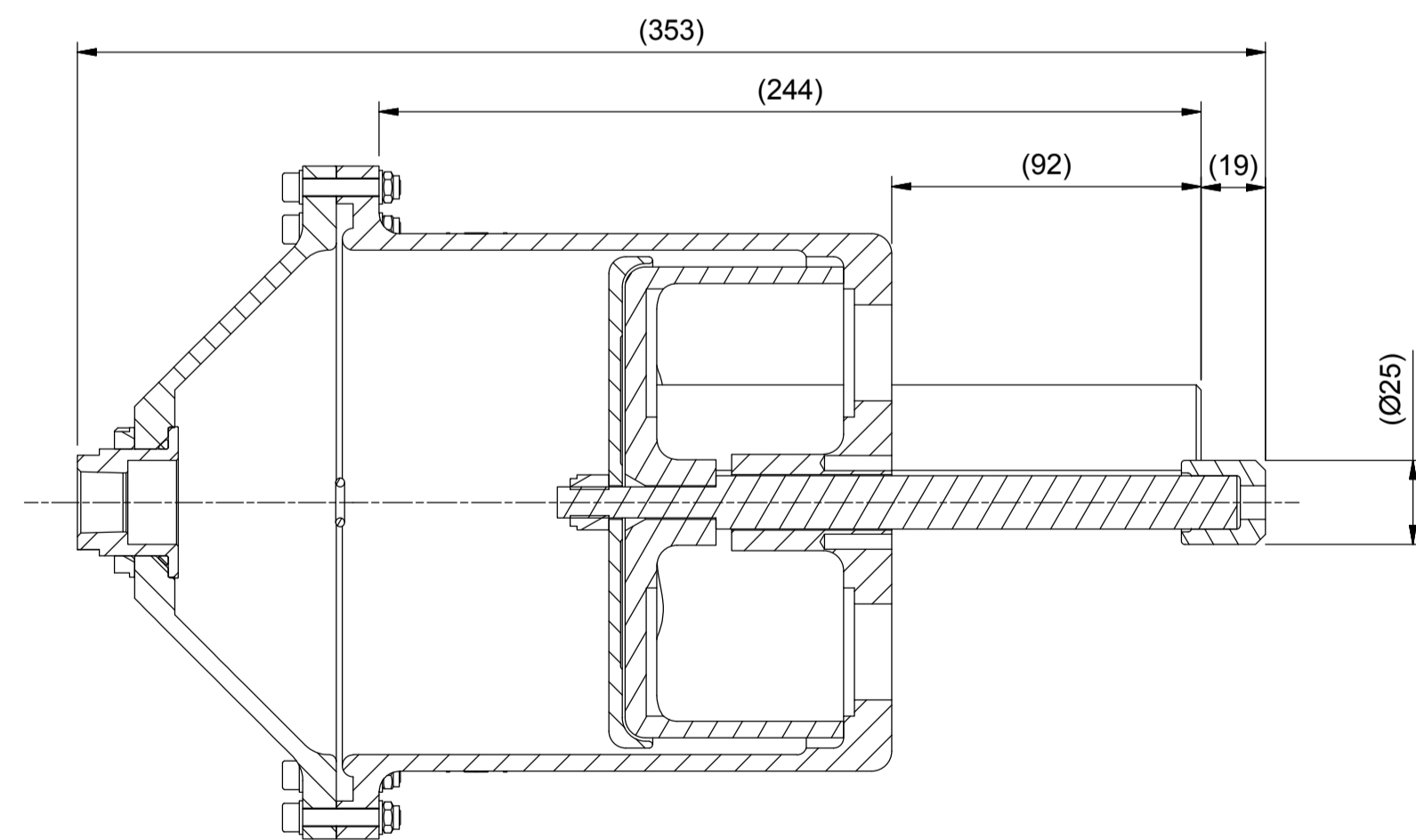


SPECIFICATION (ESTIMATE)		
WEIGHT	IN AIR	2.9 kg
	IN WATER	1.2 kg
	IN AIR WITH OIL	4.5 kg
VOLUME	IN SEA WATER WITH OIL	0.9 kg
	FULL (COMPENSATED)	1.42 Litre
PRESSURE	EMPTY (RESIDUAL)	0.43 Litre
	FULL	0.32 bar
	EMPTY	0.10 bar

- NOTES :-
1. ASSEMBLE IN ACCORDANCE WITH SMD SPECIFICATION W100.
 2. APPLY MOLYKOTE GREASE ON 'O-RINGS' & APPLY AQUALUBE GREASE TO ALL THREADS.
 3. BLANK ALL PORTS AFTER BUILD.
 4. IF IN DOUBT PLEASE ASK.



ISOMETRIC VIEW



SECTION B - B
SHOWING COMPENSATOR FULL

PARTS LIST			
ITEM	PART No	DESCRIPTION	QTY
1	AJ7205	LABEL CURVETECH LOGO (BLACK ON TRANSPARENT)	2
2	AK1872	LABEL WARNING SPRING UNDER COMPRESSION	1
3	DV_3004	COMP-534 SPRING GUIDE TUBE C/W MAGNET	1
4	DV_3005	Comp-534 Housing Modified	1
5	ON_1007	NUT 3/8"UNC NYLOC	1
6	OR_1017	O RING 124 _CHAMFER SEAL	1
7	OR_1018	O RING BS110	1
8	OV_4166	SPRING 1-5 psi	2
9	OV_4191	Compensator - 534 Piston	1
10	OV_4192	Compensator - 534 End Cap	1
11	OV_4193	SPRING GUIDE TUBE (COMP TYPE 534)	1
12	OV_4194	Compensator-534 Attachment Plate	1
13	OV_4195	LOCKING RING - 38 A/F	1
14	OV_4196	COMPENSATOR-534 ADAPTOR	1
15	OV_4197	COMPENSATOR-534 CAP	1
16	OV_4198	COMPENSATOR-534 SPINDLE	1
17	OV_4199	DIAPHRAGM 2.5L COMPENSATOR	1
18	PA4892	WASHER M5 FLAT BS4320 FORM A SS A2	24
19	PC9412	BOLT M5 x 30 SHCS SS A2-70	12
20	PD7552	NUT M5 NYLOC SS A2-70	12

REV	DATE	CHANGE COMMENT	ZONE	DRAWN	CHECKED	APPD	DATE	EST. MASS	DIMENSIONS	SCALE	PROJECTION 3RD	TITLE
1	18/07/2013	ECO-002261	ALL	DH	RJP	RJP	18/07/2013	3 kg	mm	1:5		ASSEMBLY COMPENSATOR 2.5 PINT (1.42L) - 1x1/2" NPT - 1.5-5 PSI
2	30/01/2017	REDRAWN IN 3D. DECALS AND SPEC TABLE ADDED.	ALL	LO	PM	MvZ						

DESIGNED	DRAWN	TOLERANCES UNLESS OTHERWISE STATED	MATERIAL:-
DH	DH	UP TO 100 ± 1.0	DO NOT SCALE
		100 TO 300 ± 1.5	DRAWING No
		300 TO 1000 ± 2.0	REV No.
		OVER 1000 ± 3.0	SIZE
CHECKED	APPROVED	FABRICATION ± 0.15	IF IN DOUBT ASK
RJP	RJP	MACHINED PART ± 0.4	
		± 0.8	
		± 1.0	

ALL INTELLECTUAL PROPERTY RIGHTS SUBSISTING IN THESE DESIGNS ARE THE PROPERTY OF SOIL MACHINE DYNAMICS LTD. NO COPY IS TO BE MADE WITHOUT THE WRITTEN PERMISSION OF SOIL MACHINE DYNAMICS LTD. ANY PATENT APPLICATIONS, PATENTS AND / OR DESIGN APPLICATIONS, REGISTERED DESIGNS, DESIGN RIGHTS OR COPYRIGHT ARISING FROM OR CONTAINED IN THE DESIGNS ARE THE PROPERTY OF SOIL MACHINE DYNAMICS LTD. AND ALL INFORMATION MUST BE HELD IN THE STRICTEST CONFIDENCE