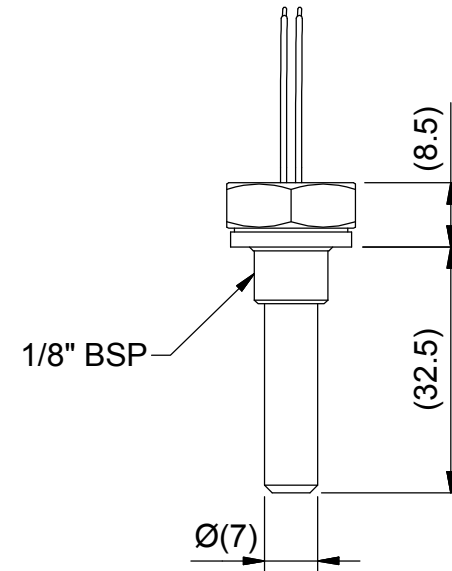
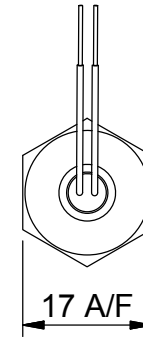
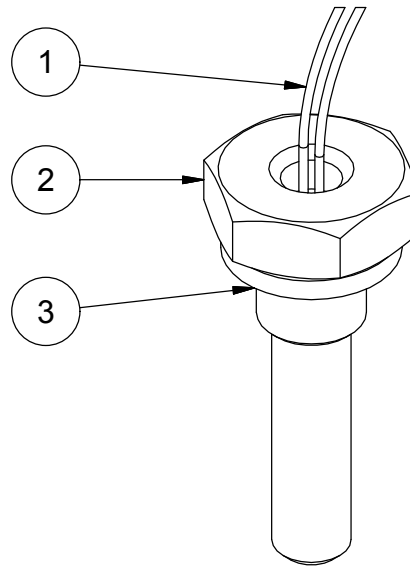


PARTS LIST			
ITEM	QTY	PART No	DESCRIPTION
1	1	OC_9301	TEMPERATURE PROBE PT100
2	1	DI_3412	TEMPERATURE WELL
3	1	WA1076	SEAL BONDED 1/8" BSP SS-1.4436 (316S33) SELF CENTERING NBR90

PROBE SPECIFICATION	
ITEM	VALUE
SENSOR TYPE	PT100
MINIMUM TEMPERATURE	-50°C
MAXIMUM TEMPERATURE	+250°C
TYPE	2-WIRE
TAIL LENGTH	50mm LEAD WIRE.
MAXIMUM PRESSURE	10 BAR RELATIVE
MAX. OPERATING DEPTH	6000m

NOTES:

1. ASSEMBLE TO SPECIFICATION SMDW100
2. BOND PROBE INTO WELL
3. BAG ITEM AND LABEL WITH SMD P/N AND REVISION LEVEL
4. USE WITH PT100 COMPATIBLE INPUT
5. ALTERNATIVE LENGTH WELLS ALSO AVAILABLE.
CONTACT SMD FOR MORE DETAILS.



REV	DATE	CHANGE COMMENT	DRAWN	CHECK	APPD	DATE	EST. MASS	DIMENSIONS	SCALE	PROJECTION 3RD	TITLE														
						02/02/17	0.0 kg	mm	1:1		ASSEMBLY TEMPERATURE WELL - 1/8" BSP x 32.5mm														
			DESIGNED	DRAWN	TOLERANCES UNLESS OTHERWISE STATED																				
			MvZ	MvZ	<table border="1"> <tr> <th>DIMENSIONS mm</th> <th>UP TO 100</th> <th>100 TO 300</th> <th>300 TO 1000</th> <th>OVER 1000</th> </tr> <tr> <td>FABRICATION</td> <td>± 1.0</td> <td>± 1.5</td> <td>± 2.0</td> <td>± 3.0</td> </tr> <tr> <td>MACHINED PART</td> <td>± 0.15</td> <td>± 0.4</td> <td>± 0.8</td> <td>± 1.0</td> </tr> </table>						DIMENSIONS mm	UP TO 100	100 TO 300	300 TO 1000	OVER 1000	FABRICATION	± 1.0	± 1.5	± 2.0	± 3.0	MACHINED PART	± 0.15	± 0.4	± 0.8	± 1.0
DIMENSIONS mm	UP TO 100	100 TO 300	300 TO 1000	OVER 1000																					
FABRICATION	± 1.0	± 1.5	± 2.0	± 3.0																					
MACHINED PART	± 0.15	± 0.4	± 0.8	± 1.0																					
			CHECKED	APPROVED	MATERIAL:-		DO NOT SCALE		DRAWING No	REV No.	SIZE														
			PDW	NRC	IF IN DOUBT ASK				AK1707	0	A4														
<small>ALL INTELLECTUAL PROPERTY RIGHTS SUBSISTING IN THESE DESIGNS ARE THE PROPERTY OF SOIL MACHINE DYNAMICS LTD. NO COPY IS TO BE MADE WITHOUT THE WRITTEN PERMISSION OF SOIL MACHINE DYNAMICS LTD. ANY PATENT APPLICATIONS, PATENTS AND / OR DESIGN APPLICATIONS, REGISTERED DESIGNS, DESIGN RIGHTS OR COPYRIGHT ARISING FROM OR CONTAINED IN THE DESIGNS ARE THE PROPERTY OF SOIL MACHINE DYNAMICS LTD. AND ALL INFORMATION MUST BE HELD IN THE STRICTEST CONFIDENCE.</small>						Soil Machine Dynamics Ltd			SHEET 1 OF 1																