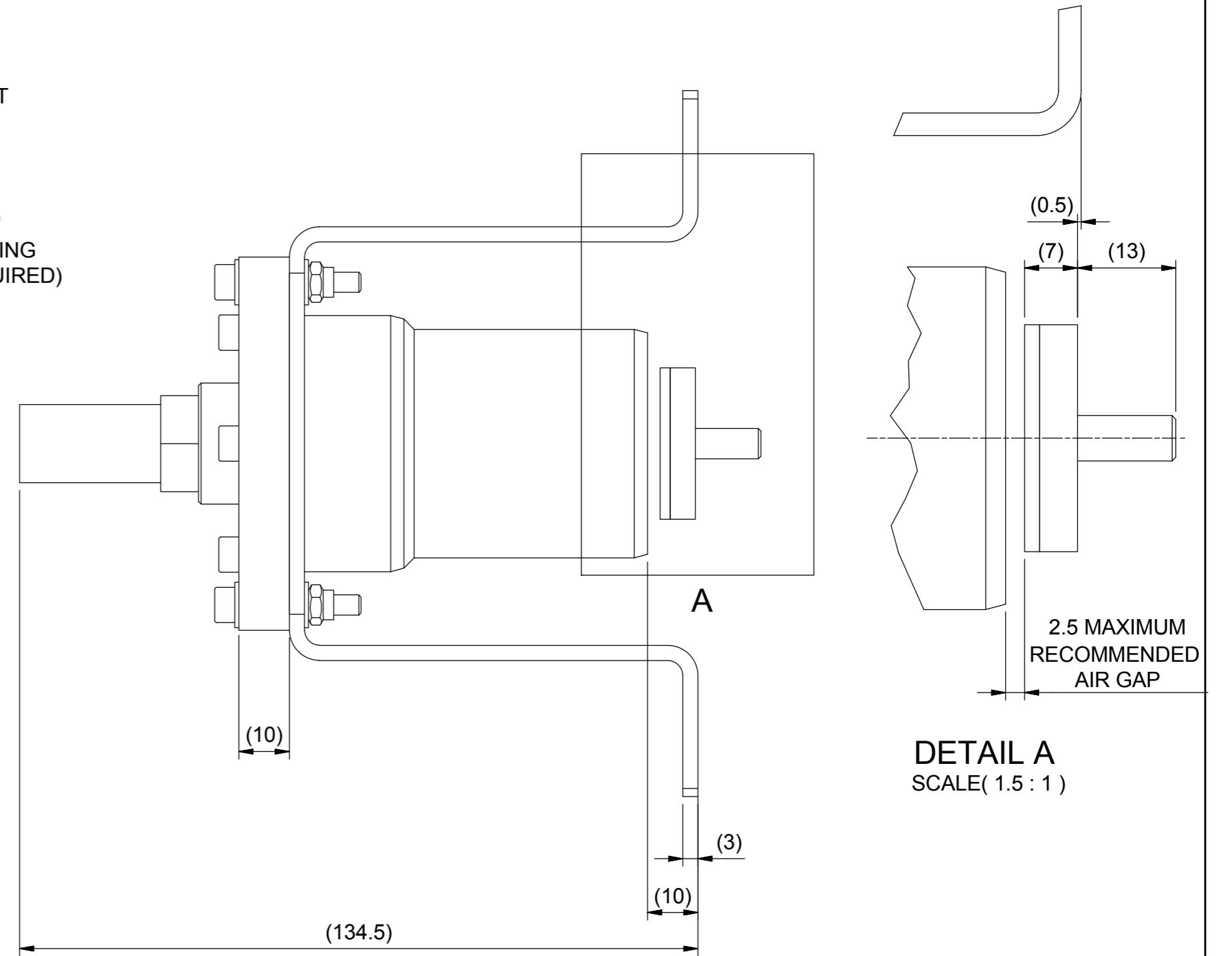
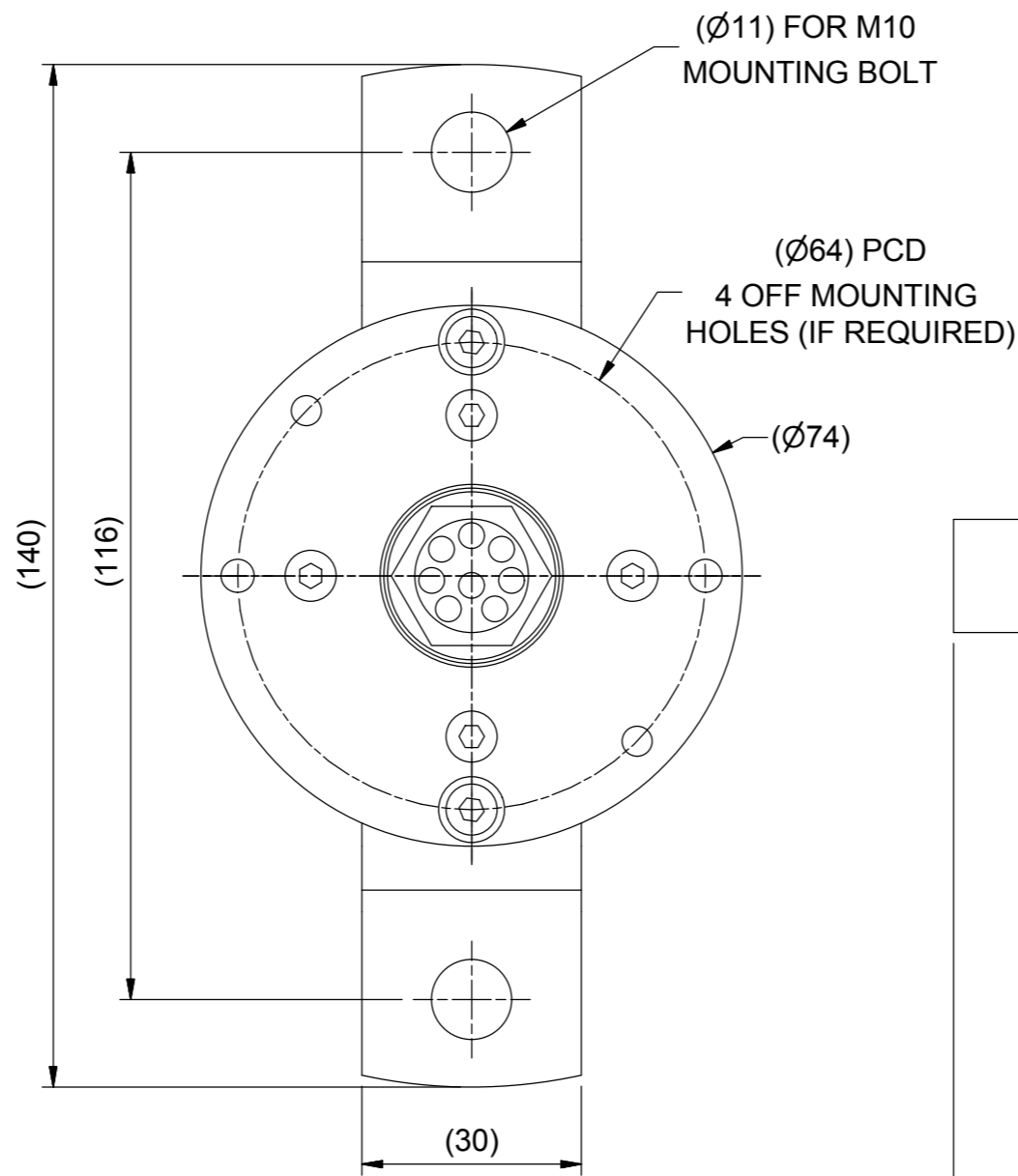
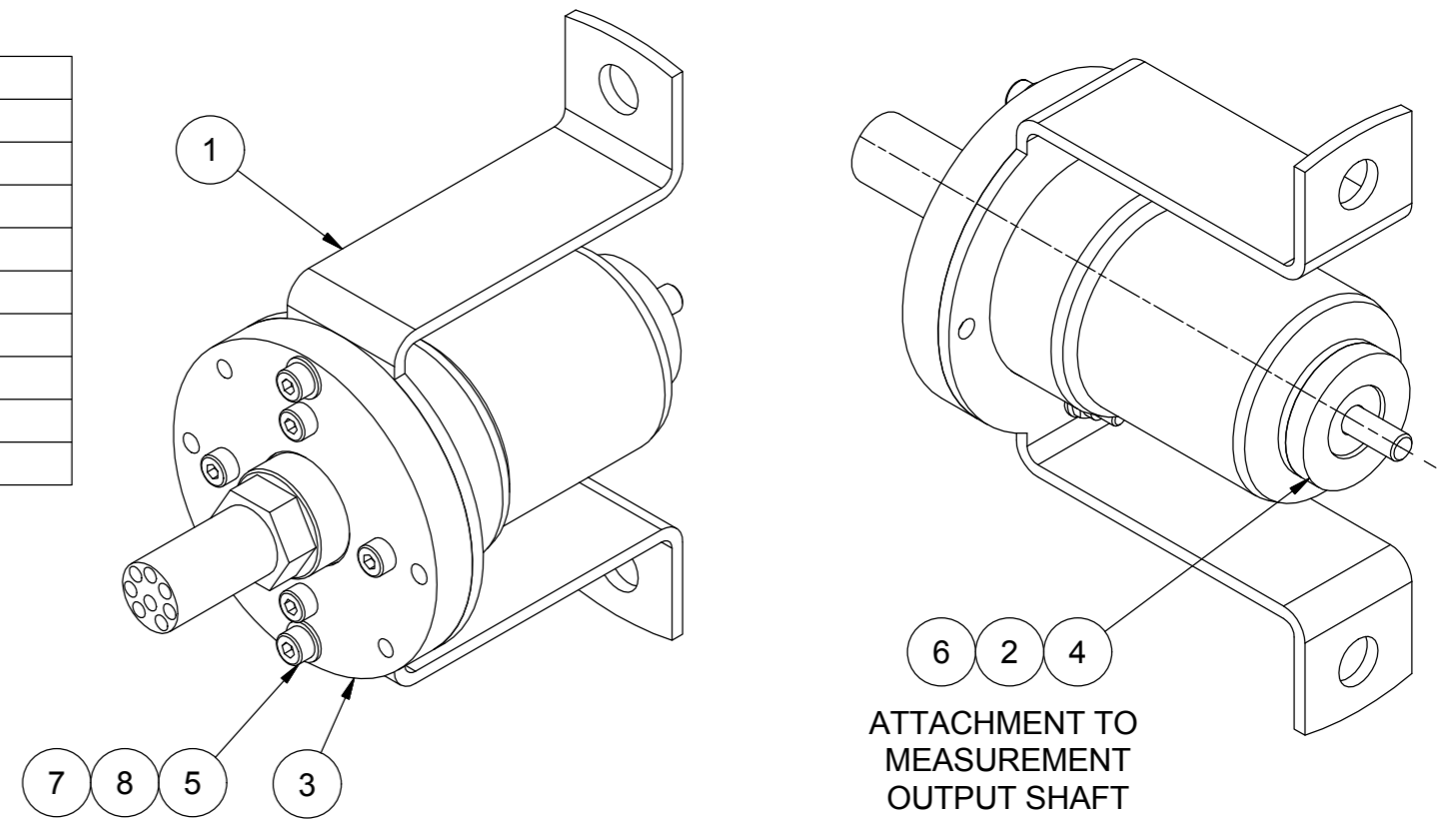


GENERAL SPECIFICATION	
ITEM	VALUE
TYPE	INCREMENTAL SHAFT ENCODER
RESOLUTION	500PPR
SPEED	12,000 RPM MAXIMUM (ENCODER)
FREQUENCY	50kHz MAX.
TEMPERATURE	-25°C TO +85°C
DEPTH RATING	3000m
HOUSING	MARINE GRADE STAINLESS
CURRENT DRAW	30mA @ 24V DC TYPICAL

PARTS LIST			
ITEM	QTY	PART No	DESCRIPTION
1	1	AA6726	ENCODER BRACKET
2	1	AA6728	MAGNET COVER
3	1	AF4387	ASSEMBLY ENCODER SUBCONN
4	1	PA2485	MAGNET 6-POLE RING 30 X 16 X 5MM
5	2	PB5858	BOLT M4 x 25 SHCS SS A2-70
6	1	PC0956	BOLT M6 X 20 SKT CSK HD SS A2-70
7	2	PH2452	NUT M4 NYLOC SS A2-70
8	4	WA0350	WASHER M4 FLAT BS4320 FORM A SS A2

CONNECTOR -SUBCONN SS - MCBH8F	
PIN	VALUE
PIN 1	+24V DC (10V - 30V)
PIN 2	GND
PIN 3	SIGNAL A
PIN 4	SIGNAL B



ASSEMBLY:

1. ASSEMBLE IN ACCORDANCE WITH SMD W100

TEST PROCEDURE:

1. WARNINGS

- (a) THE UNIT HAS TTL OUTPUTS
- (b) THE POWER SUPPLY MUST BE 24V
- (c) THE OUTPUT LOAD MUST ALWAYS BE GREATER THAN 800Ω. A SHORT TO GROUND WILL DESTROY THE ENCODER.

2. PRELIMINARY TESTS

- (a) CONNECT +24V TO PIN 1, GND TO PIN 2, SET CURRENT LIMIT ON POWER SUPPLY TO BE 100mA.
- (b) UNIT DRAWS NO MORE THAN 60mA.
- (c) PINS 3 & 4 VARY SHARPLY ON ROTATION WITH A TEST MAGNET FROM <2.3V TO >22V.

3. FULL FUNCTION TEST

- CONNECT BOTH SIGNALS TO CHANNELS OF AN OSCILLOSCOPE.
- ROTATE TARGET AND OBSERVE, OR SAMPLE INTO A STORAGE SCOPE.

(a) EDGES SHOULD BE SHARP: NOT

(b) WAVEFORMS SHOULD BE IN QUADRATURE:

EITHER: A B

OR: A B

DEPENDING ON DIRECTION OF ROTATION

REV	DATE	CHANGE COMMENT	ZONE	DRAWN	CHECKED	APPD	DATE	EST. MASS	DIMENSIONS	SCALE	PROJECTION 3RD	TITLE		
							12/09/16	1.3 kg	mm	1:1		ASSEMBLY ROTARY ENCODER -SUBCONN - C/W MOUNT & TARGET MAGNET		
							DESIGNED	DRAWN	TOLERANCES UNLESS OTHERWISE STATED				MATERIAL:-	
							MvZ	MvZ	DIMENSIONS mm	UP TO 100	100 TO 300	300 TO 1000	OVER 1000	
							CHECKED	APPROVED	FABRICATION	± 1.0	± 1.5	± 2.0	± 3.0	DO NOT SCALE
							KS	NRC	MACHINED PART	± 0.15	± 0.4	± 0.8	± 1.0	IF IN DOUBT ASK
											DRAWING No	REV No.	SIZE	
											AJ9493	0	A2	
											SHEET 1 OF 1			

ALL INTELLECTUAL PROPERTY RIGHTS SUBSISTING IN THESE DESIGNS ARE THE PROPERTY OF SOIL MACHINE DYNAMICS LTD. NO COPY IS TO BE MADE WITHOUT THE WRITTEN PERMISSION OF SOIL MACHINE DYNAMICS LTD. ANY PATENT APPLICATIONS, PATENTS AND / OR DESIGN APPLICATIONS, REGISTERED DESIGNS, DESIGN RIGHTS OR COPYRIGHT ARISING FROM OR CONTAINED IN THE DESIGNS ARE THE PROPERTY OF SOIL MACHINE DYNAMICS LTD. AND ALL INFORMATION MUST BE HELD IN THE STRICTEST CONFIDENCE.

SMD Soil Machine Dynamics Ltd