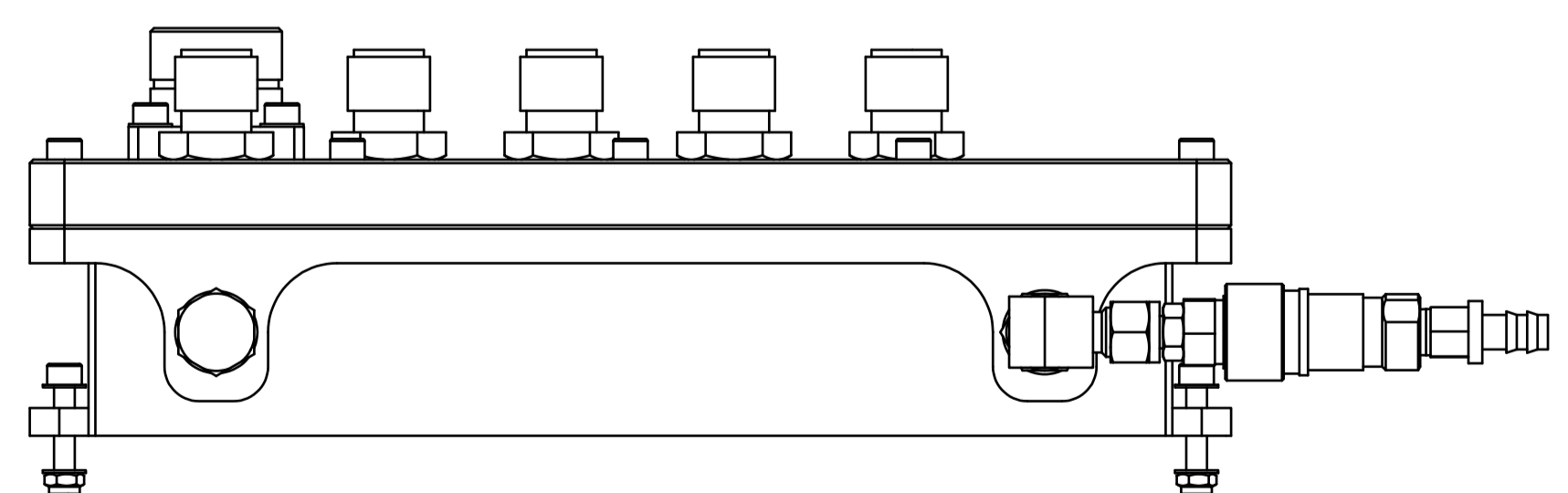
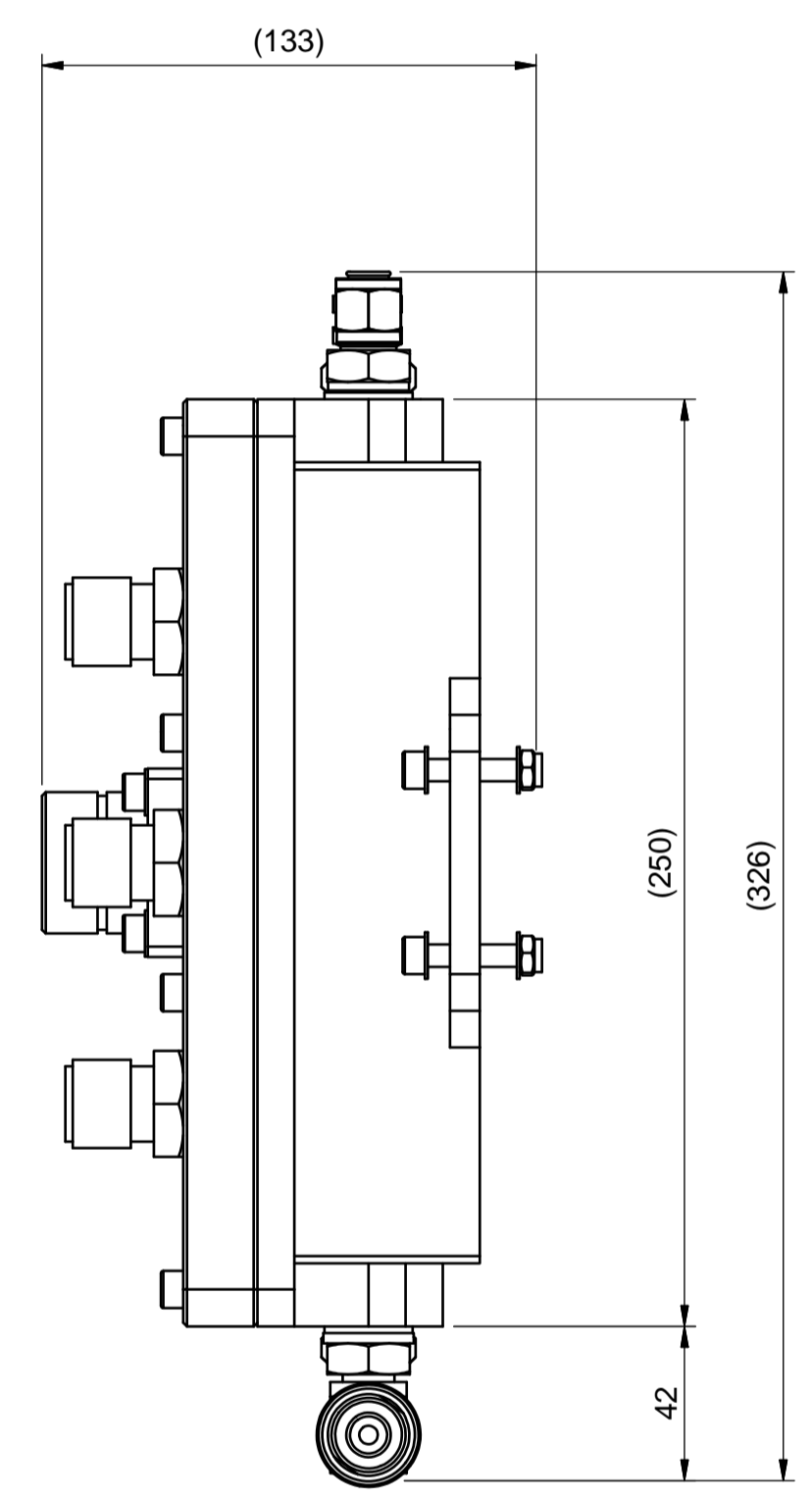
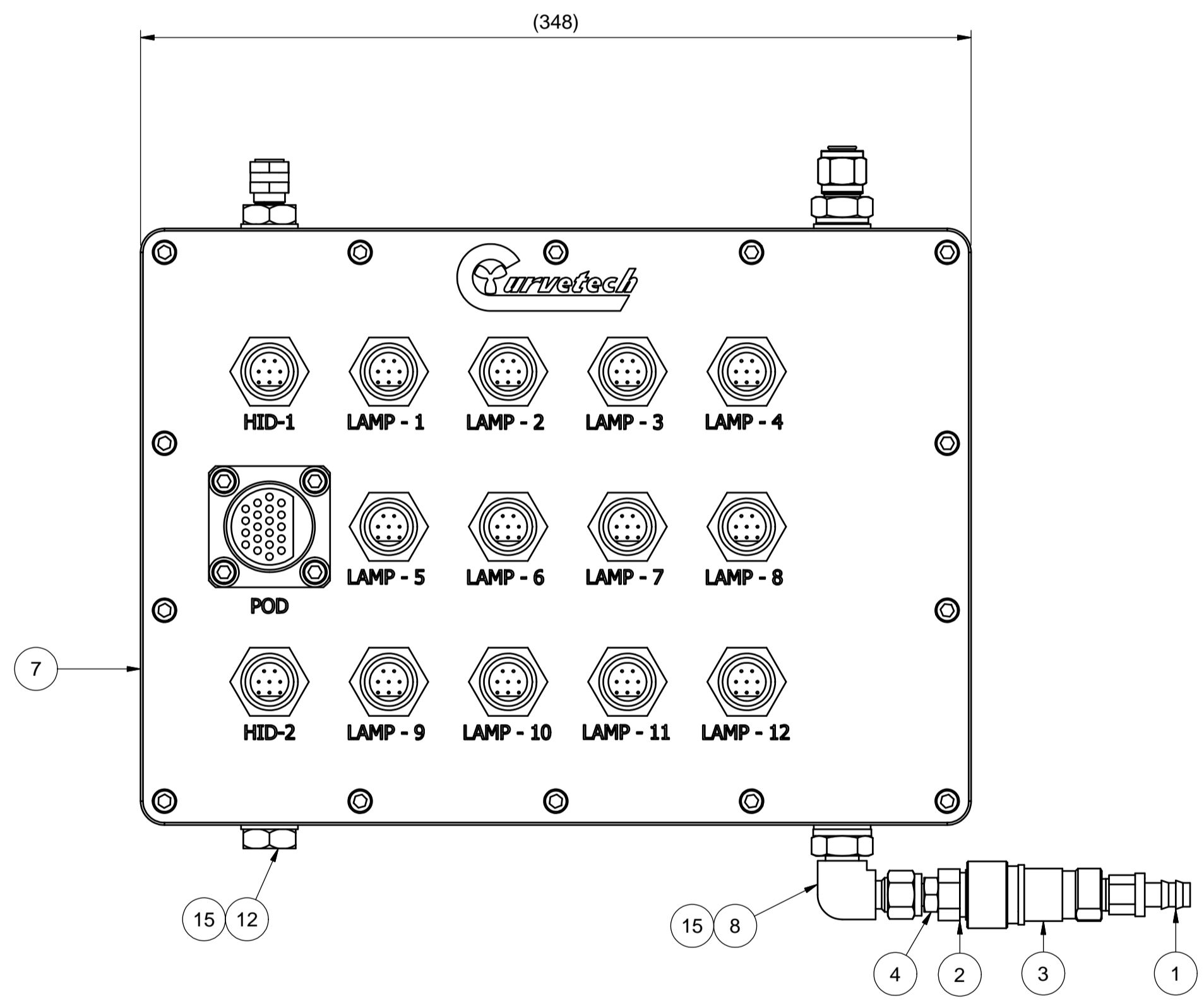
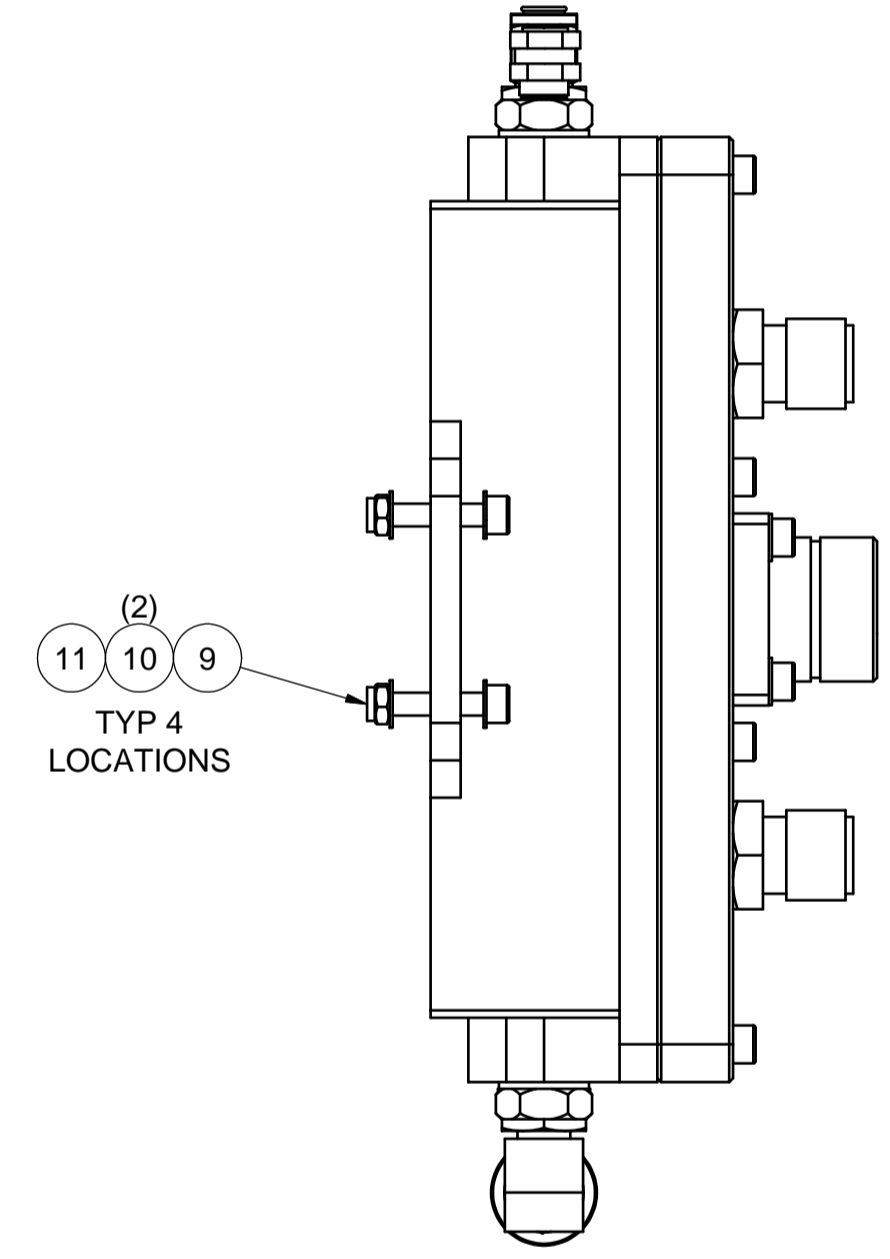
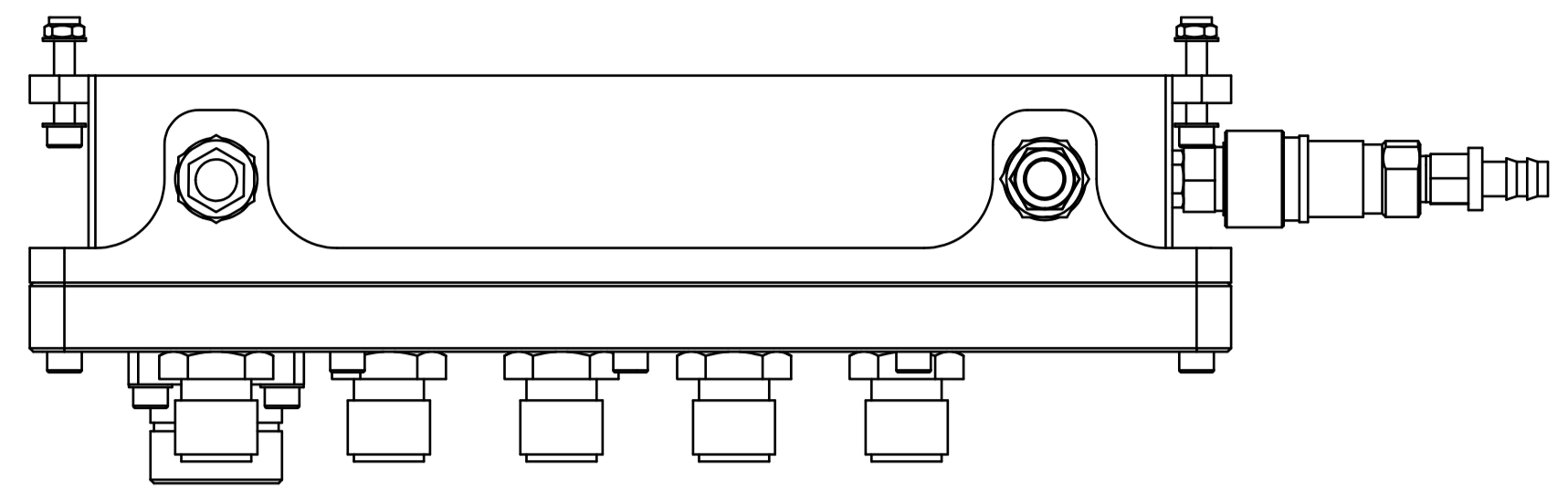
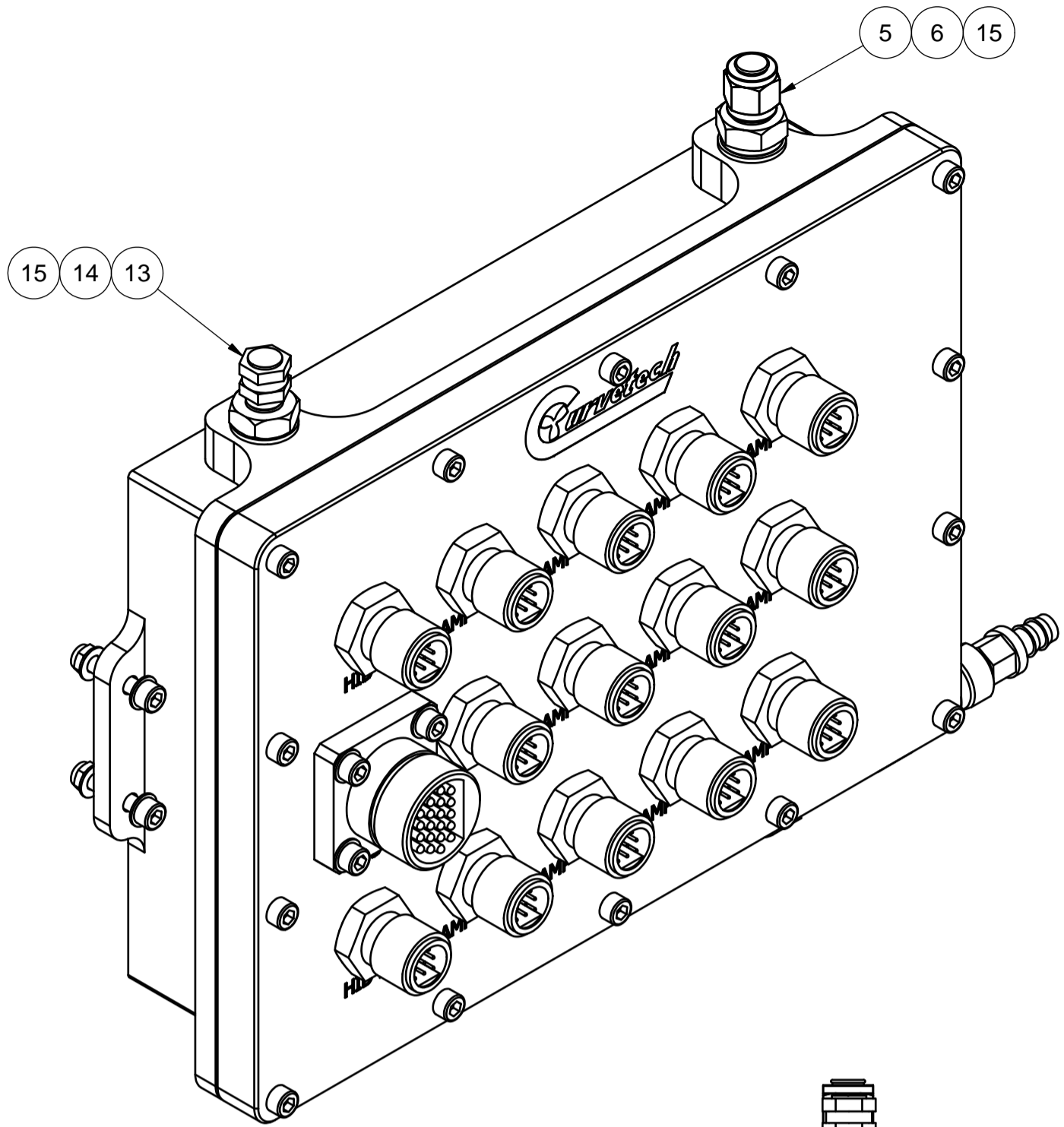


1 2 3 4 5 6 7 8 9 10

PARTS LIST			
ITEM	PART No	DESCRIPTION	QTY
1	AA3112	FITTING ADAPTOR 1/4"NPT (M) 3/8" PUSH-LOK SS	1
2	AA3117	NIPPLE QUICK-CONNECT 1/4"	1
3	AA3118	COUPLER QUICK CONNECT 1/4"NPT	1
4	AA3157	ADAPTOR MALE 1/4"NPT x 3/8" STANDPIPE	1
5	AA3194	CONNECTOR MALE 3/8"BSP x 3/8" TUBE / SWAGelok SS-600-1-6RS	1
6	AA3214	PLUG 3/8"	1
7	AG2645	ASSEMBLY LAMP DIMMING HOUSING 12+2 LAMP	1
8	OF_3013	FITTING ELBOW 3/8" SWAG-3/8" BSPP SS	1
9	PA0078	NUT M6 NYLOC SS A2-70	4
10	PA0546	WASHER M6 FLAT BS4320 FORM B SS A2	8
11	PA4774	BOLT M6 X 30 SHCS SS A2-70	4
12	PB4999	FITTING PLUG 3/8"BSP HEX SS	1
13	PD8370	VALVE RELIEF 15psi (1/4"NPT)	1
14	PK3432	FITTING MFA 3/8"BSP x 1/4" NPT SS	1
15	WA1078	SEAL BONDED 3/8"BSP SS-1.4436 (316S33) / SELF CENTERING NBR90	4

NOTES :-  
1. ASSEMBLE IN ACCORDANCE WITH SMD SPECIFICATION W100

A  
B  
C  
D  
E



REV	DATE	CHANGE COMMENT	ZONE	DRAWN	CHECKED	APPD	DATE	EST. MASS	DIMENSIONS	SCALE	PROJECTION 3RD	TITLE
1	11-JUL-12	CHANGE COVER TO REDUCE COST		JCUR	PIB	NRC	27-JUN-12	11 kg	mm	1:2		ASSEMBLY LAMP DIMMING JB 12 Ch C/W FITTINGS QUANTUM MkIII
2	31-OCT-12	BLEED FITTINGS CHANGED		RG	NRC	NRC						
3	4-NOV-15	TITLE CHANGE		LO	PIB	DAL						

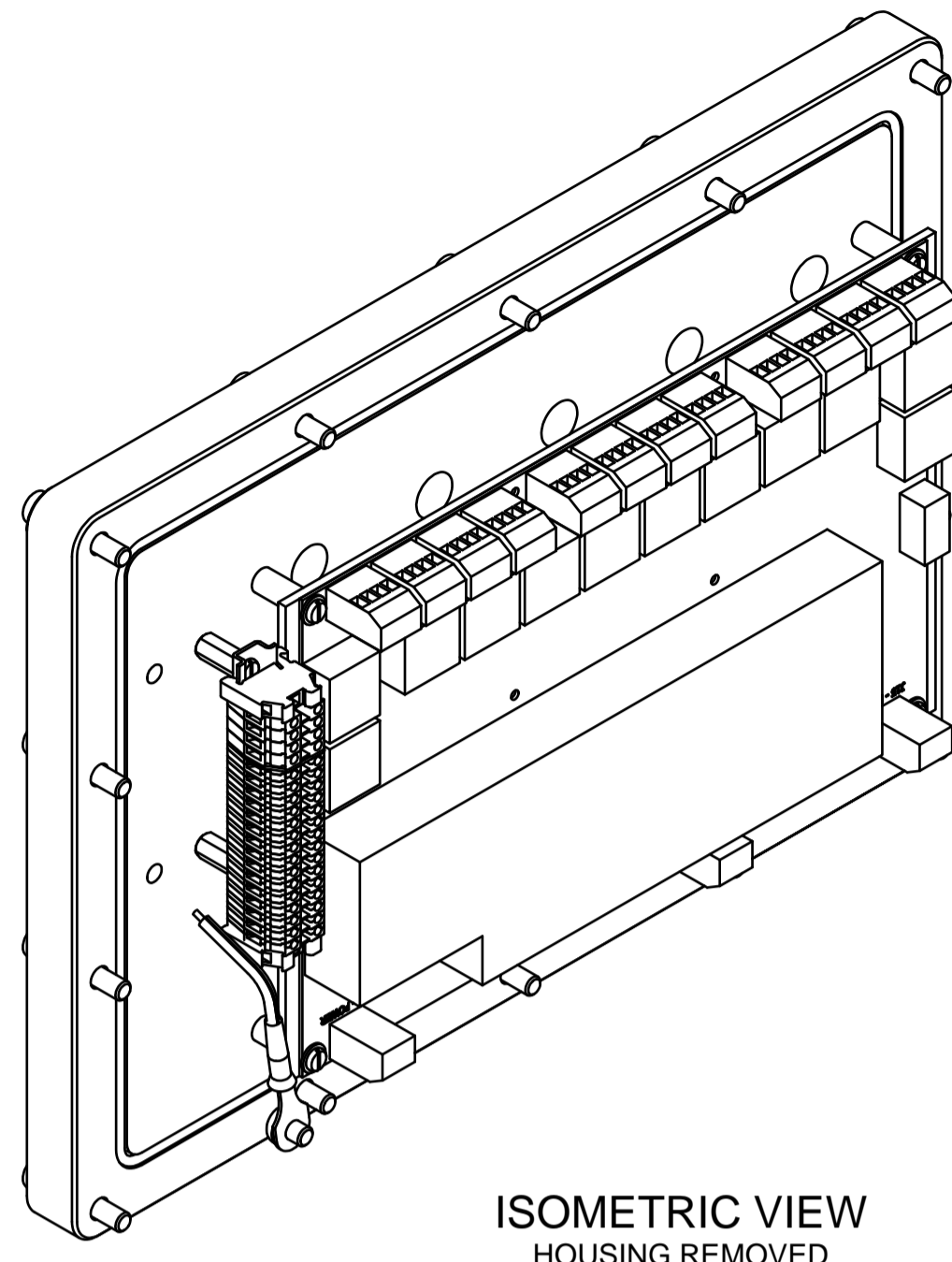
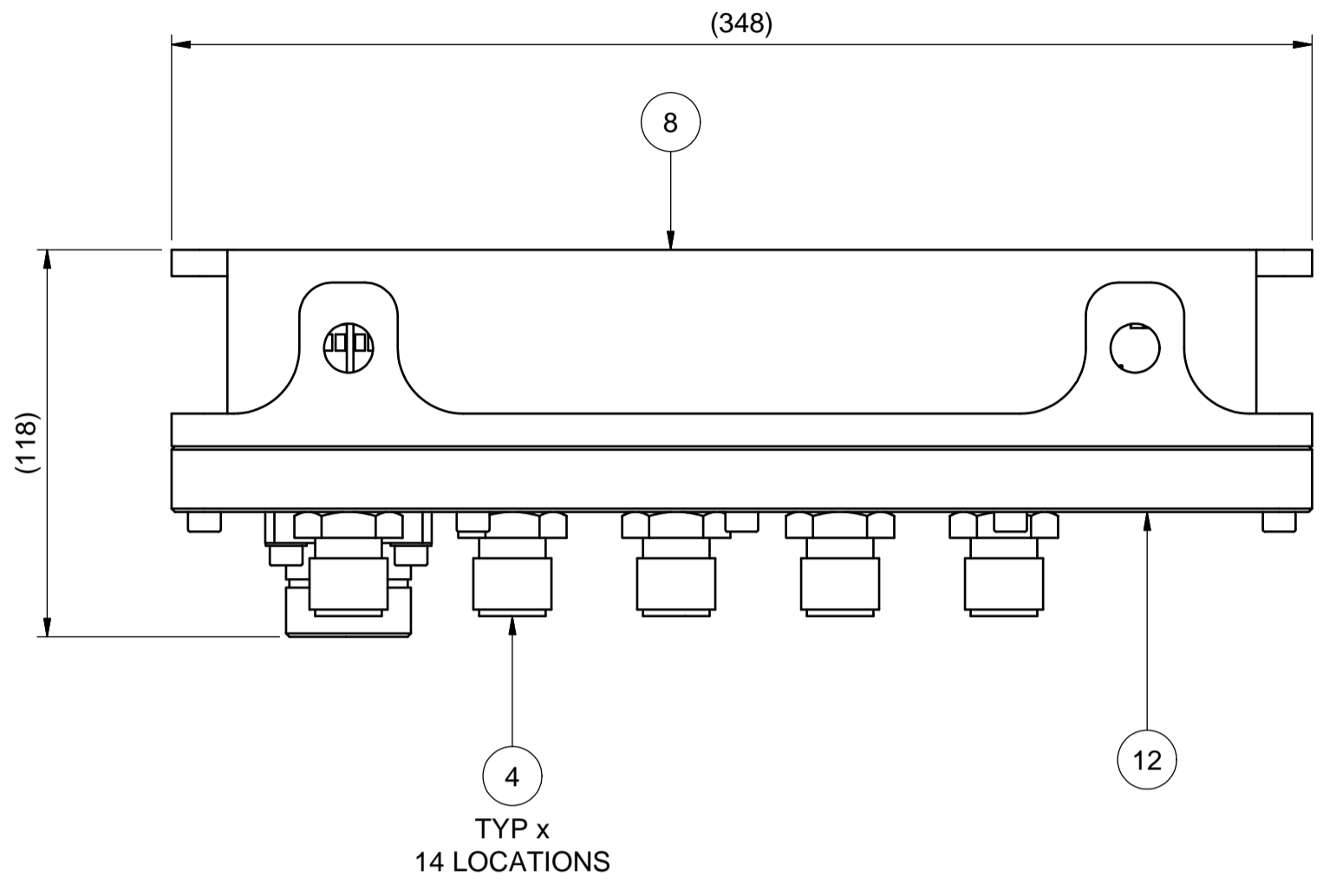
DESIGNED	DRAWN	TOLERANCES UNLESS OTHERWISE STATED	MATERIAL:-
BK	RG	DIMENSIONS mm UP TO 100 ±1.0 100 TO 300 ±1.5 300 TO 1000 ±2.0 OVER 1000 ±3.0	
CHECKED	APPROVED	FABRICATION ±1.0 ±1.5 ±2.0 ±3.0	DO NOT SCALE IF IN DOUBT ASK
WW	NRC	MACHINED PART ±0.15 ±0.4 ±0.8 ±1.0	

DRAWING No		REV No.	SIZE
AF6990		3	A1
SHEET 1 OF 1			

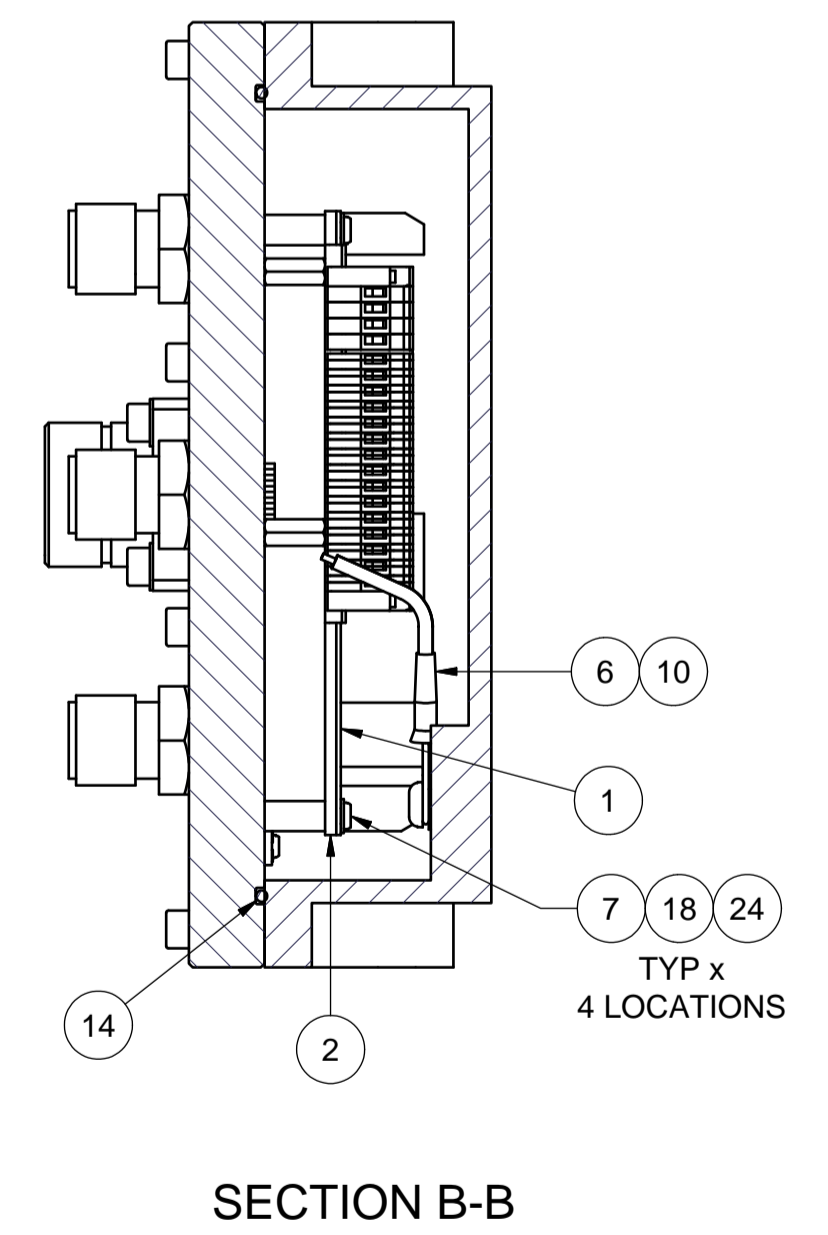
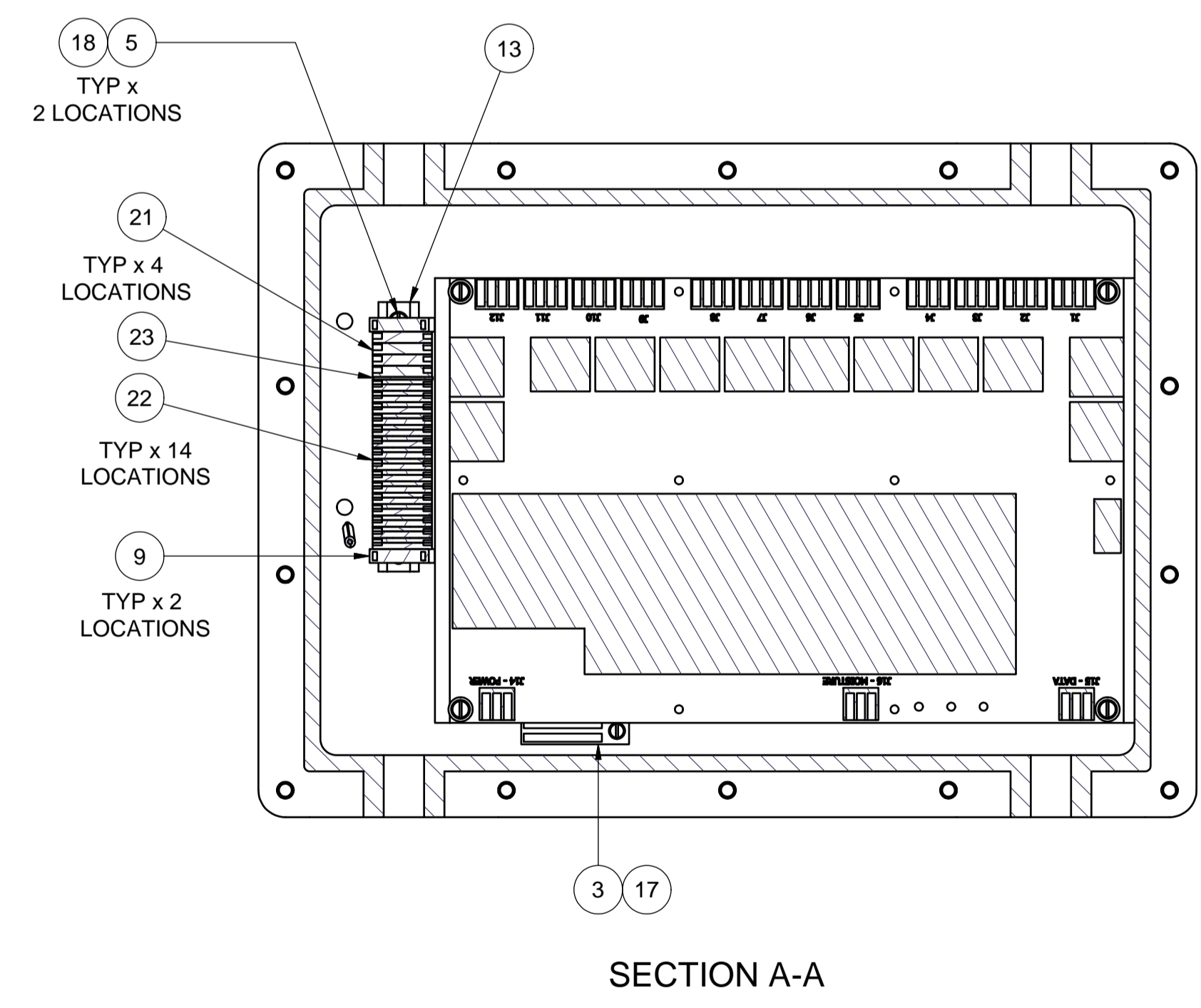
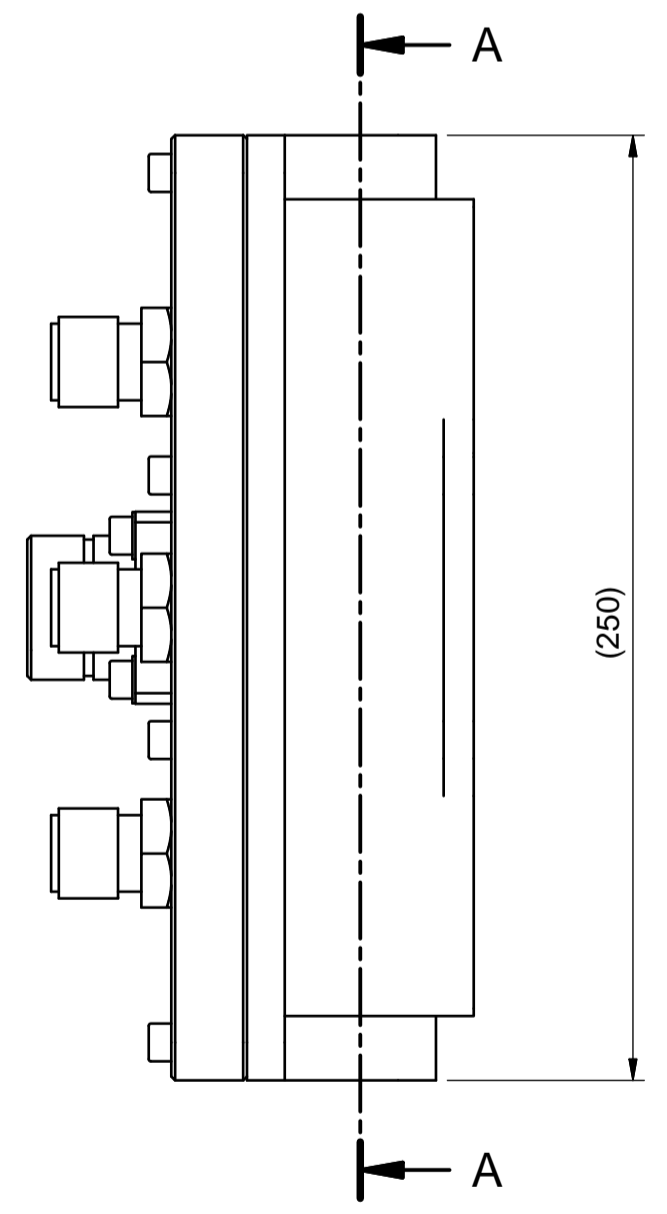
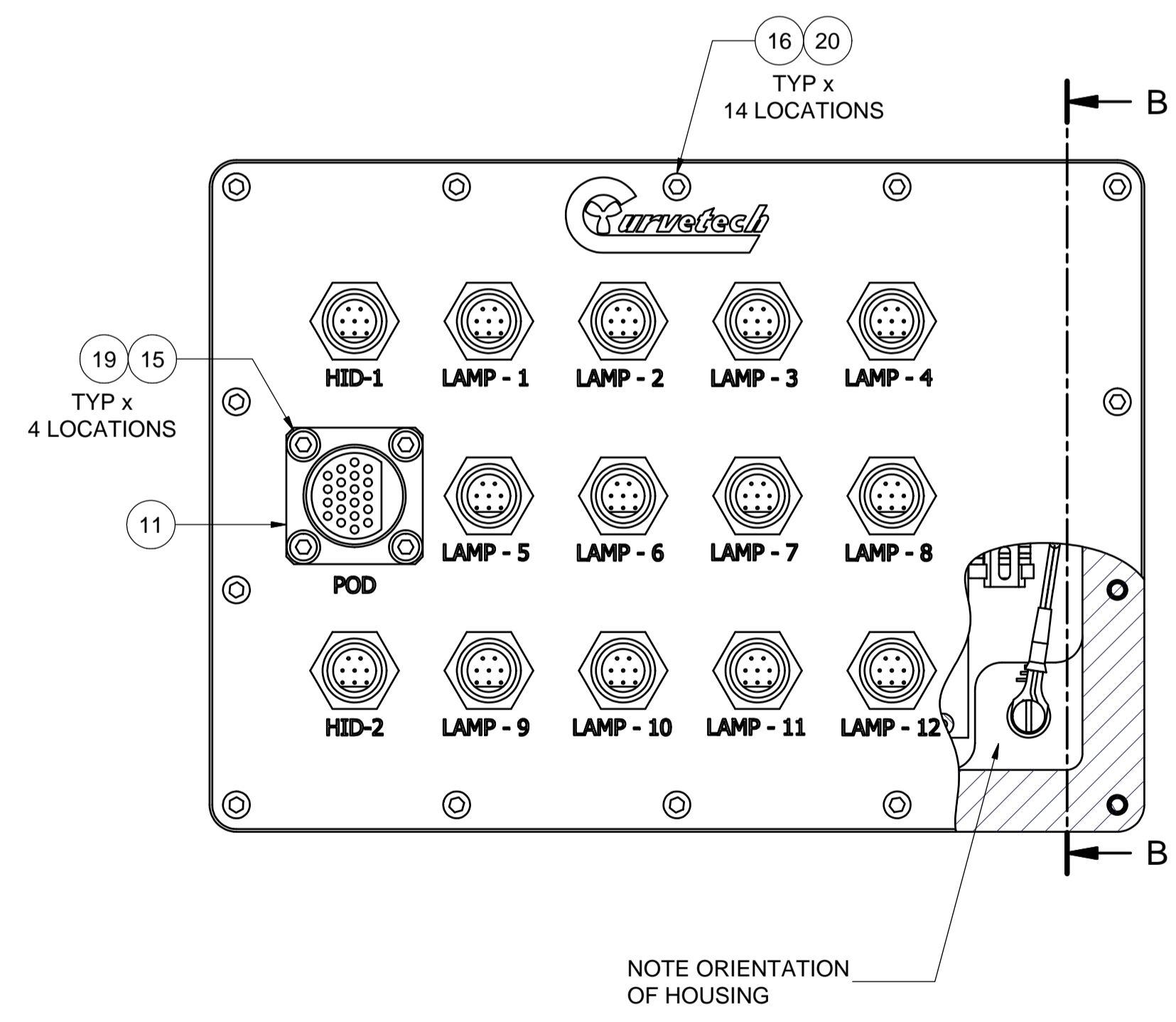
ALL INTELLECTUAL PROPERTY RIGHTS SUBSISTING IN THESE DESIGNS ARE THE PROPERTY OF SOIL MACHINE DYNAMICS LTD. NO COPY IS TO BE MADE WITHOUT THE WRITTEN PERMISSION OF SOIL MACHINE DYNAMICS LTD. ANY PATENT APPLICATIONS, PATENTS AND / OR DESIGN APPLICATIONS, REGISTERED DESIGNS, DESIGN RIGHTS OR COPYRIGHT ARISING FROM OR CONTAINED IN THE DESIGNS ARE THE PROPERTY OF SOIL MACHINE DYNAMICS LTD. AND ALL INFORMATION MUST BE HELD IN THE STRICTEST CONFIDENCE

**SMD** Soil Machine Dynamics Ltd



PARTS LIST				
ITEM	PART No	DESCRIPTION	QTY	
1	AA0607	PCB LAMP DIMMING 12 CHANNEL	1	
2	AA3052	PLATE, PCB MOUNT	1	
3	AA9979	PCB WATER INGRESS SENSOR	1	
4	AB0656	CONNECTOR 8 PIN BCR BURTON SS / 5507-1508-0004-PE	14	
5	AB0811	PILLAR M4x16 FEC890-870	2	
6	AB0941	CABLE ACC RING CRIMP RED M6	1	
7	AB2033	MOUNTING SPACER M4x16	4	
8	AC4292	HOUSING LAMP DIMMING MOUNT 12+2 LAMPS	1	
9	AD8807	BRACKET END CLIP FIX 15 (PH3022263)	2	
10	AE1504	BOLT M6 x 8 SLTD PAN HD SS A2-70	1	
11	AF4307	CONNECTOR 20 PIN FCR BURTON SS / 5506-2420-0004-PE	1	
12	AG2646	FACE PLT LAMP DIMMING 12+2 LAMPS	1	
13	HRS1761285	MOUNTING DIN RAIL MINATURE 15 X 5.5MM	1	
14	OR 1040	RING CORD 3mm	1	
15	PA0546	WASHER M6 FLAT BS4320 FORM B SS A2	4	
16	PA4774	BOLT M6 x 30 SHCS SS A2-70	14	
17	PA5996	BOLT M3 x 6 PAN HD SS	1	
18	PB8757	BOLT M4 x 12 PAN HD SS	6	
19	PB9266	BOLT M6 x 20 SHCS SS A2-70	4	
20	PD5645	INSERT HELICOIL M6 x 1.5D SS	14	
21	PF4721	TERMINAL PHOENIX MICRO 1.5	4	
22	PF4722	TERMINAL PHOENIX MICRO 1.5 EARTH	15	
23	PF4724	TERMINAL PHOENIX MICRO 1.5 END PLATE	1	
24	WA0350	WASHER M4 FLAT BS4320 FORM A SS A2	4	

NOTES :-  
1. ASSEMBLE IN ACCORDANCE WITH SMD SPECIFICATION W100



REV	DATE	CHANGE COMMENT	ZONE	DRAWN	CHECKED	APPD	DATE	EST. MASS	DIMENSIONS	SCALE	PROJECTION 3RD	TITLE
1	17 AUG 12	ELECTRICAL SCHEMATIC ADDED	N/A	PIB	NRC	JPG	04-JUL-12	11 kg	mm	1:2		ASSEMBLY LAMP DIMMING HOUSING 12+2 LAMP
2	07 SEPT 12	HOUSING ROTATED 180 DEGREES, VIEWS REPOSITIONED	SHT 1	LO	WW	WW						
3	26-SEP-12	PF4722 QTY CHANGED FROM 14 --> 15		JCUR	WW	WW						

DESIGNED PIB	DRAWN JCUR	TOLERANCES UNLESS OTHERWISE STATED	UP TO 100	100 TO 300	300 TO 1000	OVER 1000	MATERIAL:- N/A
CHECKED BK	APPROVED NRC	FABRICATION	± 1.0	± 1.5	± 2.0	± 3.0	DO NOT SCALE IF IN DOUBT ASK
		MACHINED PART	± 0.15	± 0.4	± 0.8	± 1.0	

DRAWING No	REV No.	SIZE
AG2645	3	A1

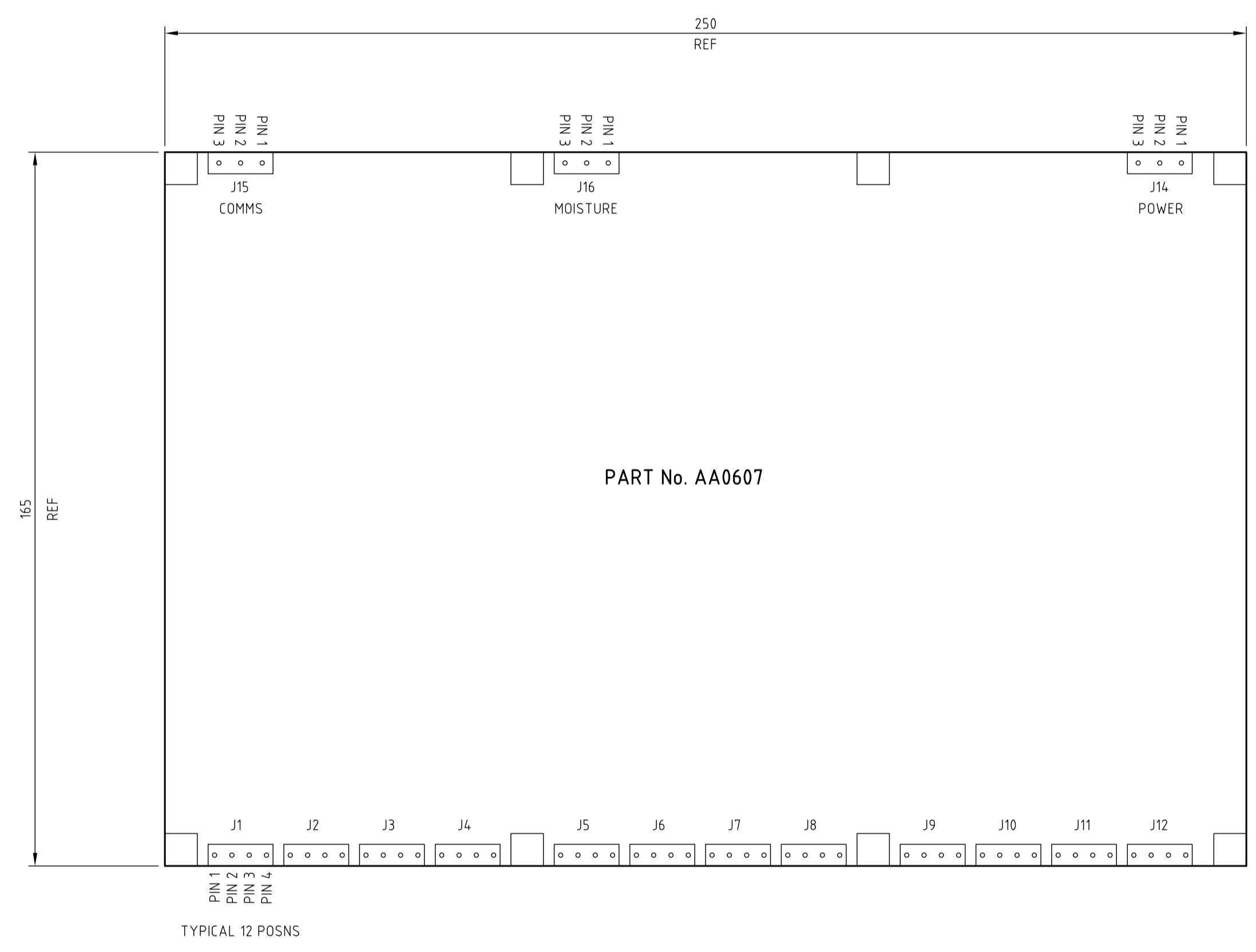
SHEET 1 OF 5

ALL INTELLECTUAL PROPERTY RIGHTS SUBSISTING IN THESE DESIGNS ARE THE PROPERTY OF SOIL MACHINE DYNAMICS LTD. NO COPY IS TO BE MADE WITHOUT THE WRITTEN PERMISSION OF SOIL MACHINE DYNAMICS LTD. ANY PATENT APPLICATIONS, PATENTS AND / OR DESIGN APPLICATIONS, REGISTERED DESIGNS, DESIGN RIGHTS OR COPYRIGHT ARISING FROM OR CONTAINED IN THE DESIGNS ARE THE PROPERTY OF SOIL MACHINE DYNAMICS LTD. AND ALL INFORMATION MUST BE HELD IN THE STRICTEST CONFIDENCE



1 2 3 4 5 6 7 8 9 10

A  
B  
C  
D  
E

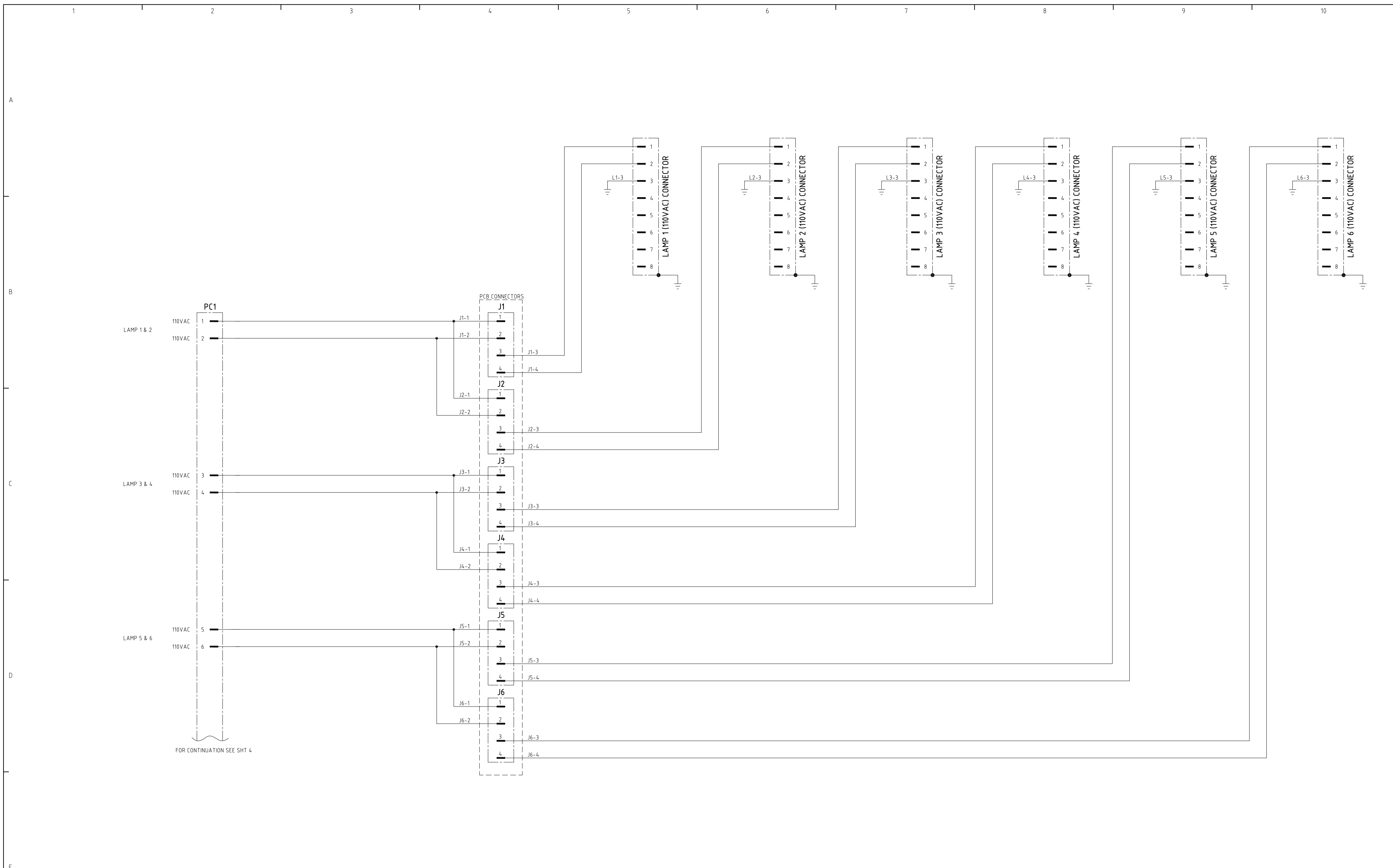


PART No. AA0607

PLAN VIEW ON PCB ASSEMBLY  
SCALE 1:1

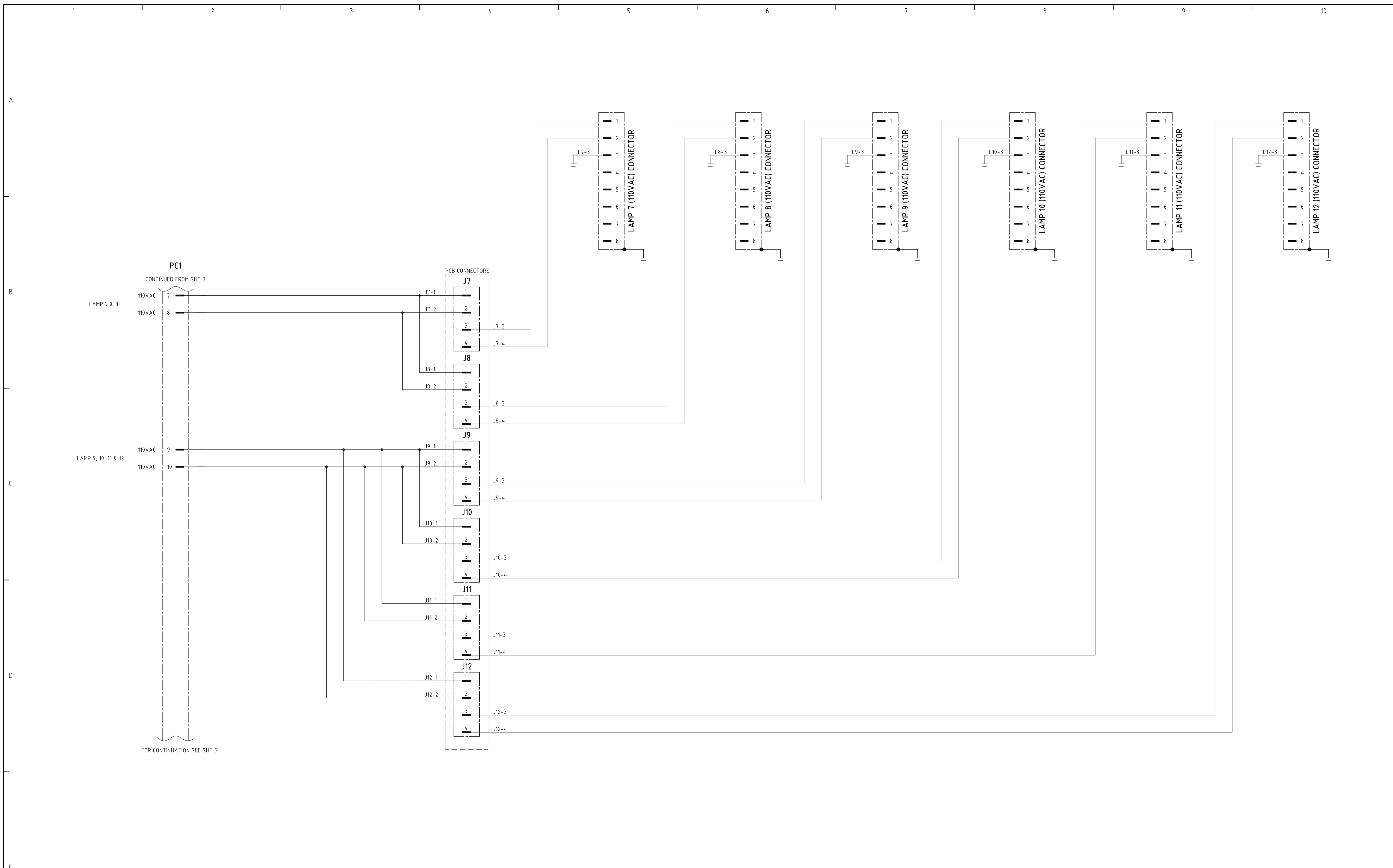
REV No	DATE	CHANGE	ZONE	DRAWN	CHECKED	APPROVED	TITLE						
1	16 AUG 12	ELECTRICAL SCHEMATIC ADDED SHEETS 2-5	N/A	P.D.W	K.S.	K.S.	ASSEMBLY LAMP DIMMING HOUSING (12+2 WIRING)						
2	09 SEPT 12	SEE SHEET 1	N/A	LO	K.S.	K.S.							
3	26 SEPT 12	SEE SHEET 1	N/A	JCUR	WW	WW							
							DESIGNED	DRAWN	CHECKED	APPROVED	DATE	DRAWING NO.	REV No.
							P.D.W.	P.D.W.	A.T.	K.S.	16/08/2012	AG2645	3
							SHEET 2 OF 5						

ALL INTELLECTUAL PROPERTY RIGHTS SUBSISTING IN THESE DESIGNS ARE THE PROPERTY OF SOIL MACHINE DYNAMICS LTD. NO COPY IS TO BE MADE WITHOUT THE WRITTEN PERMISSION OF SOIL MACHINE DYNAMICS LTD. ANY PATENT APPLICATIONS, PATENTS AND/OR DESIGN APPLICATIONS, REGISTERED DESIGNS, DESIGN RIGHTS OR COPYRIGHT ARISING FROM OR CONTAINED IN THE DESIGNS ARE THE PROPERTY OF SOIL MACHINE DYNAMICS LTD AND ALL INFORMATION MUST BE HELD IN THE STRICTEST CONFIDENCE



REV No	DATE	CHANGE	ZONE	DRAWN	CHECKED	APPROVED	TITLE						
1	16 AUG 12	ELECTRICAL SCHEMATIC ADDED SHEETS 2-5	N/A	P.D.W	K.S	K.S.	ASSEMBLY LAMP DIMMING HOUSING (12+2 WIRING)						
2	09 SEPT 12	SEE SHEET 1	N/A	LO	K.S	K.S.							
3	26 SEPT 12	SEE SHEET 1	N/A	JCUR	WW	WW							
							DESIGNED	DRAWN	CHECKED	APPROVED	DATE	DRAWING NO.	REV No.
							P.D.W.	P.D.W.	A.T.	K.S.	16/08/2012	AG2645	3
							SHEET 3 OF 5						

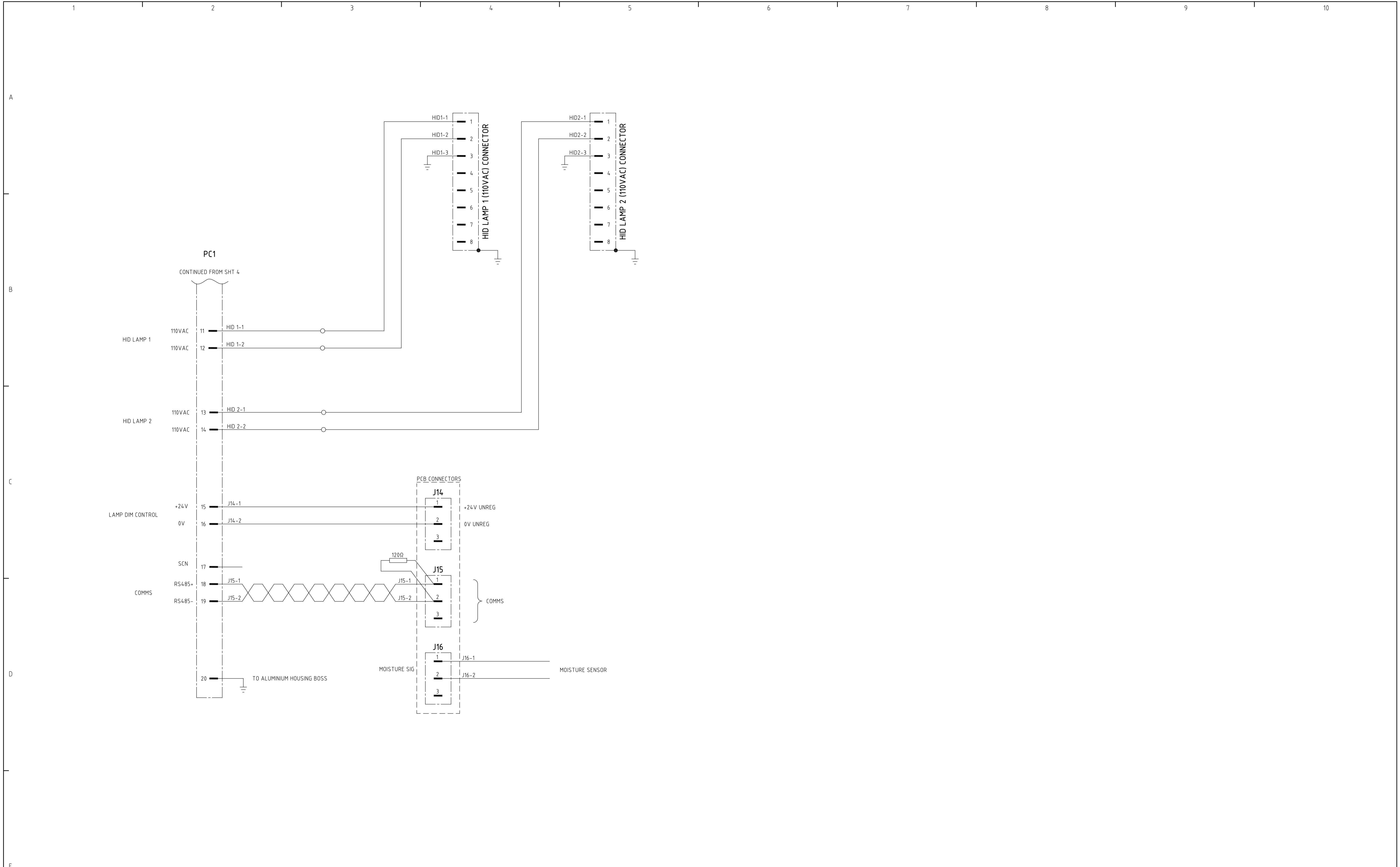
ALL INTELLECTUAL PROPERTY RIGHTS SUBSISTING IN THESE DESIGNS ARE THE PROPERTY OF SOIL MACHINE DYNAMICS LTD. NO COPY IS TO BE MADE WITHOUT THE WRITTEN PERMISSION OF SOIL MACHINE DYNAMICS LTD. ANY PATENT APPLICATIONS, PATENTS AND/OR DESIGN APPLICATIONS, REGISTERED DESIGNS, DESIGN RIGHTS OR COPYRIGHT ARISING FROM OR CONTAINED IN THE DESIGNS ARE THE PROPERTY OF SOIL MACHINE DYNAMICS LTD AND ALL INFORMATION MUST BE HELD IN THE STRICTEST CONFIDENCE



FOR CONTINUATION SEE SHT 5

REV No	DATE	CHANGE	ZONE	DRAWN	CHECKED	APPROVED	TITLE						
1	16 AUG 12	ELECTRICAL SCHEMATIC ADDED SHEETS 2-5	N/A	P.D.W	K.S.	K.S.	ASSEMBLY LAMP DIMMING HOUSING (12+2 WIRING)						
2	09 SEPT 12	SEE SHEET 1	N/A	LO	K.S.	K.S.							
3	26 SEPT 12	SEE SHEET 1	N/A	JCUR	WW	WW							
							DESIGNED	DRAWN	CHECKED	APPROVED	DATE	DRAWING NO.	REV No.
							P.D.W.	P.D.W.	A.T.	K.S.	16/08/2012	AG2645	3
							SHEET 4 OF 5						

ALL INTELLECTUAL PROPERTY RIGHTS SUBSISTING IN THESE DESIGNS ARE THE PROPERTY OF SOIL MACHINE DYNAMICS LTD. NO COPY IS TO BE MADE WITHOUT THE WRITTEN PERMISSION OF SOIL MACHINE DYNAMICS LTD. ANY PATENT APPLICATIONS, PATENTS AND/OR DESIGN APPLICATIONS, REGISTERED DESIGNS, DESIGN RIGHTS OR COPYRIGHT ARISING FROM OR CONTAINED IN THE DESIGNS ARE THE PROPERTY OF SOIL MACHINE DYNAMICS LTD AND ALL INFORMATION MUST BE HELD IN THE STRICTEST CONFIDENCE



REV No	DATE	CHANGE	ZONE	DRAWN	CHECKED	APPROVED	TITLE							
1	16 AUG 12	ELECTRICAL SCHEMATIC ADDED SHEETS 2-5	N/A	P.D.W	K.S	K.S.	ASSEMBLY LAMP DIMMING HOUSING (12+2 WIRING)							
2	09 SEPT 12	SEE SHEET 1	N/A	LO	K.S	K.S.								
3	26 SEPT 12	SEE SHEET 1	N/A	JCUR	WW	WW								
							DESIGNED	DRAWN	CHECKED	APPROVED	DATE	DRAWING NO.	REV No.	
							P.D.W.	P.D.W.	A.T.	K.S.	16/08/2012	AG2645	3	
											SHEET	5	OF	5