

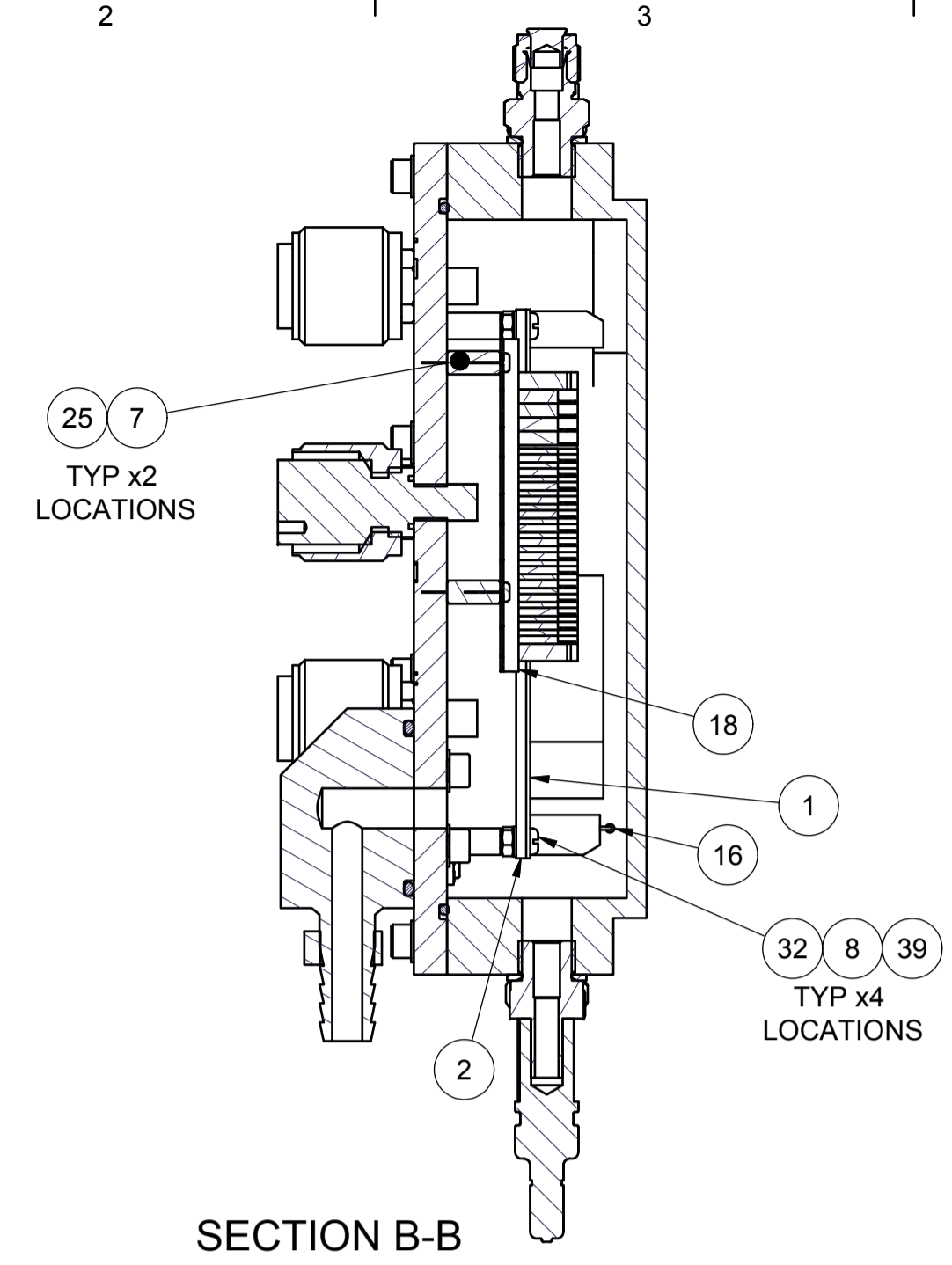
A

B

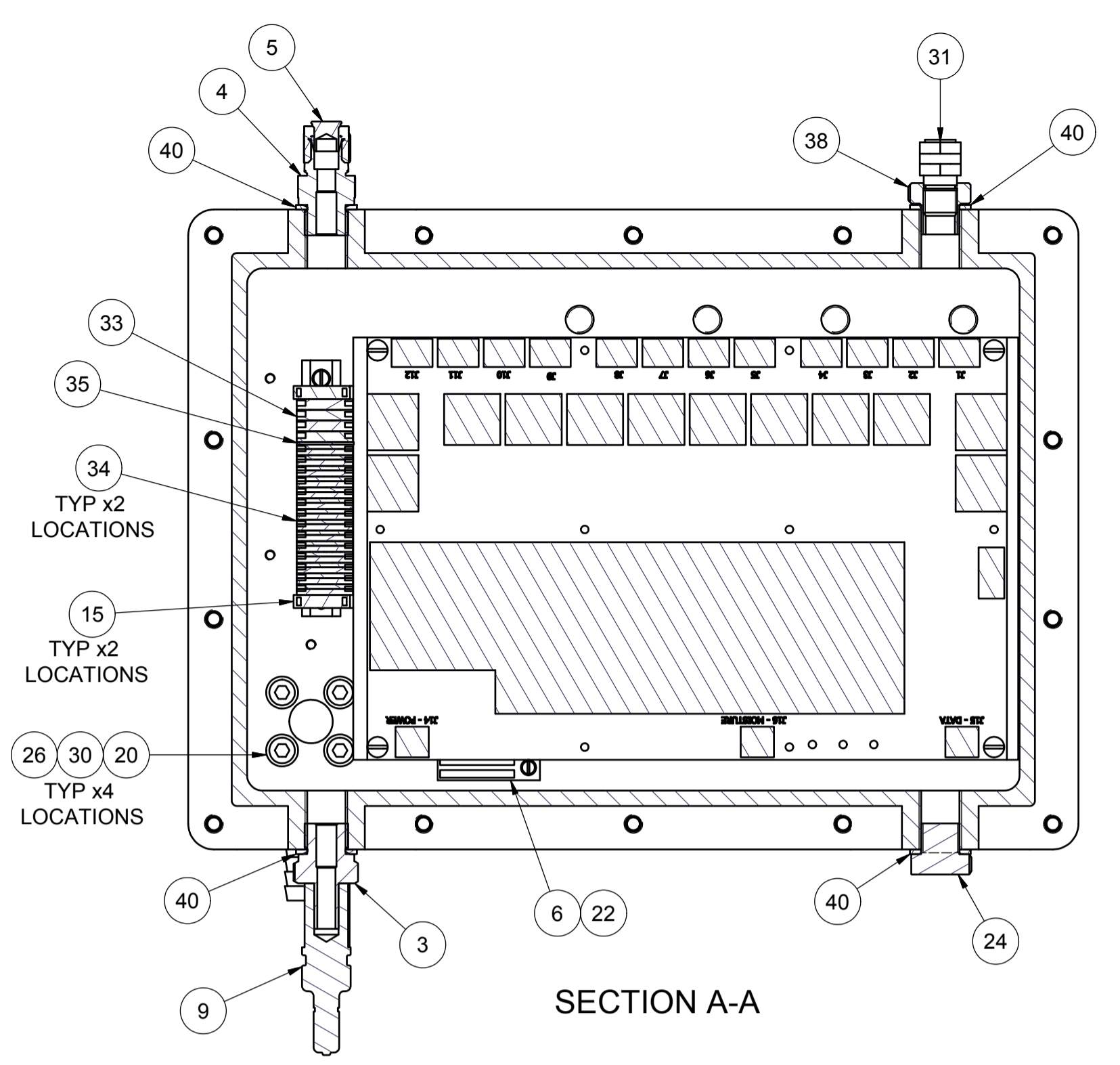
C

D

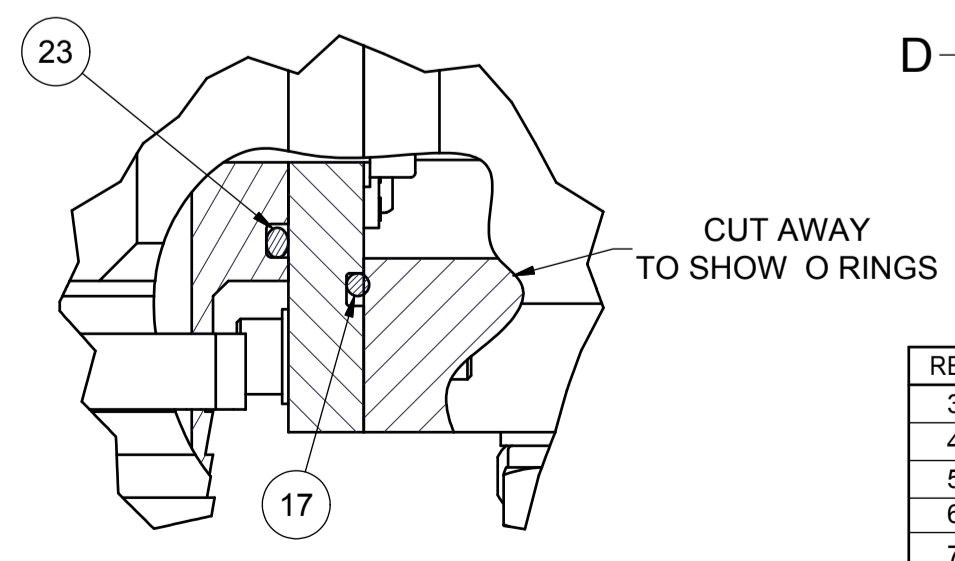
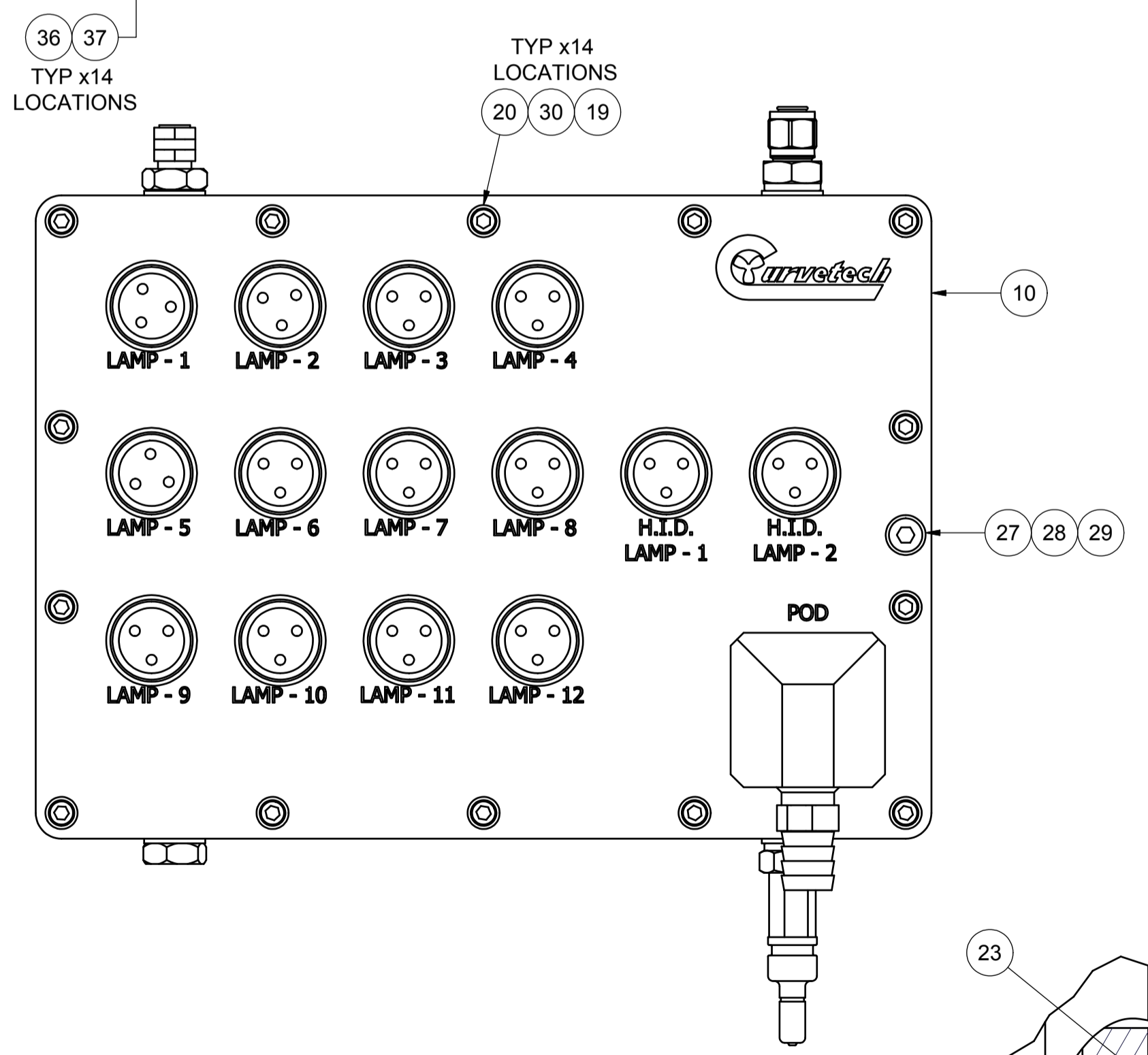
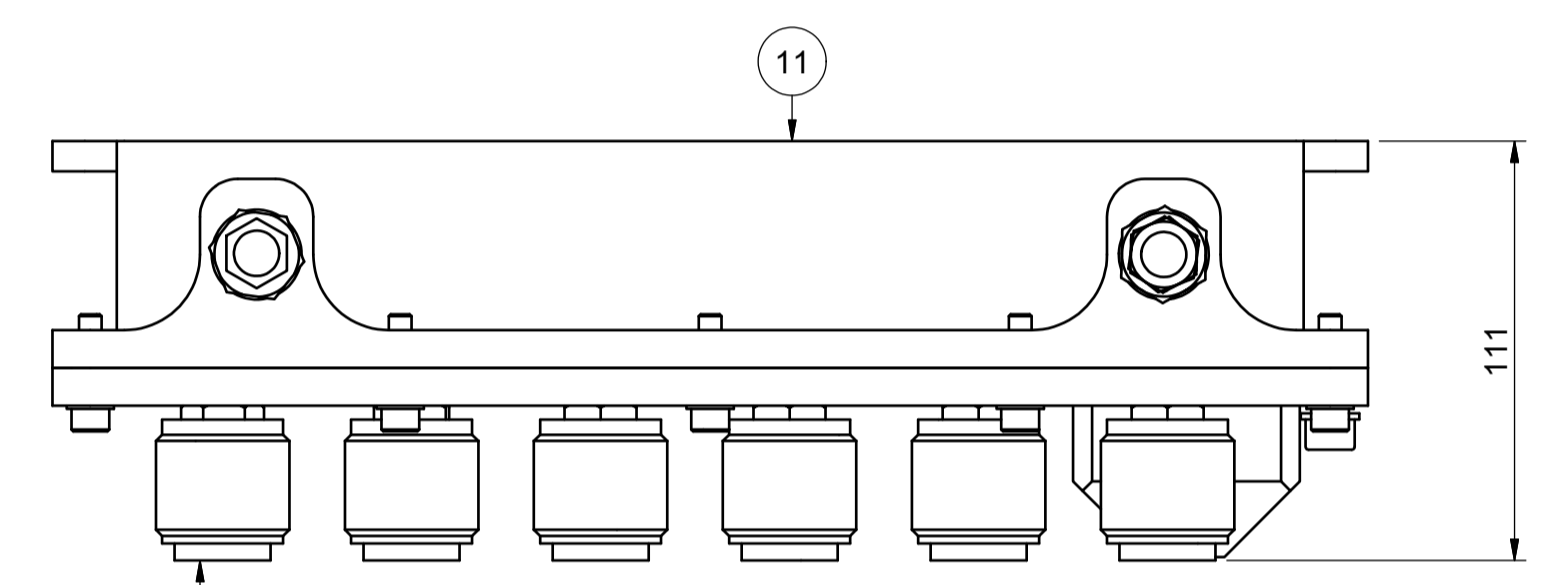
E



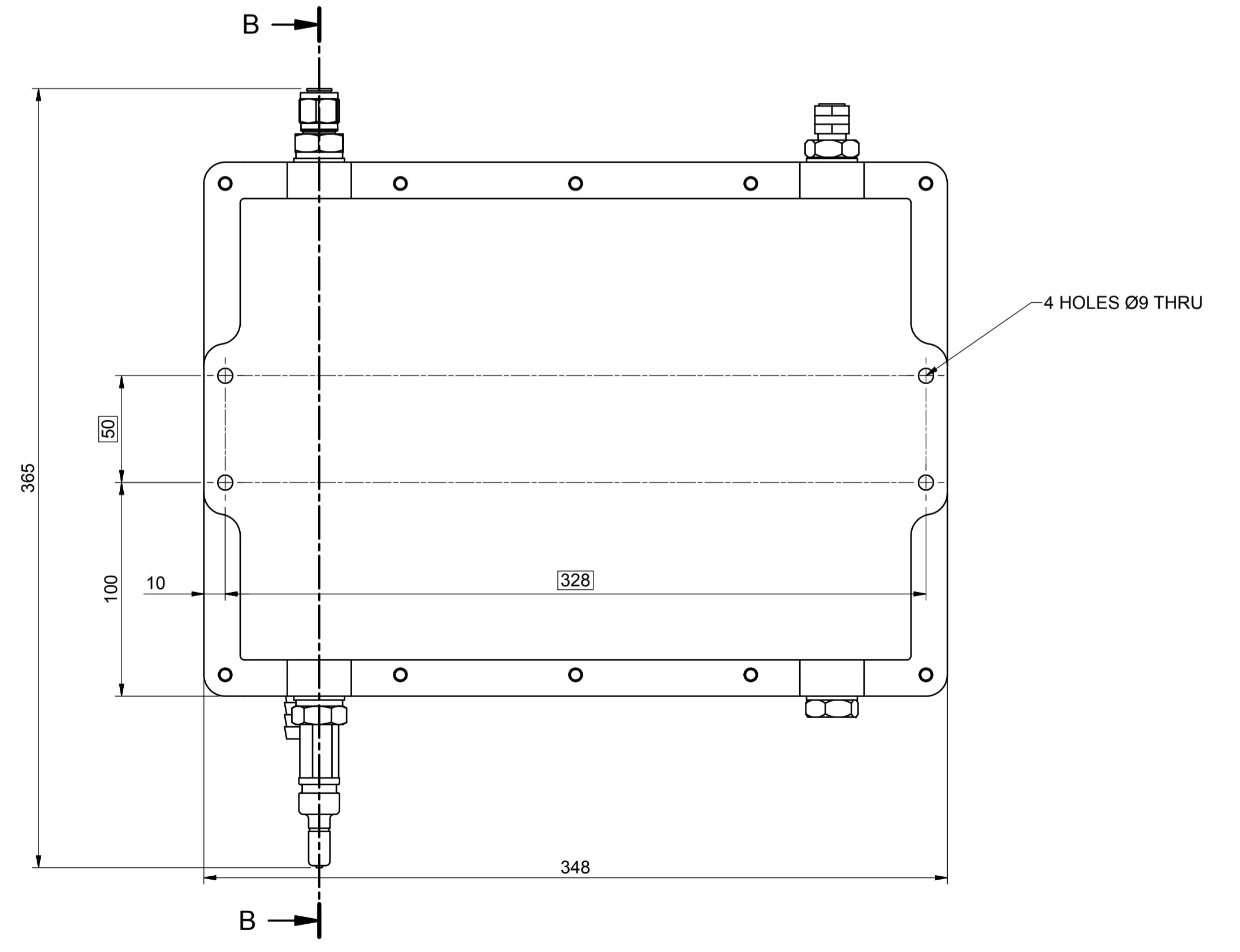
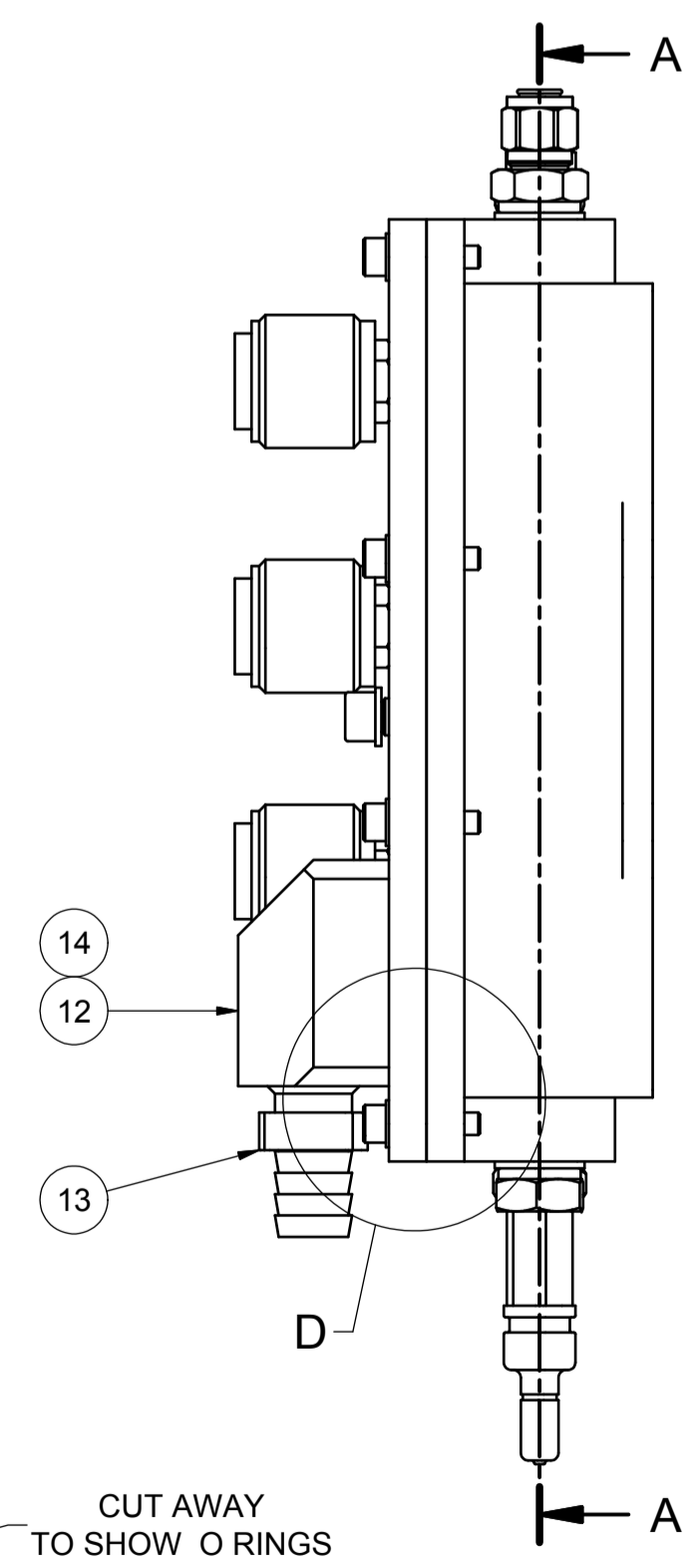
SECTION B-B



SECTION A-A



DETAIL D

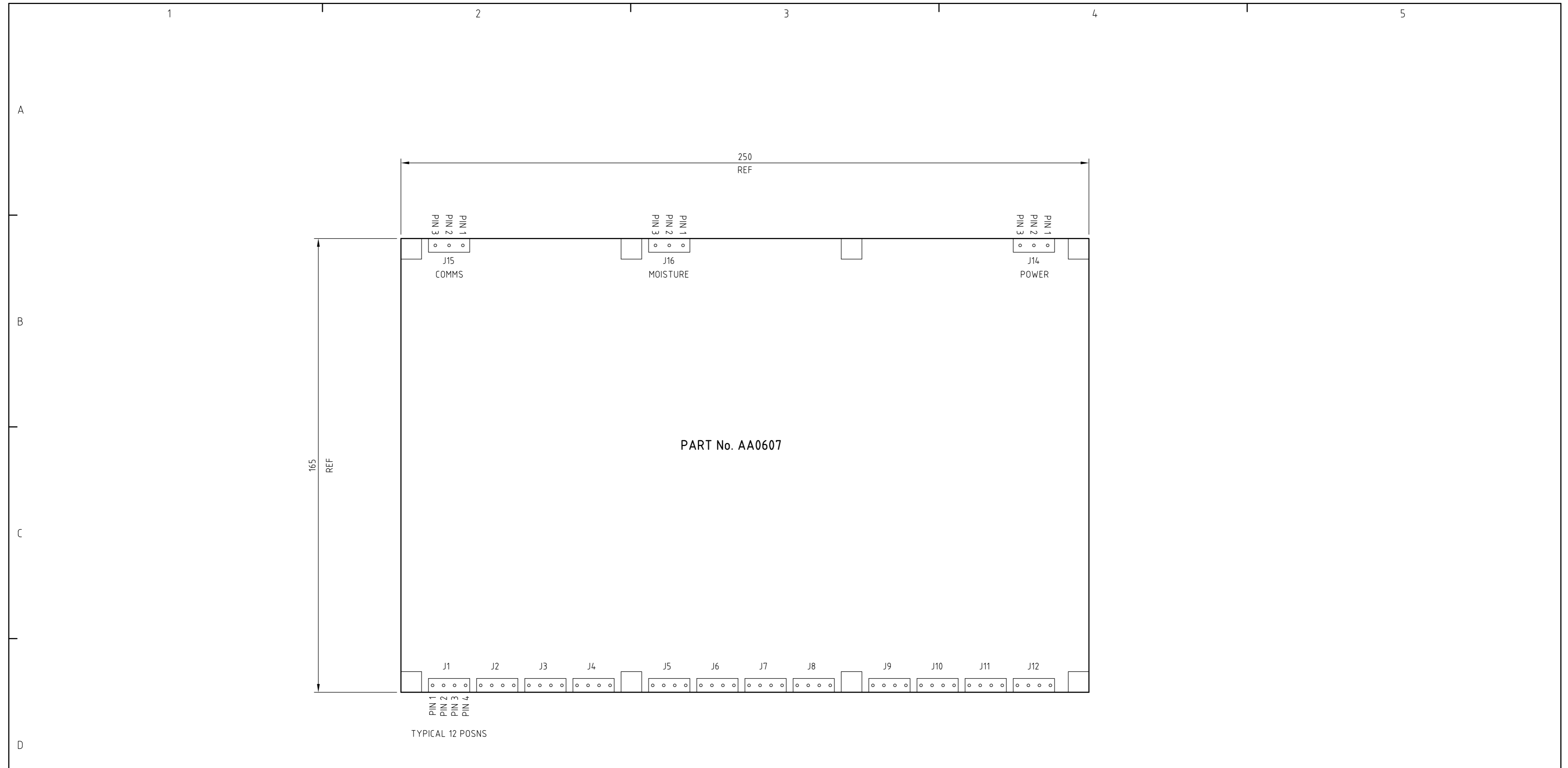


PARTS LIST				
ITEM	PART No	DESCRIPTION	QTY	
1	AA0607	PCB LAMP DIMMING 12 CHANNEL	1	
2	AA3052	PLATE, PCB MOUNT	1	
3	AA3153	ADAPTOR MALE 3/8"BSP x 3/8" STANDPIPE	1	
4	AA3194	CONNECTOR MALE 3/8"BSP x 3/8" TUBE / SWAGelok SS-600-1-6RS	1	
5	AA3214	PLUG 3/8"	1	
6	AA9979	PCB WATER INGRESS SENSOR	1	
7	AB0811	PILLAR M4x16 FEC890-870	2	
8	AB2033	MOUNTING SPACER M4x16	4	
9	AB8251	NIPPLE QUICK-CONNECT 3/8" SWAGelok SS-QC6-D-600	1	
10	AC4291	FACE PLT LAMP DIMMING 12+2 LAMPS	1	
11	AC4292	HOUSING LAMP DIMMING MOUNT 12+2 LAMPS	1	
12	AC4986	CONNECTOR BLOCK - 3/4" HOSE	1	
13	AC5402	O' CLIP S/S - 2327R 1"	1	
14	AC5780	HARNES LAMP DIMMING 19-WAY OIL FILLED	1	
15	AD8807	BRACKET END CLIP FIX 15 (PH3022263)	2	
16	AE6690	RESISTOR CARBON 120R 0.4WATT	1	
17	AH3211	SEAL O RING 330 X 3	1	
18	HRS1761285	MOUNTING DIN RAIL MINATURE 15 X 5.5MM	1	
19	PA0192	BOLT M6 x 25 SHCS SS A2-70	14	
20	PA0546	WASHER M6 FLAT BS4320 FORM B SS A2	18	
21	PA4781	NUT M5 SS A2-70	4	
22	PA5996	BOLT M3 x 6 PAN HD SS	1	
23	PB4335	SEAL O-RING BS225 NBR 90 1-1/2"SAE	1	
24	PB4999	FITTING PLUG 3/8"BSP HEX SS	1	
25	PB8757	BOLT M4 x 12 PAN HD SS	2	
26	PB9266	BOLT M6 x 20 SHCS SS A2-70	4	
27	PC2388	WASHER M8 FLAT BS4320 FORM B SS A2	1	
28	PC3342	BOLT M8 x 10 SHCS SS A2-70	1	
29	PD5641	INSERT HELICOIL M8 x 1D SS	1	
30	PD5645	INSERT HELICOIL M6 x 1.5D SS	18	
31	PD8370	VALVE RELIEF 15psi (1/4"NPT)	1	
32	PD8586	BOLT M4 x 10 SLTD PAN HD SS A2-70	4	
33	PF4721	TERMINAL PHOENIX MICRO 1.5	4	
34	PF4722	TERMINAL PHOENIX MICRO 1.5 EARTH	14	
35	PF4724	TERMINAL PHOENIX MICRO 1.5 END PLATE	1	
36	PG4735	CONNECTOR IMPULSE DLSA-F LOCKING RING	14	
37	PG4738	CONNECTOR BH-3-FS SS/IMPLUSE	14	
38	PK3432	FITTING MFA 3/8"BSP x 1/4" NPT SS	1	
39	WA0350	WASHER M4 FLAT BS4320 FORM A SS A2	4	
40	WA1078	SEAL BONDED 3/8"BSP SS-1.4436 (316S33) / SELF CENTERING NBR90	4	

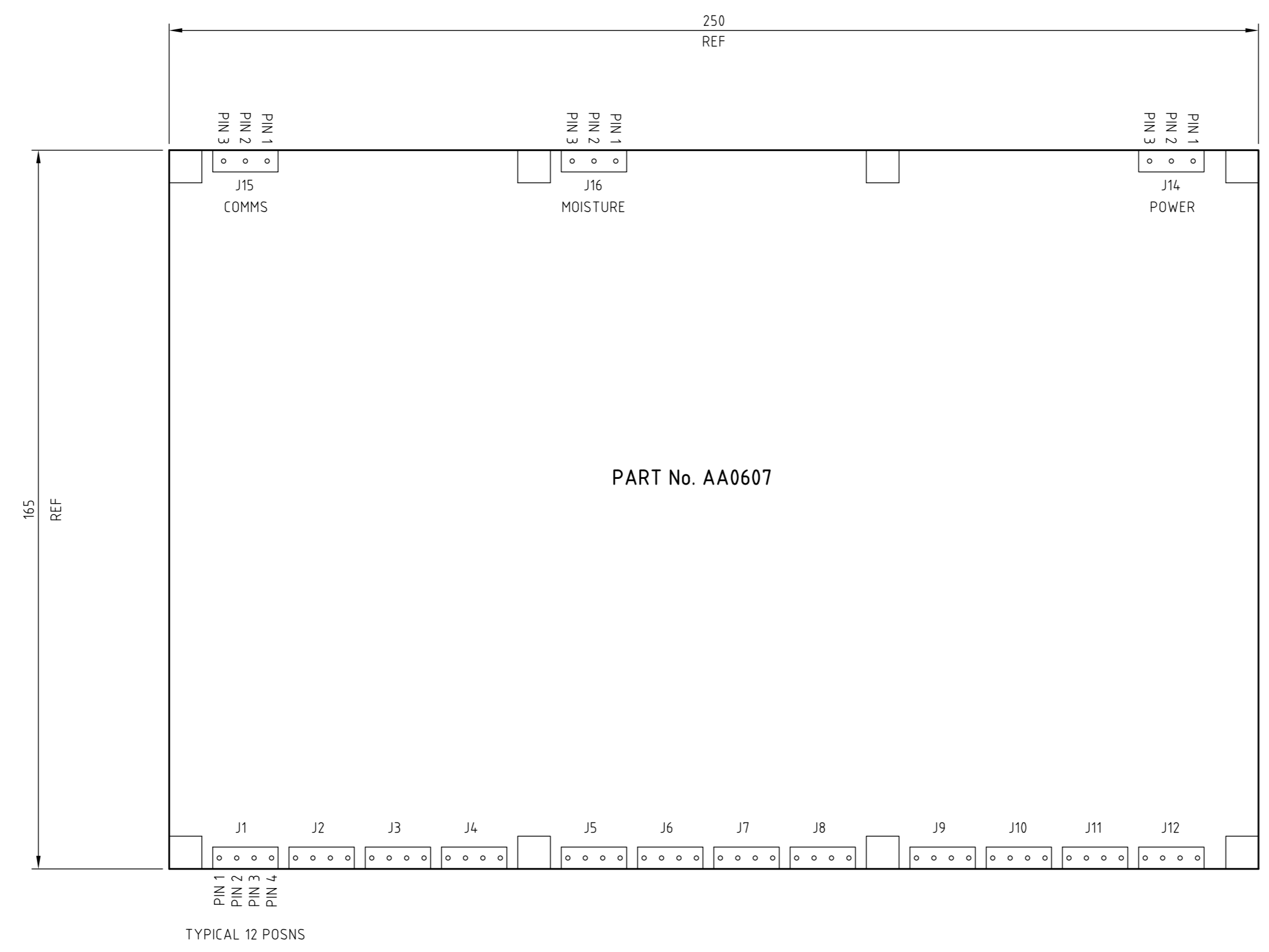
NOTE:-
 1. ASSEMBLE IN ACCORDANCE WITH SMD SPECIFICATION W100
 2. FOR WIRING DETAILS REFER TO ELECTRICAL DRAWING AC4931

REV	DATE	CHANGE COMMENT	ZONE	DRAWN	CHECKED	APPD	DATE	EST. MASS	DIMENSIONS	SCALE	PROJECTION 3RD	TITLE
3	05-JAN-11	ITEM 14 BALLOON ADDED	C2	PB	JPG	JPG	21-OCT-08	12 kg	mm	1:2	3RD	ASSEMBLY LAMP DIMMING HOUSING 12+2 LAMP
4	03-AUG-11	GEM STRUCTURE CHANGED TO REFLECT DRAWING	-	NRG	JAR	JAR						
5	21-SEPT-11	UPDATED TO BR2008 & ECN13193. PARTS LIST REORDERED & VIEW REMOVED	ALL	AT	KB	IMP	DESIGNED					
6	11-SEPT-12	REMOVED SPRING WASHERS ADDED ITEM37 ENGRAVING SHOWN ON PCB	ALL	DL	RJP	RJP	DRAWN					
7	25-SEPT-12	ADDED PARTS: WA0350, PA4781 AND AE6690. REMOVED PA0192 (MATS 3077)	ALL	PC	AT	PDW	JPG					
8	17 JUNE 13	O' RING OR_1040 REPLACED BY AH3211 (ECO-001933)	-	SR	RJP	RJP	CHECKED					

TOLERANCES UNLESS OTHERWISE STATED	MATERIAL:-	DO NOT SCALE	DRAWING No	REV No.	SIZE
UP TO 100	DO NOT SCALE	IF IN DOUBT ASK	AC4987	8	A1
100 TO 300					
300 TO 1000					
OVER 1000					
FABRICATION ±1.0 ±1.5 ±2.0 ±3.0					
MACHINED PART ±0.15 ±0.4 ±0.8 ±1.0					

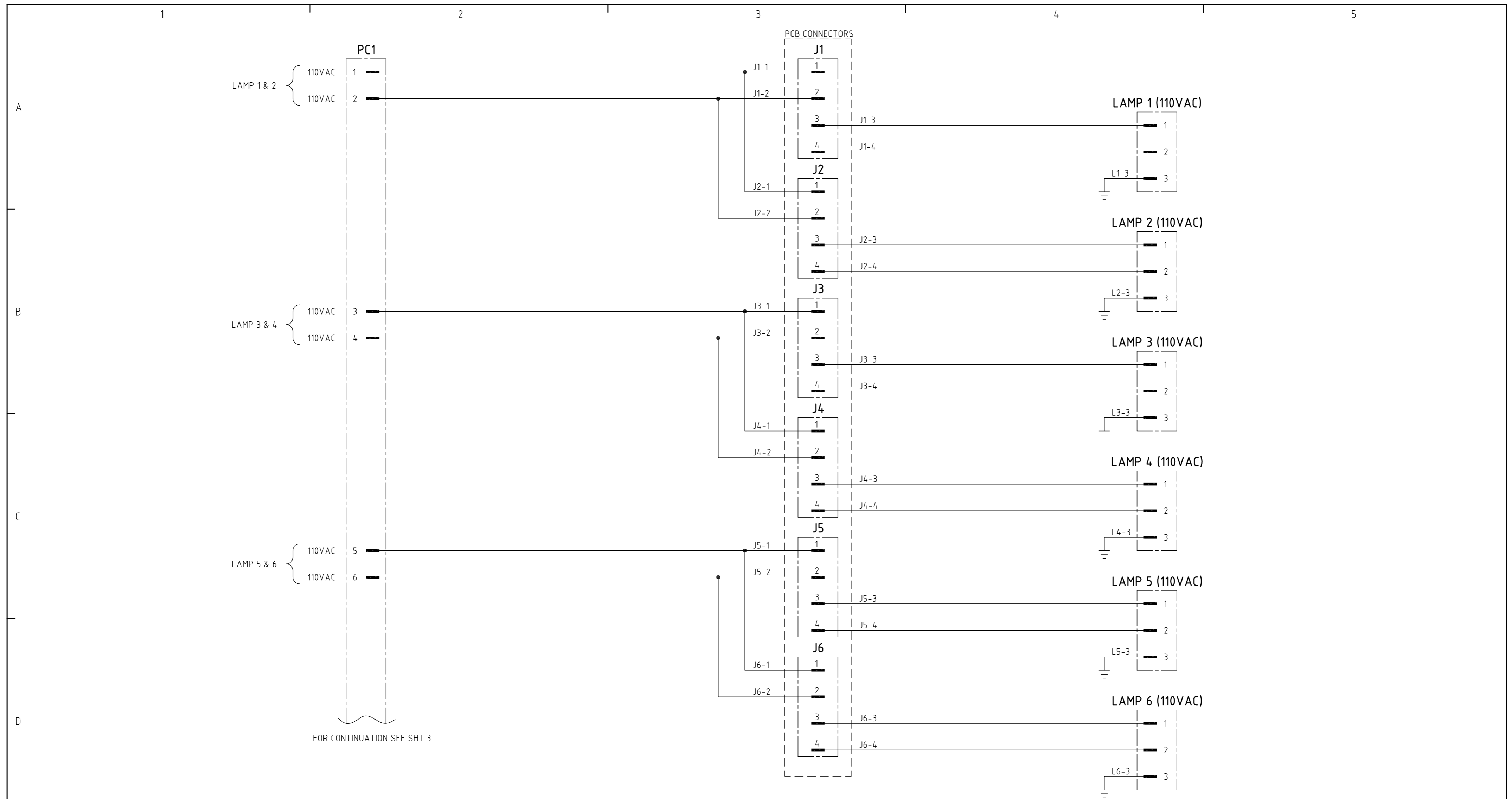


PART No. AA0607



PLAN VIEW ON PCB ASSEMBLY
SCALE 1:1

REV No	DATE	CHANGE	ZONE	DRAWN	CHECKED	APPROVED	TITLE						
1	17-05-10	NO CHANGE TO THIS SHEET.	-	J.R.S.	I.M.P.	I.M.P.	DRAWING LAMP DIMMING WIRING (12 CHANNEL & 2 X HIDS)						
2	09-12-10	TITLE CHANGED TO MATCH GEM.	-	W.R.	K.S.	K.S.							
3	21-09-11	NO CHANGE TO THIS SHEET.	-	A.T.	P.S.	I.M.P.							
							DESIGNED	DRAWN	CHECKED	APPROVED	DATE	DRAWING NO.	REV No.
							D.T.	D.T.	I.M.P.	I.M.P.	02-09-08	AC4931	3
ALL INTELLECTUAL PROPERTY RIGHTS SUBSISTING IN THESE DESIGNS ARE THE PROPERTY OF SOIL MACHINE DYNAMICS LTD. NO COPY IS TO BE MADE WITHOUT THE WRITTEN PERMISSION OF SOIL MACHINE DYNAMICS LTD. ANY PATENT APPLICATIONS, PATENTS AND/OR DESIGN APPLICATIONS, REGISTERED DESIGNS, DESIGN RIGHTS OR COPYRIGHT ARISING FROM OR CONTAINED IN THE DESIGNS ARE THE PROPERTY OF SOIL MACHINE DYNAMICS LTD AND ALL INFORMATION MUST BE HELD IN THE STRICTEST CONFIDENCE							SMD		Soil Machine Dynamics Ltd			A2	



A

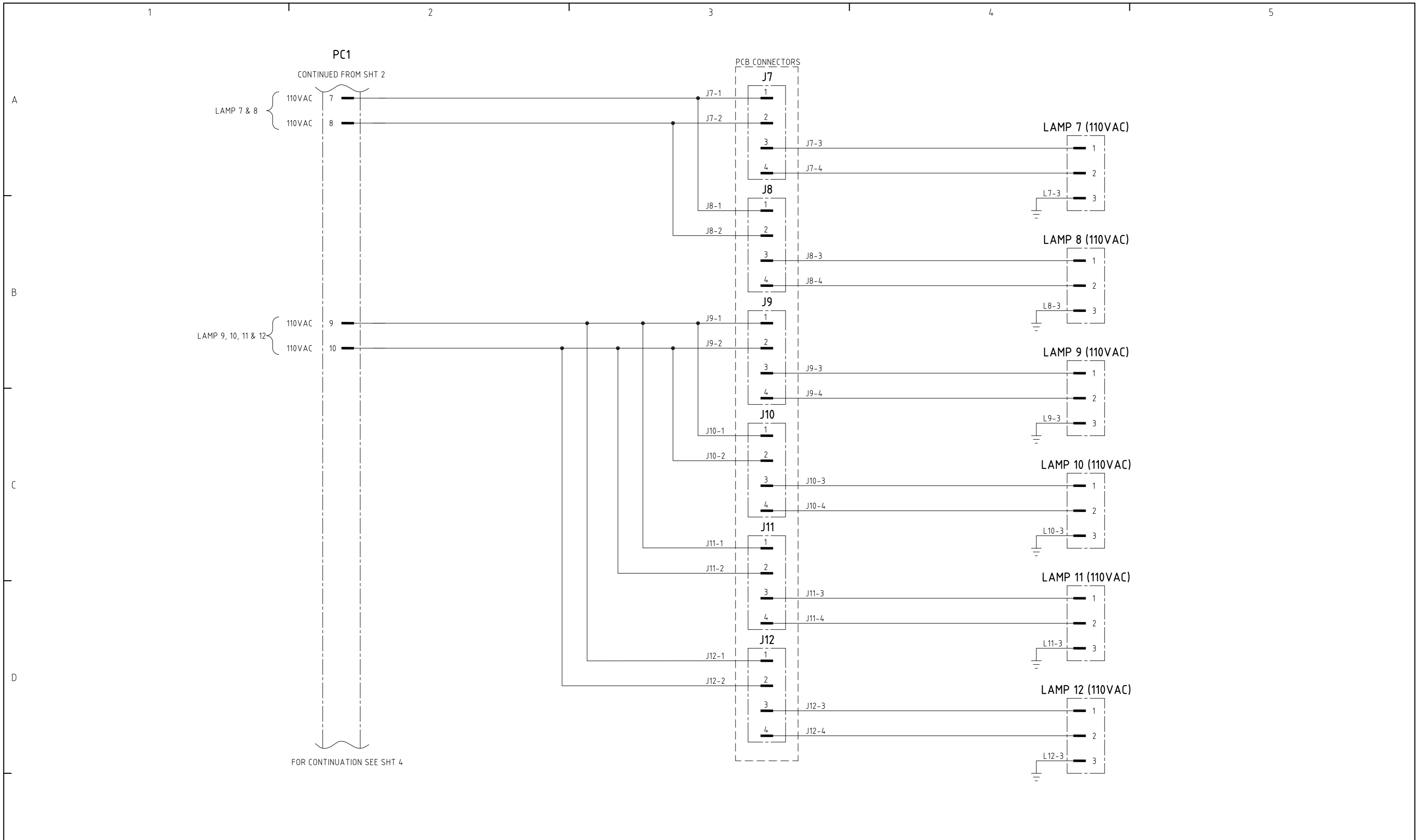
B

C

D

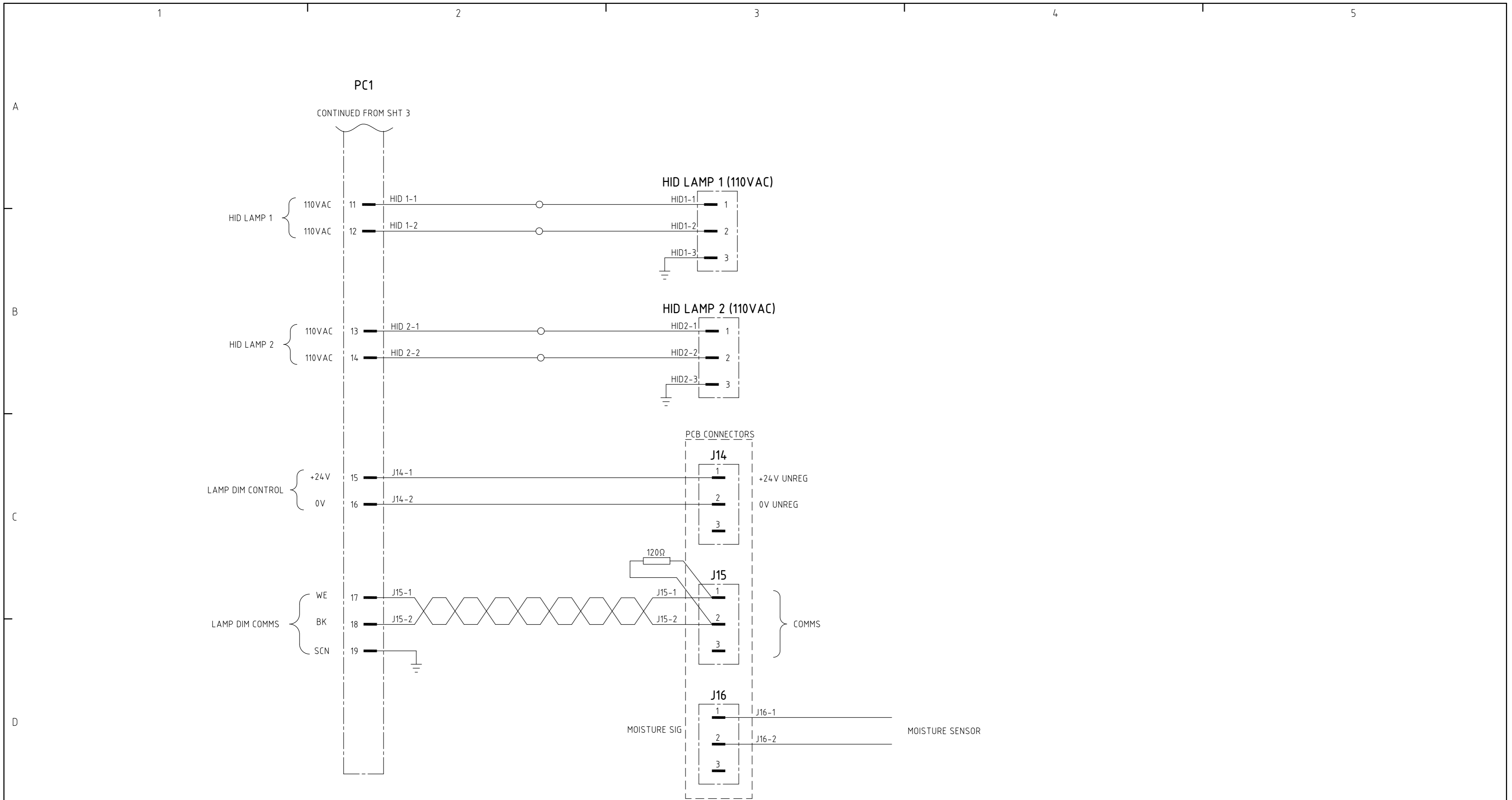
E

REV No	DATE	CHANGE	ZONE	DRAWN	CHECKED	APPROVED	TITLE						
1	17-05-10	NO CHANGE TO THIS SHEET.	-	J.R.S.	I.M.P.	I.M.P.	DRAWING LAMP DIMMING WIRING (12 CHANNEL & 2 X HIDS)						
2	09-12-10	TITLE CHANGED TO MATCH GEM.	-	W.R.	K.S.	K.S.							
3	21-09-11	CABLE Nos. ADDED & DELETED.	A2 - D4	A.T.	P.S.	I.M.P.							
							DESIGNED	DRAWN	CHECKED	APPROVED	DATE	DRAWING NO.	REV No.
							D.T.	D.T.	I.M.P.	I.M.P.	02-09-08	AC4931	3
							SHEET 2 OF 4						
ALL INTELLECTUAL PROPERTY RIGHTS SUBSISTING IN THESE DESIGNS ARE THE PROPERTY OF SOIL MACHINE DYNAMICS LTD. NO COPY IS TO BE MADE WITHOUT THE WRITTEN PERMISSION OF SOIL MACHINE DYNAMICS LTD. ANY PATENT APPLICATIONS, PATENTS AND/OR DESIGN APPLICATIONS, REGISTERED DESIGNS, DESIGN RIGHTS OR COPYRIGHT ARISING FROM OR CONTAINED IN THE DESIGNS ARE THE PROPERTY OF SOIL MACHINE DYNAMICS LTD AND ALL INFORMATION MUST BE HELD IN THE STRICTEST CONFIDENCE									Soil Machine Dynamics Ltd			A2	



REV No	DATE	CHANGE	ZONE	DRAWN	CHECKED	APPROVED	TITLE	DESIGNED	DRAWN	CHECKED	APPROVED	DATE	DRAWING NO.	REV No.	
1	17-05-10	NO CHANGE TO THIS SHEET.	-	J.R.S.	I.M.P.	I.M.P.	DRAWING LAMP DIMMING WIRING (12 CHANNEL & 2 X HIDS)						AC4931	3	
2	09-12-10	TITLE CHANGED TO MATCH GEM.	-	W.R.	K.S.	K.S.									
3	21-09-11	CABLE Nos. ADDED & DELETED.	A2 - D4	A.T.	P.S.	I.M.P.									
								D.T.	D.T.	I.M.P.	I.M.P.	02-09-08	SHEET 3 OF 4		

ALL INTELLECTUAL PROPERTY RIGHTS SUBSISTING IN THESE DESIGNS ARE THE PROPERTY OF SOIL MACHINE DYNAMICS LTD. NO COPY IS TO BE MADE WITHOUT THE WRITTEN PERMISSION OF SOIL MACHINE DYNAMICS LTD. ANY PATENT APPLICATIONS, PATENTS AND/OR DESIGN APPLICATIONS, REGISTERED DESIGNS, DESIGN RIGHTS OR COPYRIGHT ARISING FROM OR CONTAINED IN THE DESIGNS ARE THE PROPERTY OF SOIL MACHINE DYNAMICS LTD AND ALL INFORMATION MUST BE HELD IN THE STRICTEST CONFIDENCE



REV No	DATE	CHANGE	ZONE	DRAWN	CHECKED	APPROVED	TITLE						
1	17-05-10	PC1-19 CHANGED FROM COMMS SCREEN TO EARTH.	D2	J.R.S.	I.M.P.	I.M.P.	DRAWING LAMP DIMMING WIRING (12 CHANNEL & 2 X HIDS)						
2	09-12-10	TITLE CHANGED TO MATCH GEM.	-	W.R.	K.S.	K.S.							
3	21-09-11	CABLE Nos. ADDED/DELETED, RESISTOR ADDED, TW. Pr. COLOUR AMENDED.	D2, B3-D3	A.T.	P.S.	I.M.P.							
							DESIGNED	DRAWN	CHECKED	APPROVED	DATE	DRAWING NO.	REV No.
							D.T.	D.T.	I.M.P.	I.M.P.	02-09-08	AC4931	3
ALL INTELLECTUAL PROPERTY RIGHTS SUBSISTING IN THESE DESIGNS ARE THE PROPERTY OF SOIL MACHINE DYNAMICS LTD. NO COPY IS TO BE MADE WITHOUT THE WRITTEN PERMISSION OF SOIL MACHINE DYNAMICS LTD. ANY PATENT APPLICATIONS, PATENTS AND/OR DESIGN APPLICATIONS, REGISTERED DESIGNS, DESIGN RIGHTS OR COPYRIGHT ARISING FROM OR CONTAINED IN THE DESIGNS ARE THE PROPERTY OF SOIL MACHINE DYNAMICS LTD AND ALL INFORMATION MUST BE HELD IN THE STRICTEST CONFIDENCE												SHEET 4 OF 4	