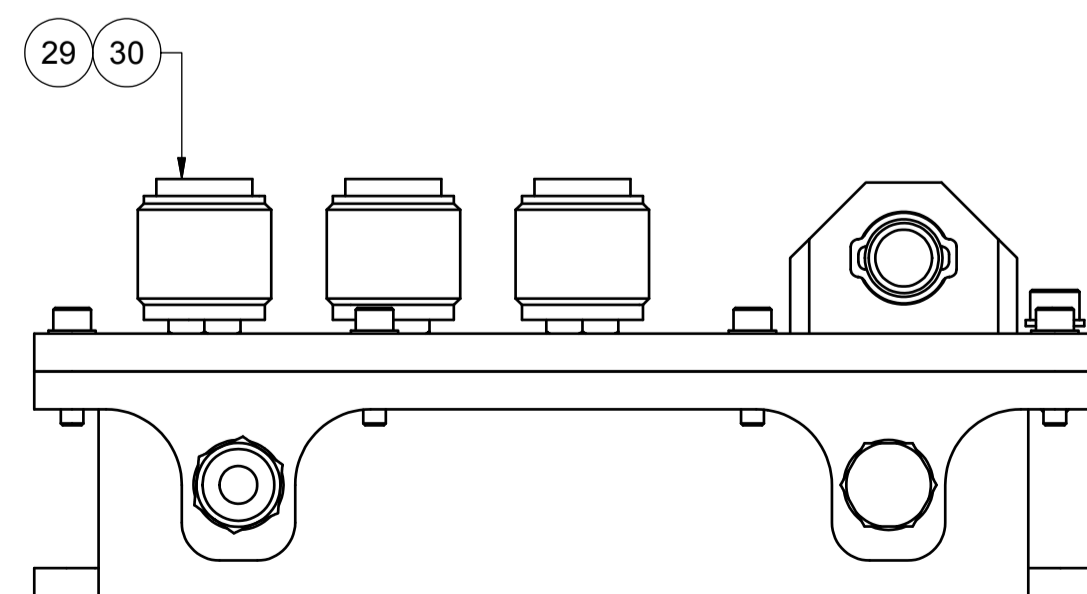
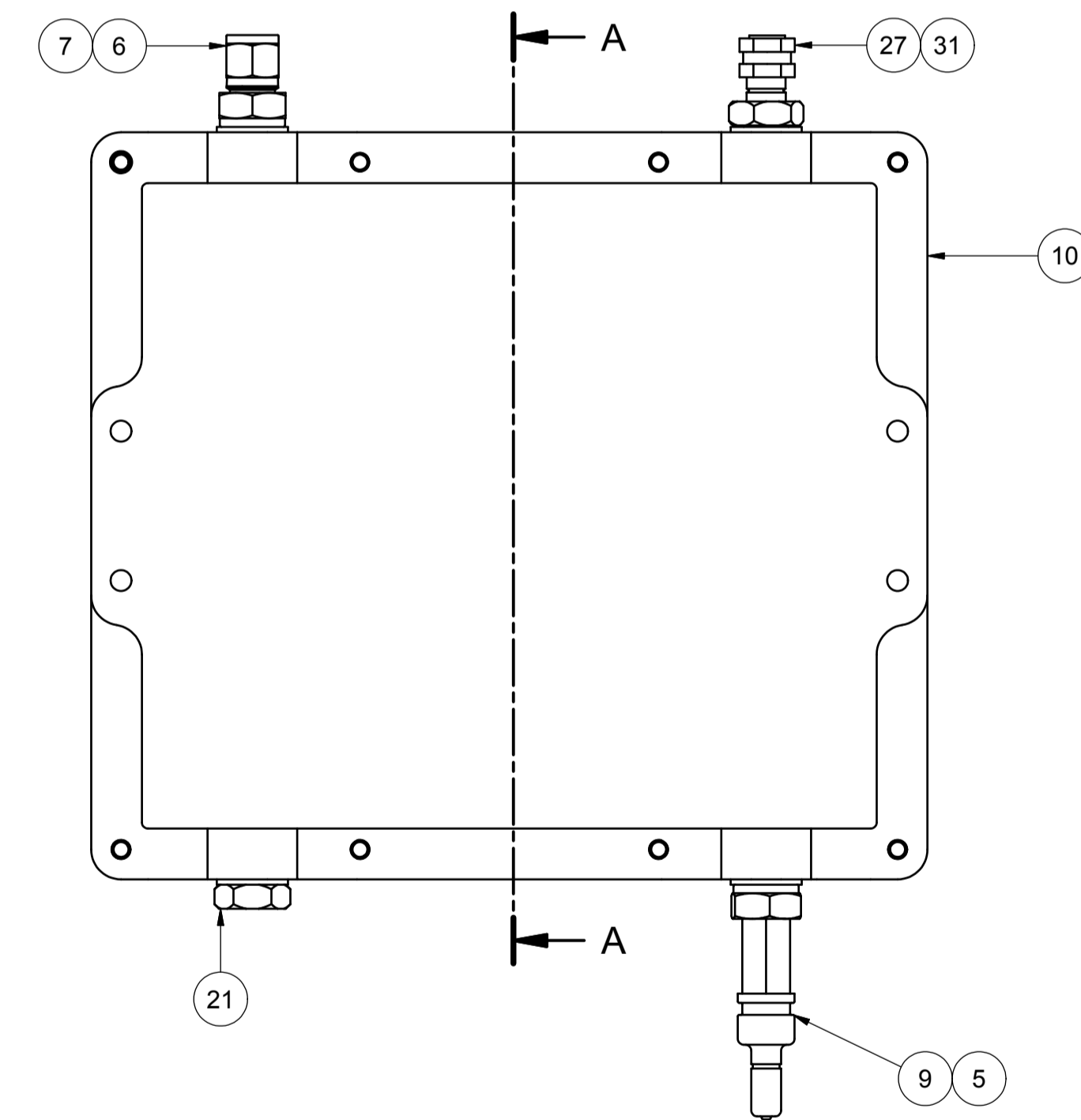
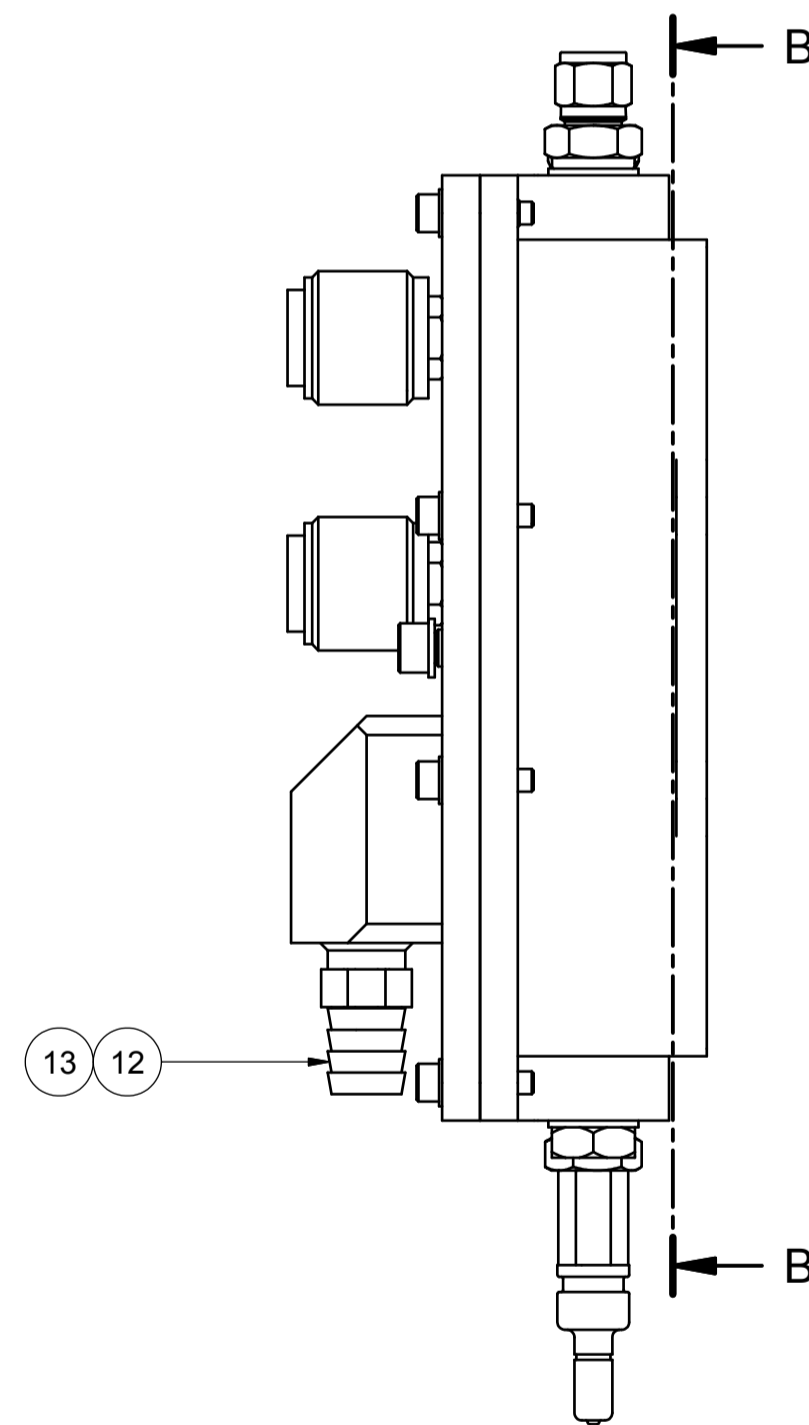
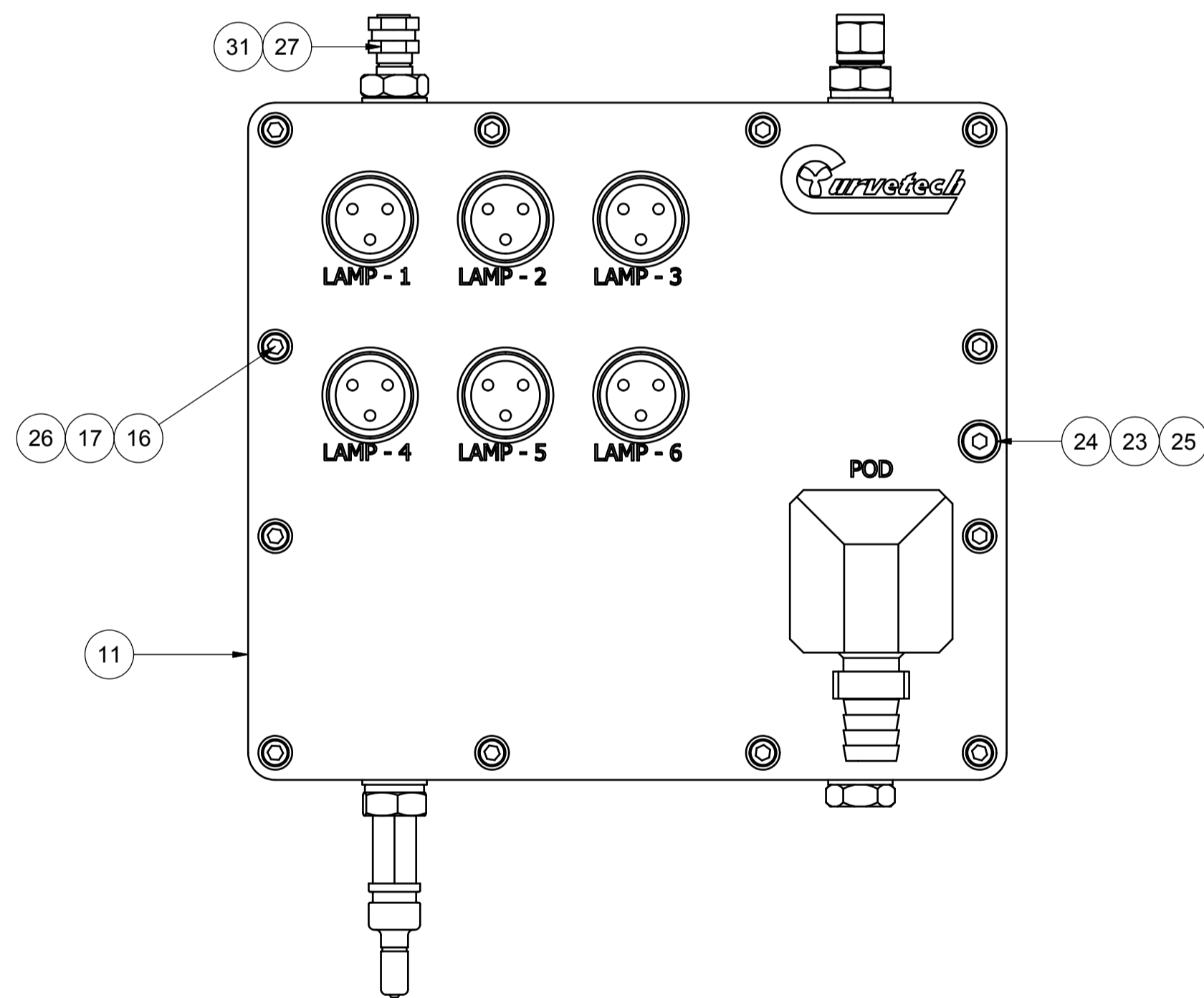
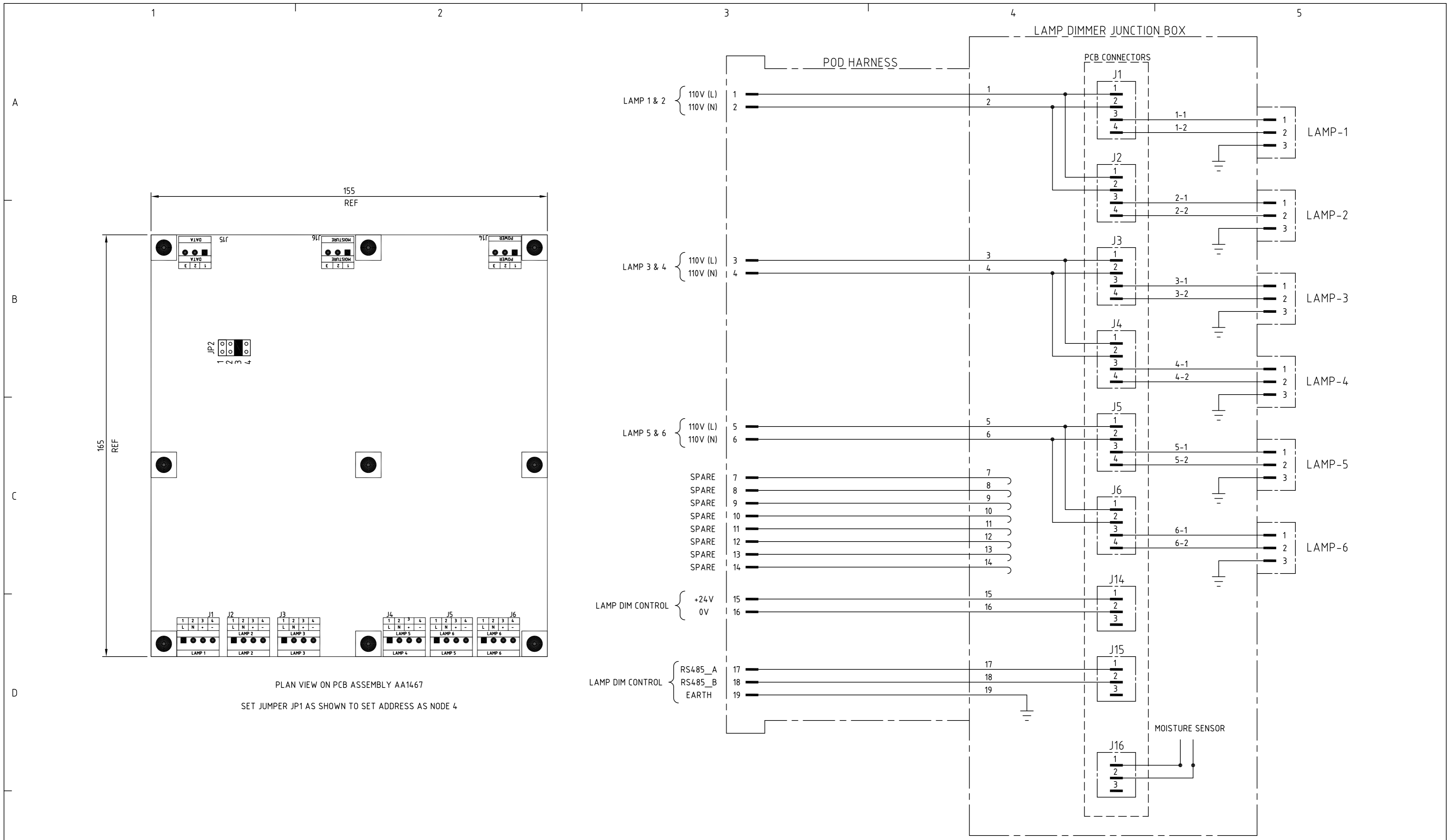


PARTS LIST				
ITEM	QTY	PART No	DESCRIPTION	
1	4	AA0706	STAND OFF SPACER M3x20	
2	1	AA1467	PCB MULTIFUNCTION VALVE CONTROLLER	
3	1	AA1567	PLT PCB MOUNT	
4	4	AA2878	BOLT M3 x 8 PAN HD SS	
5	1	AA3153	CONNECTOR MALE 3/8"BSP - 3/8" STAND PIPE	
6	1	AA3194	CONNECTOR MALE 3/8"BSP - 3/8" TUBE	
7	1	AA3214	PLUG 3/8" SWAGELOK SS-600-P	
8	1	AA9979	PCB WATER INGRESS SENSOR	
9	1	AB8251	NIPPLE QUICK-CONNECT 3/8"	
10	1	AC4925	PLATE LAMP DIMMING MOUNT	
11	1	AC4929	PLATE LAMP DIMMING FACE (6 LAMPS)	
12	1	AC4986	CONNECTOR BLOCK	
13	1	AC5402	O' CLIP S/S - 1720R/3/4"	
14	1	AC6042	HARNESS LAMP DIMMING 6	
15	2	OR1040	O-RING CORD 3mm NBR	
16	16	PA0192	BOLT, M6 x 25L, SHCS, SS	
17	16	PA0546	WASHER M6 FLAT SS	
18	1	PA5996	BOLT M3 x 6 PAN HD SS	
19	1	PB3642	TERMINAL RAIL MINIATURE TS15	
20	1	PB4335	O' RING 1-1/2" SAE	
21	1	PB4999	FITTING PLUG 3/8"BSP HEX SS	
22	6	PB8798	TERMINAL ENTRELEC RS 426-244	
23	1	PC2388	WASHER M8 FLAT SS	
24	1	PC6560	BOLT M8x12 SHCS SS	
25	1	PD5642	HELICOIL INSERT M8x1.5 SS	
26	16	PD5645	HELICOIL INSERT M6x1.5D SS	
27	1	PD8370	VALVE RELIEF 15psi (1/4"NPT)	
28	2	PD9059	BOLT M4 x 8 PAN HD SS	
29	6	PG4735	CONNECTOR IMPULSE DLSA-F	
30	6	PG4738	CONNECTOR BH-3-FS SS/ IMPLUSE	
31	1	PK3432	FITTING MFA 3/8" BSP x 1/4" NPT SS	
32	4	WA1078	SEAL BONDED 3/8" SS	



ESTIMATED MASS = 9 kg

REV No	DATE	CHANGE COMMENT	ZONE	DRAWN	CHECKED	MATERIAL	DIMENSIONS mm	SCALE	PROJECTION 3RD	TITLE
								1:2		G.A. ASSEMBLY LAMP DIMMING 6 LAMP
										DO NOT SCALE
										DRAWING No AC4930
										ISSUE No 0
<small>ALL INTELLECTUAL PROPERTY RIGHTS SUBSISTING IN THESE DESIGNS ARE THE PROPERTY OF SOIL MACHINE DYNAMICS LTD. NO COPY IS TO BE MADE WITHOUT THE WRITTEN PERMISSION OF SOIL MACHINE DYNAMICS LTD. ANY PATENT APPLICATIONS, PATENTS AND / OR DESIGN APPLICATIONS, REGISTERED DESIGNS, DESIGN RIGHTS OR COPYRIGHT ARISING FROM OR CONTAINED IN THE DESIGNS ARE THE PROPERTY OF SOIL MACHINE DYNAMICS LTD. AND ALL INFORMATION MUST BE HELD IN THE STRICTEST CONFIDENCE.</small>										Soil Machine Dynamics CAD A1 SHEET 1 OF 1



PLAN VIEW ON PCB ASSEMBLY AA1467
SET JUMPER JP1 AS SHOWN TO SET ADDRESS AS NODE 4

NO.	DATE	CHANGE	ZONE	DRAWN	CHECK	MATERIAL	DIMENSIONS	SCALE	PROJECTION 3RD	TITLE				
1	13.07.10	PIN 19 EARTHED	D4	K.S.	I.M.P.	-	-	-		WIRING DIAGRAM - 6 CHANNEL LAMP DIMMER				
						DESIGNED	TOLERANCES UNLESS OTHERWISE STATED				DO NOT SCALE	DRAWING NO. AC6883	ISSUE NO. 1	
						WK	DIMENSION mm							
						DATE	FABRICATION	UP TO 100	100 TO 300	300 TO 1000	OVER 1000	SHEET 1 OF 1		
						09-01-09	± 1.0	± 1.5	± 2.0	± 3.0				
						CHECKED	MACHINED PART	± 0.15	± 0.4	± 0.8	± 1.0			
						IMP								
ALL INTELLECTUAL PROPERTY RIGHTS SUBSISTING IN THESE DESIGNS ARE THE PROPERTY OF SOIL MACHINE DYNAMICS LTD. NO COPY IS TO BE MADE WITHOUT THE WRITTEN PERMISSION OF SOIL MACHINE DYNAMICS LTD. ANY PATENT APPLICATIONS, PATENTS AND/OR DESIGN APPLICATIONS, REGISTERED DESIGNS, DESIGN RIGHTS OR COPYRIGHT ARISING FROM OR CONTAINED IN THE DESIGNS ARE THE PROPERTY OF SOIL MACHINE DYNAMICS LTD AND ALL INFORMATION MUST BE HELD IN THE STRICTEST CONFIDENCE.											Soil Machine Dynamics		A2 CAD	