

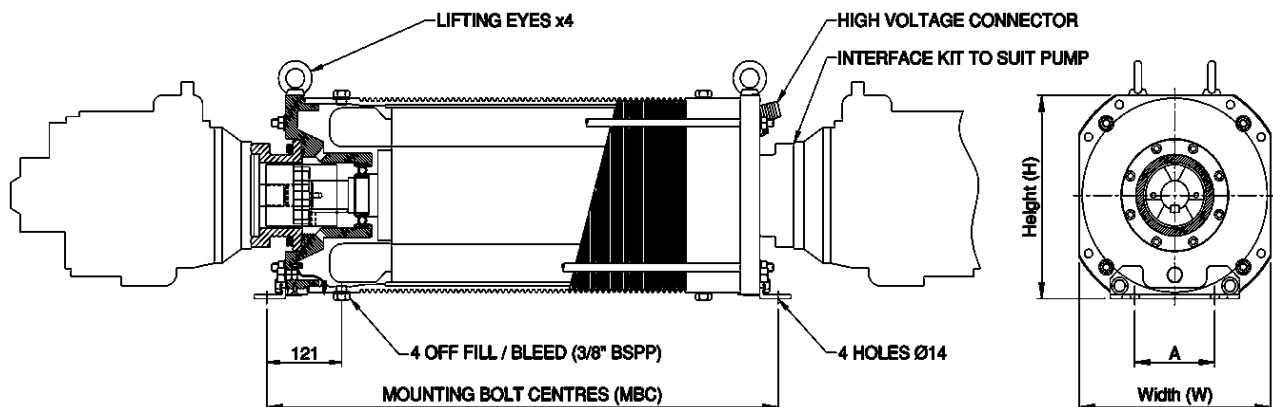
POWER UNITS

SMD offer a range of oil filled submersible power packs suitable for hydraulic power generation or running a variety of water pumps. The units are designed for work class ROVs, trenchers, ploughs, dredge systems and other customer design applications which demand long term reliability and high performance subsea. Aluminium or stainless steel versions are available and customers can choose from a range of electrical connector options. Curvetech™ Power Units are dual-ended and can interface with a range of industry standard pumps mounted on one or both ends of the unit.

Each unit is tested and certified to run at full power for prolonged periods of time. This is achieved using a unique winding technique which ensures cooler operation. Built in sensors monitor winding temperature as opposed to oil temperature and all motors incorporate oversized bearings for smooth concentric running.

FEATURES

- 3kV High voltage windings for optimum subsea operation
- Highly configurable pump options available (single, double and through drive)
- Adaptable for use with industry standard hydraulic & water pumps
- Internal oil cooled with external housing cooling ribs
- 2 year warranty as standard
- Optional DVECSII surface control equipment



ELECTRICAL SPECIFICATIONS

Part Number	Power		Poles	Frequency Hz	Speed RPM	Voltage	Connector
	SHP	kW					
AF0035	11.5	8.5	4	50 / 60	1450 / 1750	2400 / 3000	Burton
AG2106	11.5	8.5	4	50 / 60	1450 / 1750	2400 / 3000	Seacon
AA9962	11.5	8.5	4	50 / 60	1450 / 1750	2400 / 3000	Impulse
AJ3255	20	15	4	50 / 60	1450 / 1750	2400 / 3000	Burton
AJ3030	29	22	4	50 / 60	1450 / 1750	2400 / 3000	Burton
AD8190	29	22	4	50 / 60	1450 / 1750	2400 / 3000	Seacon
AC8830	60	45	2	50 / 60	2900 / 3500	2400 / 3000	Burton
AE6464	100	75	2	50 / 60	2900 / 3500	2400 / 3000	Burton
AG9601	125	93	4	50 / 60	1450 / 1750	2400 / 3000	Burton
AH9640	150	110	2	50 / 60	2900 / 3500	2400 / 3000	Burton
AJ2138	250	188	4	50 / 60	1450 / 1750	2400 / 3000	Burton
AH4541	400	300	4	50 / 60	1450 / 1750	2400 / 3000	Burton
AF5658	535	400	4	50 / 60	1450 / 1750	2400 / 3000	Burton

HYDRAULIC SPECIFICATIONS

Part Number	Main Pump 1				Main Pump 2				Notes
	Type	cc	Nominal / Peak Pressure (Bar)	Max Flow (LPM)	Type	cc	Nominal / Peak Pressure (Bar)	Max Flow (LPM)	
AF0035	A10VSO ¹	18cc	280 / 350	31.5	-	-	-	-	
AG2106	A10VSO ¹	18cc	280 / 350	31.5	-	-	-	-	
AA9962	A10VSO ¹	18cc	280 / 350	31.5	-	-	-	-	
AJ3255	MPV/R-01 ²	28cc	300 / 350	49.0	-	-	-	-	
AJ3030	MPV/R-01 ²	28cc	300 / 350	49.0	-	-	-	-	
AD8190	A10VSO ¹	32cc	280 / 350	56.0	-	-	-	-	
AC8830	MPV/R-01 ²	28cc	300 / 350	98.0	- ³	-	-	-	
AE6464	A7VO ¹	55cc	350 / 400	137.0	- ³	-	-	-	
AG9601	A10VSO ¹	140cc	280 / 350	245.0	- ³	-	-	-	
AH9640	A7VO ¹	55cc	350 / 400	180.0	MPV/R-01 ²	28cc	300 / 350	93.0	
AJ2138	K3VL ⁴	200cc	320 / 350	350.0	K3VL ⁴	140cc	320 / 350	245.0	Integrated motor cooling
AH4541	90L180 ⁵	180cc	450 / 480	315.0	90L180 ⁵	180cc	450 / 480	315.0	Integrated motor cooling
AF5658	90L180 ⁵	180cc	450 / 480	315.0	90L180 ⁵	180cc	450 / 480	315.0	LHS has 4x pumps in total including additional 1x55cc & 1x 17cc pumps
	90L180 ⁵	250cc	450 / 480	437.5	90L180 ⁵	130cc	450 / 480	315.0	RHS has 3x pumps in total including additional 1x18cc pump

Notes:

¹Bosch Rexroth

²Linde

³Blanking plate provided for use with 3rd party pump

⁴Kawasaki

⁵Sauer Danfoss

⁵Standard pump options shown. Alternative pump arrangements can be provided to meet customer specific requirements.

MECHANICAL SPECIFICATIONS

Part Number	Motor & Pump Weight in Air		Motor & Pump Length (L)		Motor & Pump Width (W)		Motor & Pump Height (H)		Mounting Bolt Centres (MBC)		Mounting Centre (A)	
	kg	lbs	mm	in	mm	in	mm	in	mm	in	mm	in
AF0035	126	278	761	29.96	283	11.14	355	13.98	532	20.95	130	5.12
AG2106	126	278	761	29.96	283	11.14	355	13.98	532	20.95	130	5.12
AA9962	126	278	761	29.96	283	11.14	355	13.98	532	20.95	130	5.12
AJ3255	103	227	710	27.95	283	11.14	294	11.57	426	16.77	170	6.69
AJ3030	110	243	740	29.13	283	11.14	294	11.57	456	17.95	170	6.69
AD8190	84	185	773	30.43	288	11.33	326	12.83	456	17.95	170	6.69
AC8830	146	322	731	28.78	320	12.60	398	15.67	460	18.11	272	10.71
AE6464	210	463	950	37.40	336	13.29	398	15.67	590	23.23	272	10.71
AG9601	240	529	1208	47.56	310	12.20	310	12.20	829	32.64	230	9.06
AH9640	278	613	1135	44.69	395	15.55	458	18.03	550	21.65	140	5.51
AJ2138	560	1235	1609	63.35	383	15.08	486	19.13	912	35.90	270	10.63
AH4541	1060	2337	2138	84.17	508	20.00	583	22.95	627	24.69	393	15.47
AF5658	1575	3473	3434	135.20	520	20.47	610	24.0	1005	39.56	468.2	18.43

Notes:

¹Refer to general arrangement drawings for further details.

SURFACE CONTROL ACCESSORIES

Part Number	Description
-	High Voltage Power Distribution Unit
-	Low Voltage Power Distribution Unit
-	DVECSII Control System

