

PARTS LIST			
ITEM	PART No	DESCRIPTION	QTY
1	AA7773	HYD MOTOR 32CC LIGHT WEIGHT	1
2	AA7776	KORT NOZZLE HTE 380-32	1
3	AB0882	BLEED SCREW M6	1
4	OB_1516	BOLT M6 x 10 SKT BTN HD SS A4-80	2
5	OF_2009	PLUG 1/8" BSPP PLASTIC	1
6	ON_1015	NNUT M20 x 1.5 x 15L NYLOC SS A4-80	1
7	OR_1211	O RING BS009 (5.28 x 1.78)	4
8	OV_1110	THREAD INSERT 230/300/380	8
9	OV_3006-2	SHAFT SEAL RING HT 300/380	1
10	OV_3007	Propellor Cap HT 300/380	1
11	OV_3008	Seal Retainer HT 300/380	1
12	OV_3015	BEARING COMBINED NBX4032	1
13	OV_3016	NEEDLE BEARING HT 300/380	1
14	OV_3017	BEARING INNER RING HT300/380 SS	2
15	OV_3019	CURVETECH THRUSTER KEY 6mm SS	1
16	OV_3024	O RING HT 300/380 NITRILE	1
17	OV_3036	LIP SEAL HT 300/380	1
18	OV_3037	PTFE SEAL HT 300/380	1
19	OV_3042	PROPELLOR HT 380	1
20	OV_3115	INNER BEARING HT 300/380-23/32REX	1
21	OV_3116	BEARING COMBINED NBX5035Z	1
22	OV_3137	PEDESTAL HTE 380	1
23	OV_3139	SHAFT HTE 380	1
24	OV_3140	SLEEVE THRUST BEARING RETAINER	1
25	OV_3141	LOCKING COLLAR HTE THRUSTER BEARING	1
26	PA4794	BOLT M6 X 40 SHCS SS A2-70	4
27	PA4860	WASHER M12 FLAT BS4320 FORM B SS A2	4
28	PA4884	WASHER M20 FLAT BS4230 FORM B SS A2	1
29	PB9185	BOLT M12 x 30 SHCS SS A4-80	4
30	PC0228	BOLT M5 x 20 SHCS SS A2-70	4
31	PC8485	BOLT M6 x 16 SKT BTN HD SS A2-70	1
32	PC9412	BOLT M5 x 30 SHCS SS	1
33	PK0219	SEAL O-RING 80.6 x 2.62	1

NOTES :-

1. ASSEMBLE IN ACCORDANCE WITH SMD SPECIFICATION W100.
2. CASE DRAIN - SHOULD BE 0 - 3 BAR - SIZE FITTINGS ACCORDINGLY.
3. COMPENSATOR - PRESSURE SHOULD BE 0 - 1 BAR.
BEARING HOUSING MUST BE COMPENSATED WITH HYDRAULIC OIL.
BLEED POINT SHOULD BE POSITIONED AT HIGHEST POINT.
4. A & B PORTS - MAX PRESURE 300 BAR

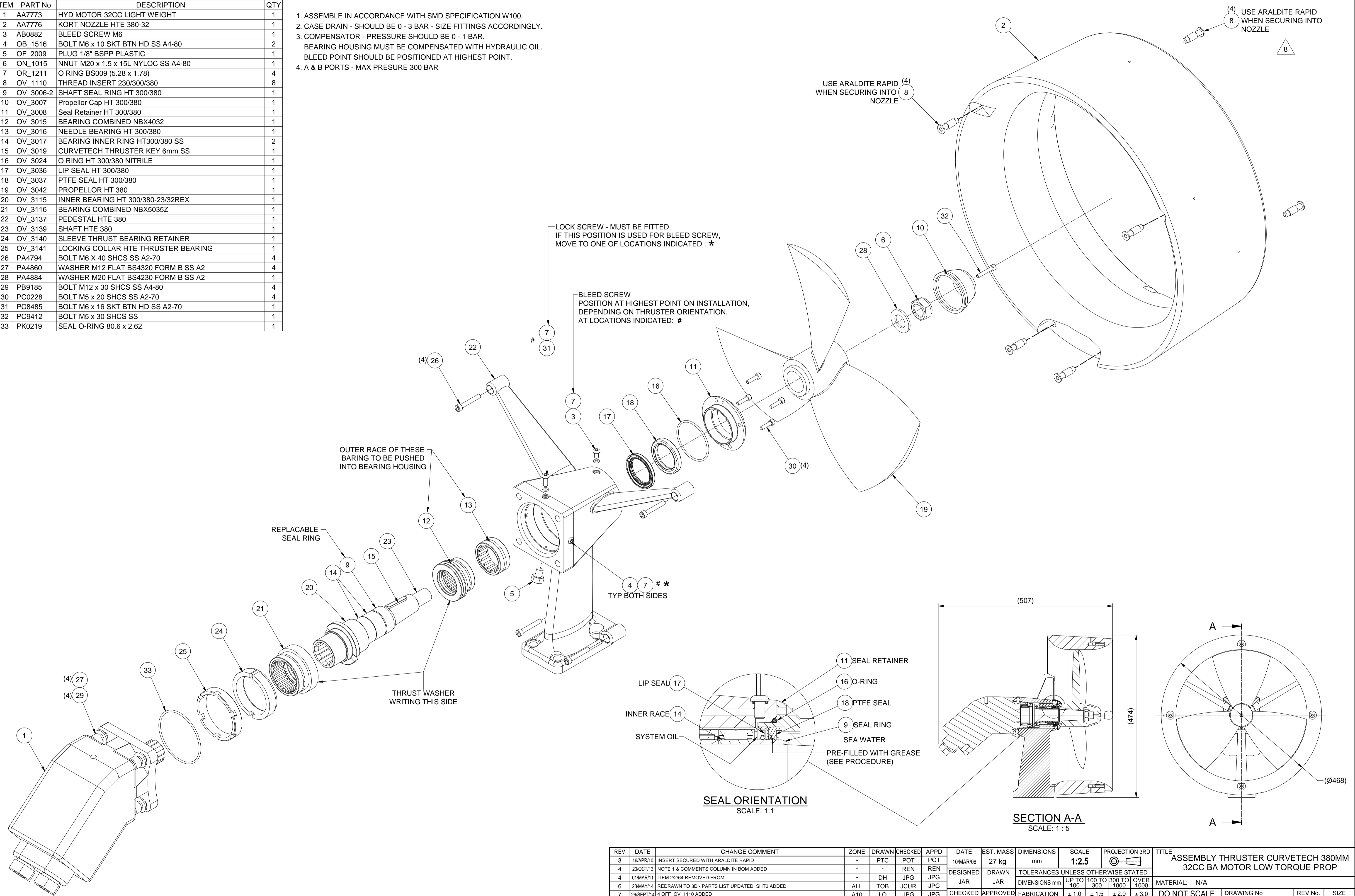
A

B

C

D

E



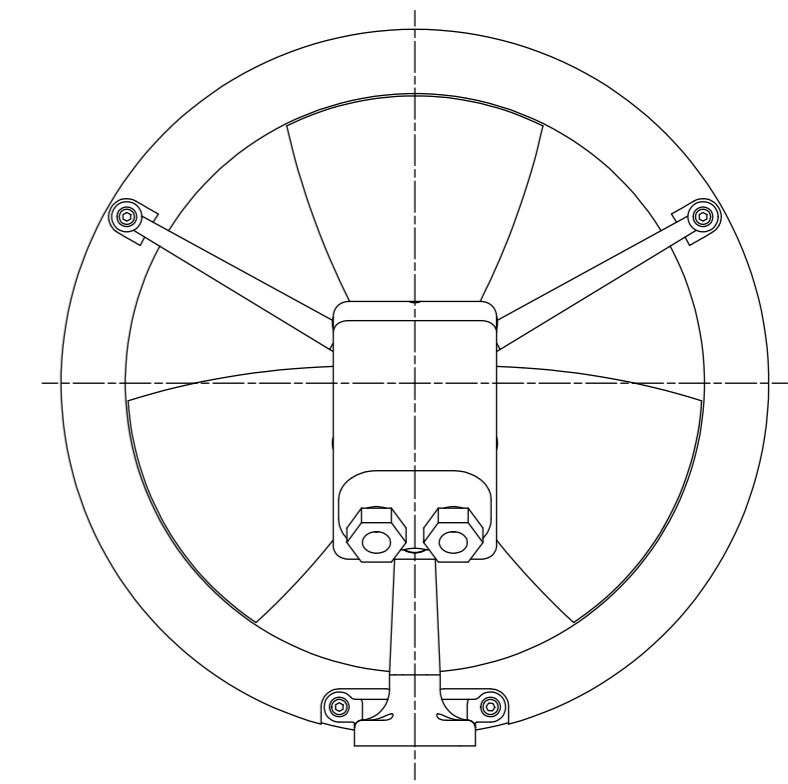
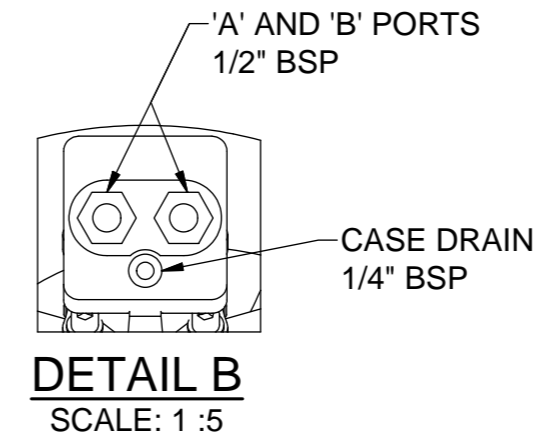
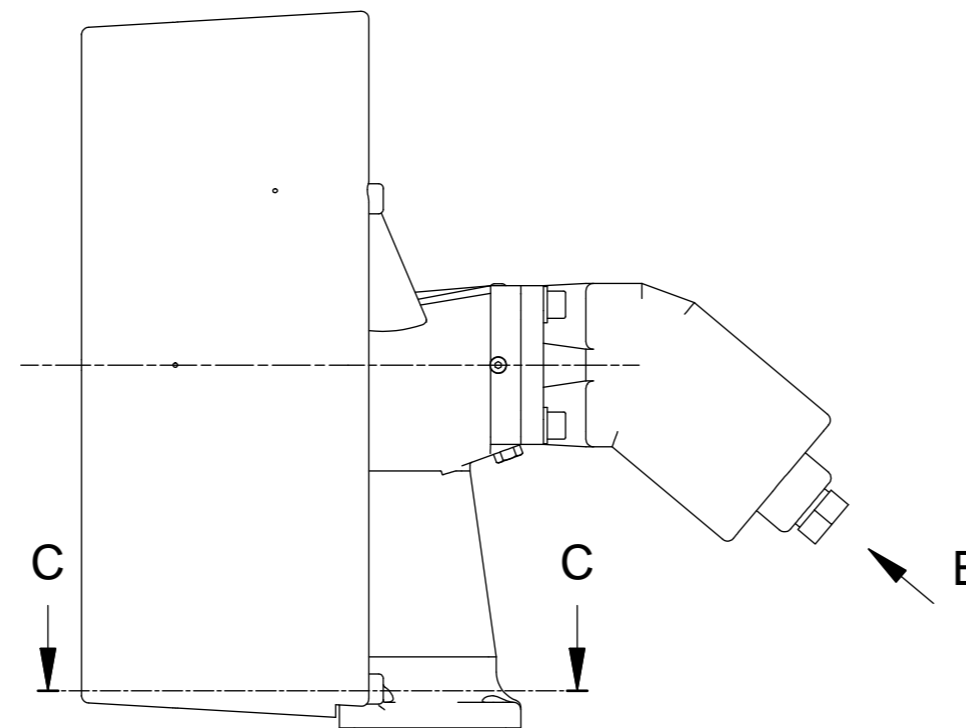
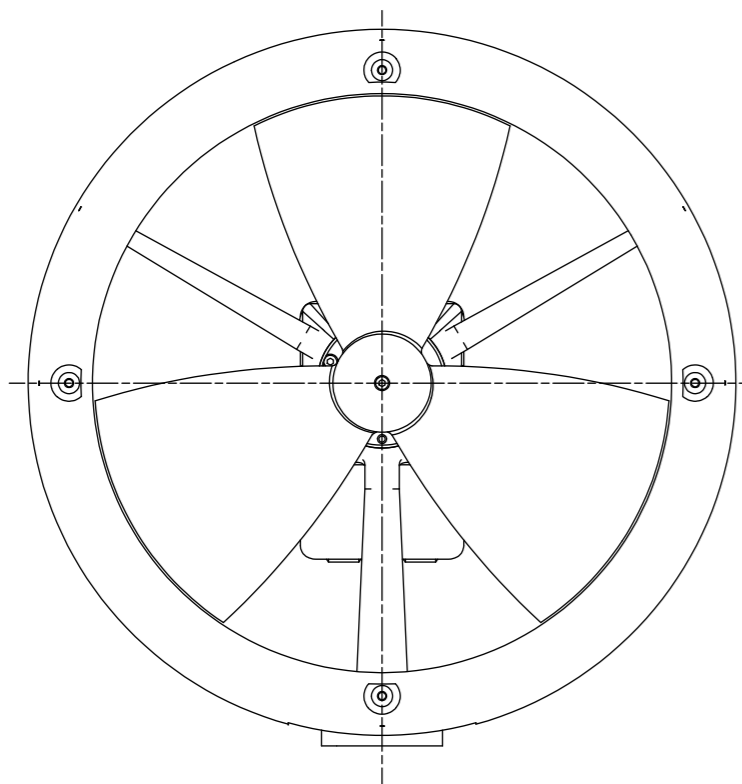
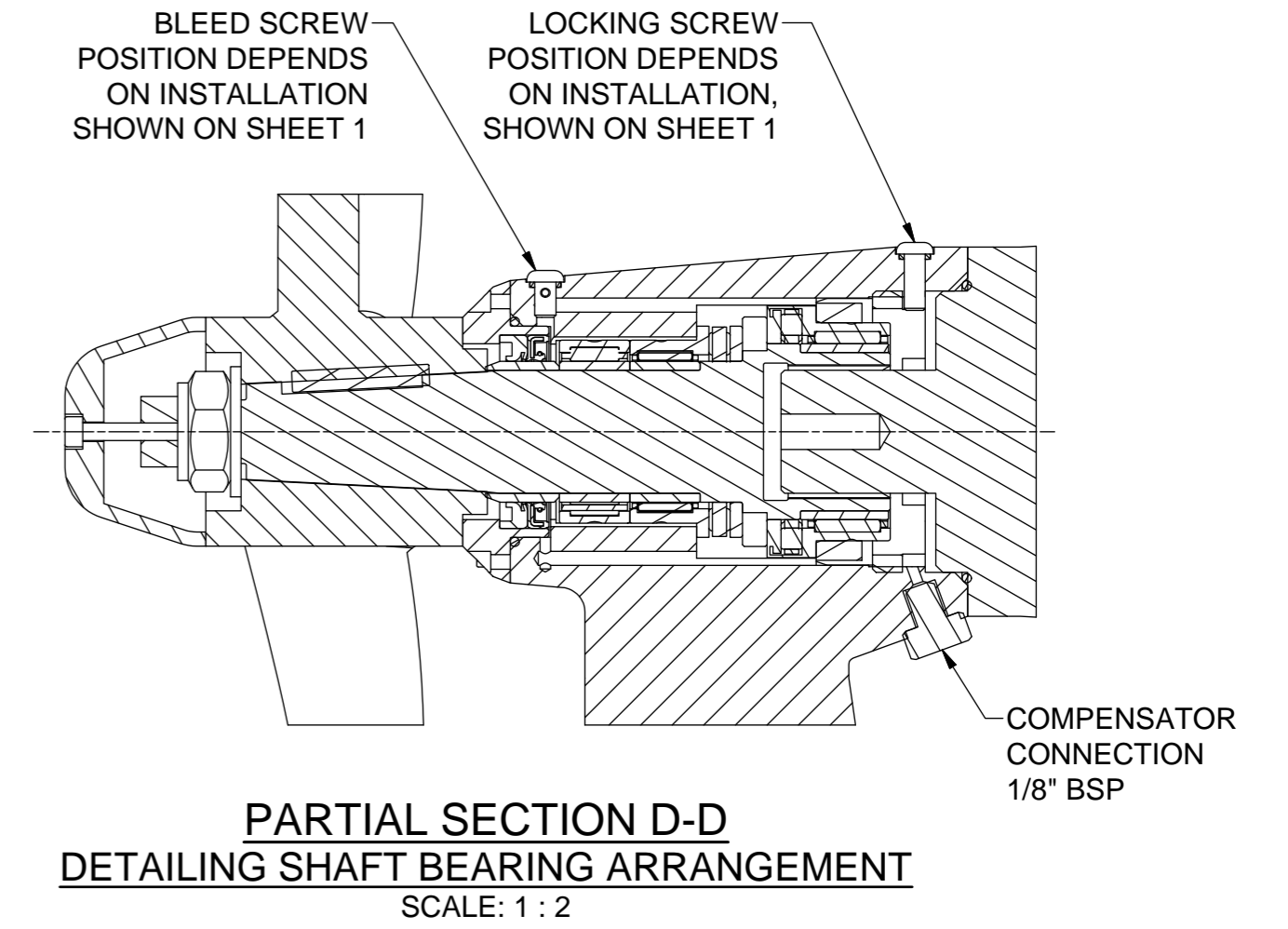
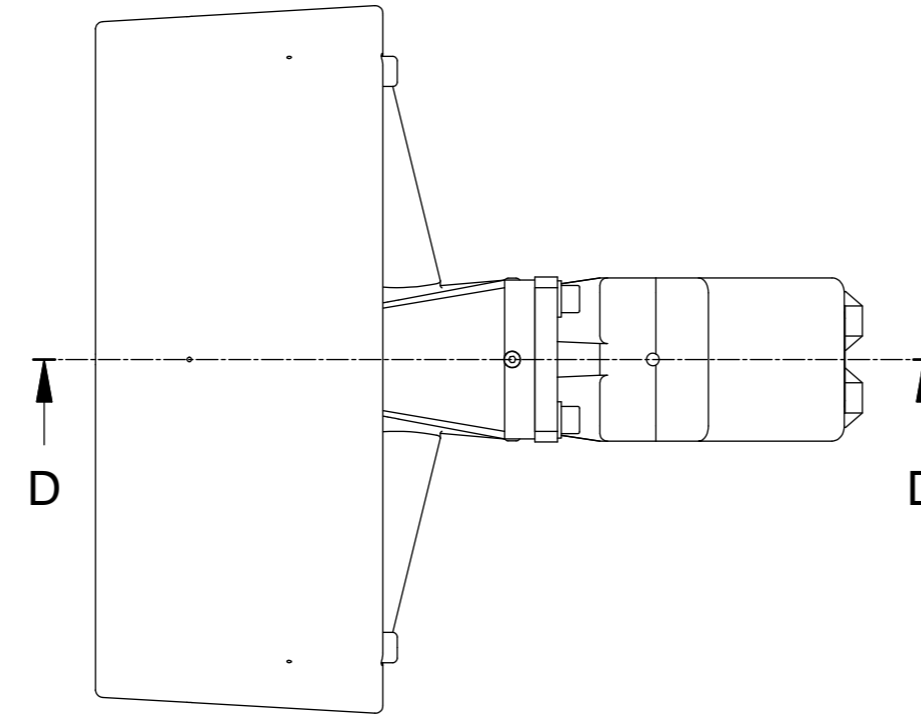
REV	DATE	CHANGE COMMENT	ZONE	DRAWN	CHECKED	APPD	DATE	EST. MASS	DIMENSIONS	SCALE	PROJECTION 3RD	TITLE
3	16/APR/10	INSERT SECURED WITH ARALDITE RAPID	-	PTC	POT	POT	10/MAR/06	27 kg	mm	1:2.5		ASSEMBLY THRUSTER CURVETECH 380MM 32CC BA MOTOR LOW TORQUE PROP
4	20/OCT/13	NOTE 1 & COMMENTS COLUMN IN BOM ADDED	-	-	REN	REN						
4	01/MAR/11	ITEM 2/2/64 REMOVED FROM	-	DH	JPG	JPG						
6	23/MAY/14	REDRAWN TO 3D - PARTS LIST UPDATED. SHT2 ADDED	ALL	TOB	JCUR	JPG						
7	26/SEP/14	4 OFF OV_1110 ADDED	A10	LO	JPG	JPG						
8	05-JUN-15	ITEM MASTER DID NOT MATCH BOM	-	JCUR	JPG	JPG						

DESIGNED	JAR	DRAWN	JAR	CHECKED	JAR	APPROVED	JAR	DATE	10/MAR/06	EST. MASS	27 kg	DIMENSIONS	mm	SCALE	1:2.5	PROJECTION 3RD		TITLE	ASSEMBLY THRUSTER CURVETECH 380MM 32CC BA MOTOR LOW TORQUE PROP
TOLERANCES UNLESS OTHERWISE STATED																			
DIMENSIONS mm																			
UP TO 100 ±1.0																			
100 TO 300 ±1.5																			
300 TO 1000 ±2.0																			
OVER 1000 ±3.0																			
FABRICATION																			
±0.15 ±0.4 ±0.8 ±1.0																			
MACHINED PART																			
MATERIAL:- N/A																			
DO NOT SCALE IF IN DOUBT ASK																			
												DRAWING No	HTE_380BA-32	REV No.	8	SIZE	A1		
SHEET 1 OF 2																			

ALL INTELLECTUAL PROPERTY RIGHTS SUBSISTING IN THESE DESIGNS ARE THE PROPERTY OF SOIL MACHINE DYNAMICS LTD. NO COPY IS TO BE MADE WITHOUT THE WRITTEN PERMISSION OF SOIL MACHINE DYNAMICS LTD. ANY PATENT APPLICATIONS, PATENTS AND / OR DESIGN APPLICATIONS, REGISTERED DESIGNS, DESIGN RIGHTS OR COPYRIGHT ARISING FROM OR CONTAINED IN THE DESIGNS ARE THE PROPERTY OF SOIL MACHINE DYNAMICS LTD. AND ALL INFORMATION MUST BE HELD IN THE STRICTEST CONFIDENCE

NOTES :-

1. ASSEMBLE IN ACCORDANCE WITH SMD SPECIFICATION W100.
2. CASE DRAIN - SHOULD BE 0 - 3 BAR - SIZE FITTINGS ACCORDINGLY.
3. COMPENSATOR - PRESSURE SHOULD BE 0 - 1 BAR.
BEARING HOUSING MUST BE COMPENSATED WITH HYDRAULIC OIL.
BLEED POINT SHOULD BE POSITIONED AT HIGHEST POINT.
4. A & B PORTS - MAX PRESURE 300 BAR



REV	DATE	CHANGE COMMENT	ZONE	DRAWN	CHECKED	APPD	DATE	EST. MASS	DIMENSIONS	SCALE	PROJECTION 3RD	TITLE											
3	16/APR/10	INSERT SECURED WITH ARALDITE RAPID	-	PTC	POT	POT	10/MAR/06	26.7 kg	mm	1:5		ASSEMBLY THRUSTER CURVETECH 380MM 32CC BA MOTOR LOW TORQUE PROP											
4	01/MAR/11	NOTE 1 & COMMENTS COLUMN IN BOM ADDED	-	-	REN	REN																	
5	24/AUG/11	ITEM 2/2/64 REMOVED FROM LIST AS NO LONGER IN SEAL KIT	-	DH	JPG	JPG																	
6	23/MAY/14	REDRAWN TO 3D - PARTS LIST UPDATED. SHT2 ADDED	ALL	TOB	JCUR	JPG																	
7	26/SEPT/14	4 OFF OV_1110 ADDED	SHT 1	LO	JPG	JPG																	
8	05/JUN/15	SEE SHEET 1	SHT 1	JCUR	JPG	JPG																	
<p>ALL INTELLECTUAL PROPERTY RIGHTS SUBSISTING IN THESE DESIGNS ARE THE PROPERTY OF SOIL MACHINE DYNAMICS LTD. NO COPY IS TO BE MADE WITHOUT THE WRITTEN PERMISSION OF SOIL MACHINE DYNAMICS LTD. ANY PATENT APPLICATIONS, PATENTS AND / OR DESIGN APPLICATIONS, REGISTERED DESIGNS, DESIGN RIGHTS OR COPYRIGHT ARISING FROM OR CONTAINED IN THE DESIGNS ARE THE PROPERTY OF SOIL MACHINE DYNAMICS LTD. AND ALL INFORMATION MUST BE HELD IN THE STRICTEST CONFIDENCE.</p>												<p>SMD Soil Machine Dynamics Ltd</p>		<p>MATERIAL:- N/A</p>		<p>DO NOT SCALE IF IN DOUBT ASK</p>		<p>DRAWING No HTE_380BA-32</p>		<p>REV No. 8</p>		<p>SIZE A2</p>	
												<p>SHEET 2 OF 2</p>											