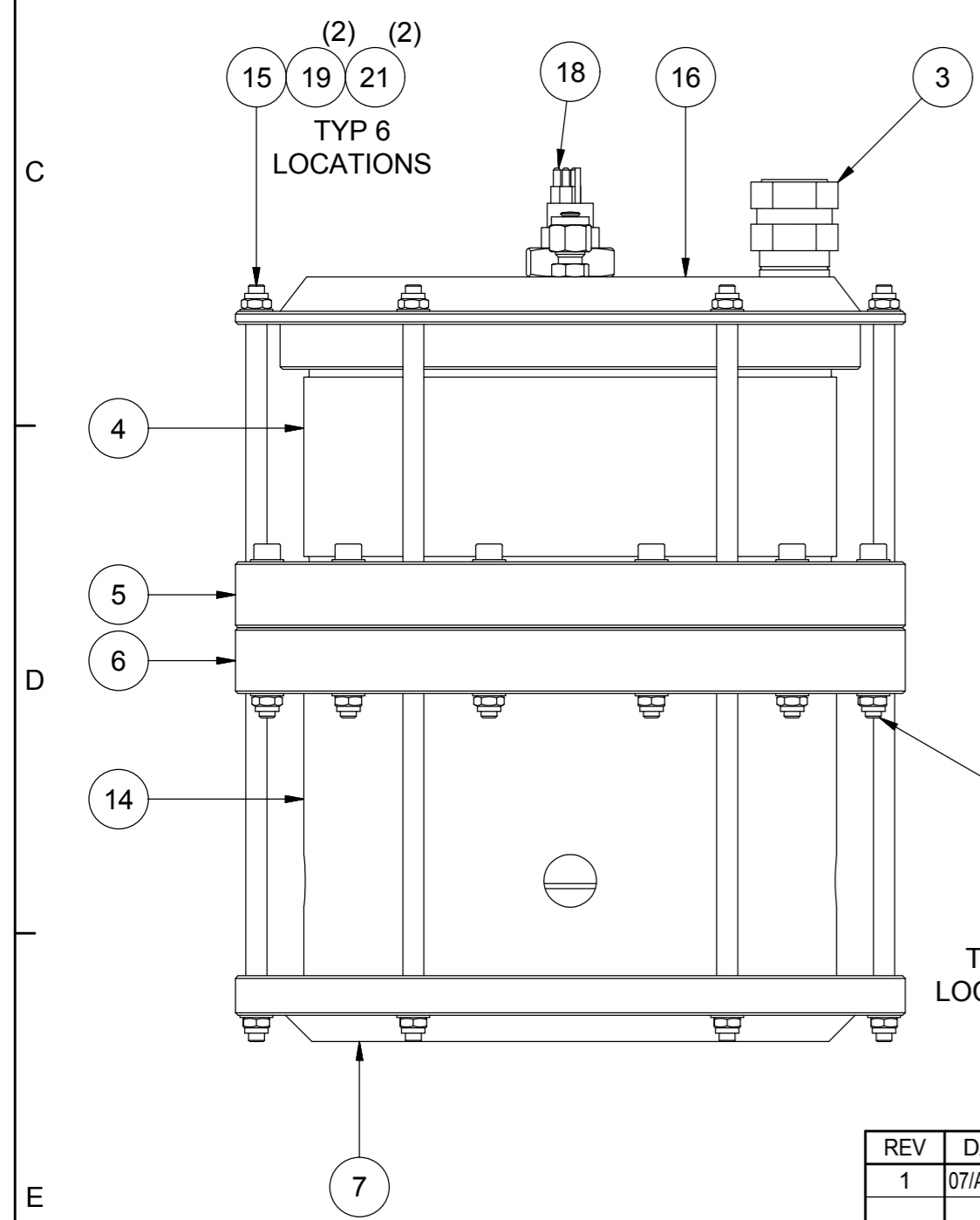
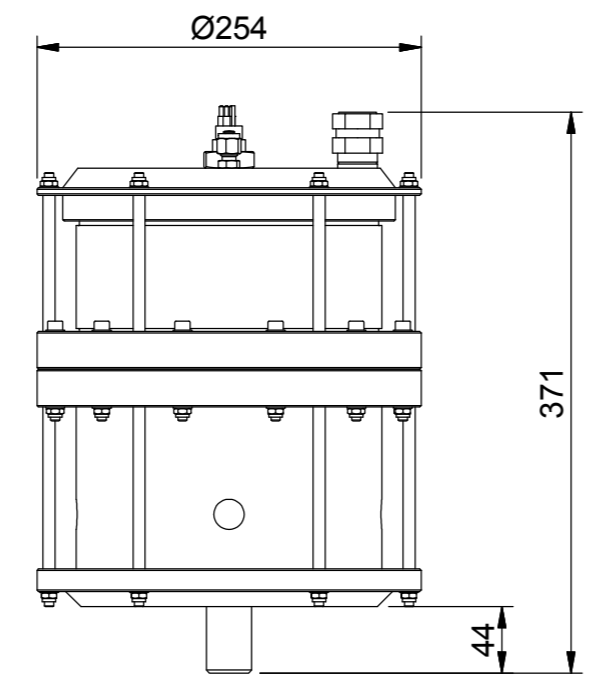


SECTION A-A

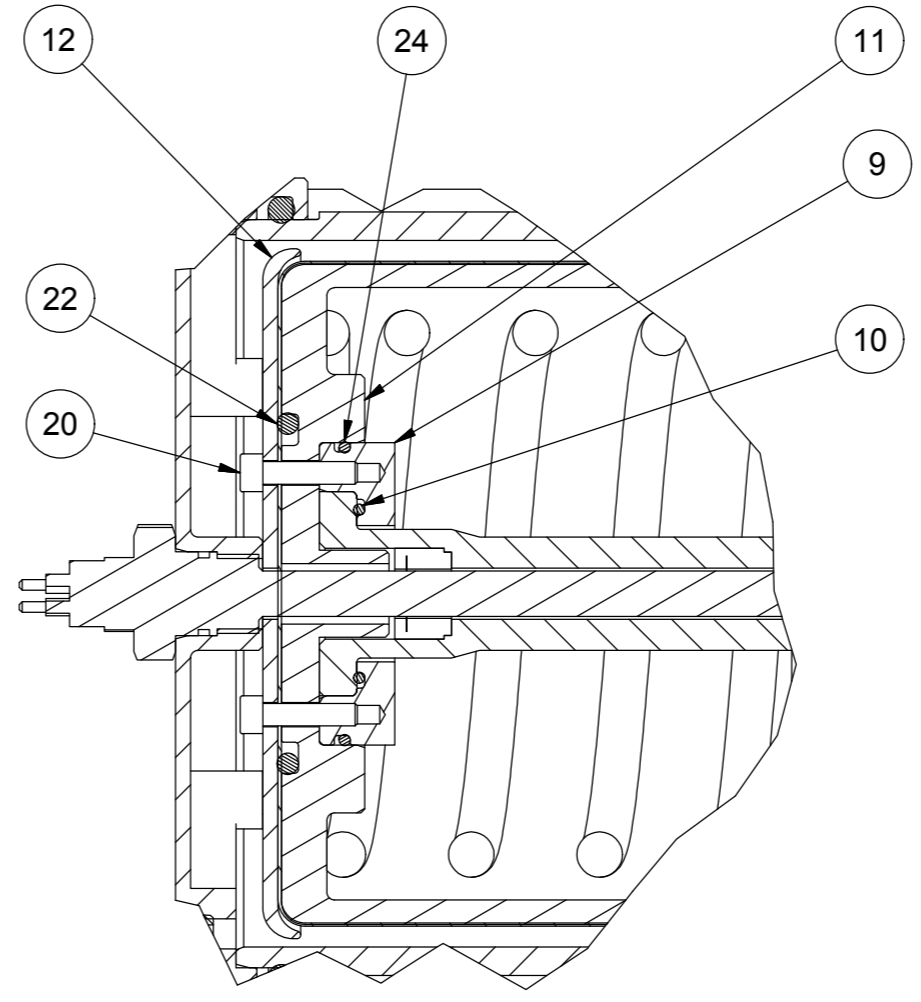
PARTS LIST				
ITEM	PART No	DESCRIPTION	QTY	
1	AA3146	CONNECTOR MALE 1/8"NPT x 1/4" TUBE	1	
2	AA3195	FITTING PLUG 1/4" SS A4 - SWAGelok SS-400-P	1	
3	AA7426	VALVE RELIEF 30psi (3/4"NPT)	1	
4	AC9794	HOUSING UPPER - 6L COMPENSATOR	1	
5	AC9795	FLANGE COUPLING UPPER - 6L COMPENSATOR	1	
6	AC9796	FLANGE COUPLING LOWER - 6L COMPENSATOR	1	
7	AC9798	BASE PLATE - 6L COMPENSATOR	1	
8	AC9799	DIAPHRAGM - 6L COMPENSATOR	1	
9	AD0293	CAP PLATE SENSOR HOUSING	1	
10	AD0541	SEAL O-RING 41.5 x 3.0 NBR70	1	
11	AD0710	PISTON - 6L COMPENSATOR	1	
12	AD0713	RETAINER DIAPHRAGM - 6L COMPENSATOR	1	
13	AD1227	SEAL O-RING / 6.99 x 196.22	2	
14	AH5955	HOUSING LOWER - 3L COMP	1	
15	AH5956	TIE BAR - 3L COMP	6	
16	AH5963	TOP PLATE - 3L / 6L COMPENSATOR - 5 x 3/8"BSP PORTS	1	
17	AH6123	HOUSING TRANSDUCER	1	
18	AH7995	SENSOR LJW 0119 N 0.3S S 3125, C/W SUBCONN MCBH8F	1	
19	PA0078	NUT M6 NYLOC SS A2-70	24	
20	PA0192	BOLT M6 x 25 SHCS SS A2-70	4	
21	PA0546	WASHER M6 FLAT BS4320 FORM B SS A2	36	
22	PB7913	SEAL O-RING 84.3 x 5.7	1	
23	PB9837	BOLT M6 x 60 SHCS SS A2-70	12	
24	PE1755	SEAL O-RING 74.5 X 3.0	1	
25	VE_3092-2	SPRING VENOM RESERVOIR 5 PSI	1	



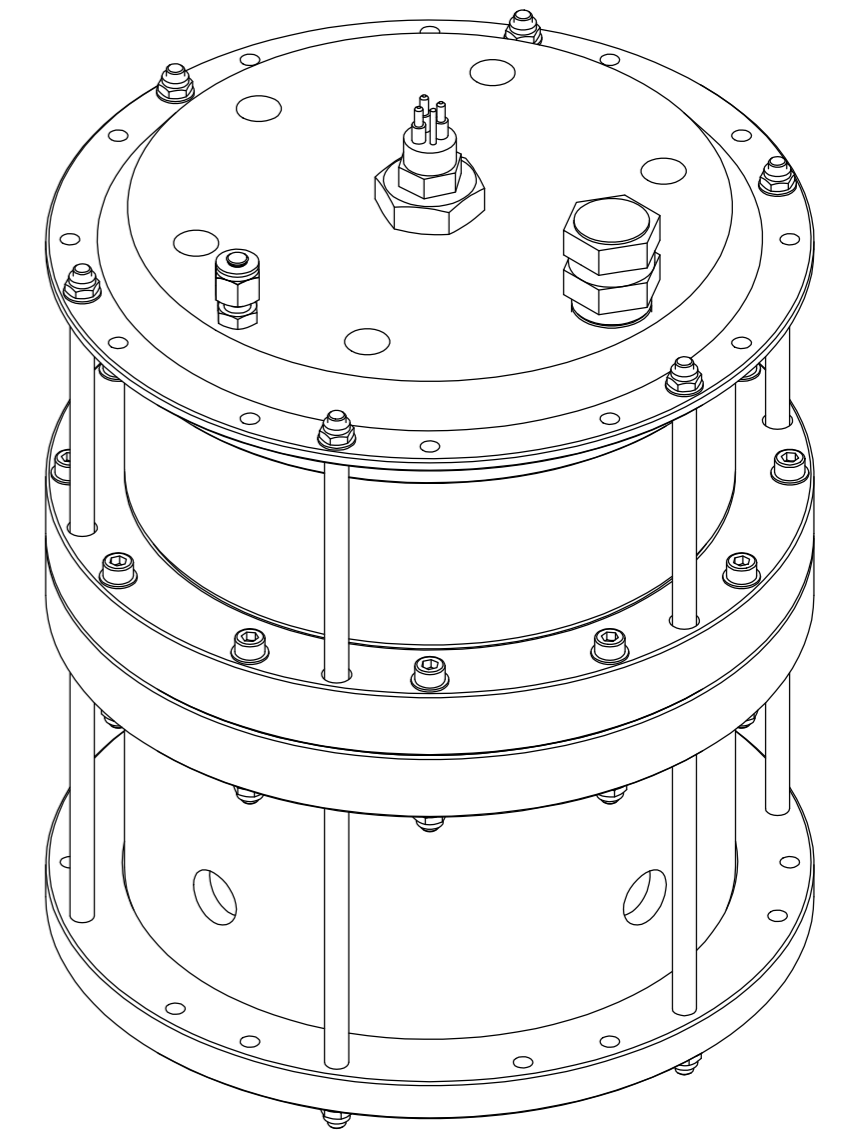
**WARNING ! DANGER OF INJURY.**  
 CARE MUST BE TAKEN WHEN FITTING OR REMOVING SPRING.  
 A HYDRAULIC PRESS WITH RELEVANT SAFETY FEATURES  
 SHOULD BE USED TO COMPRESS OR RELEASE THE SPRING.



COMPENSATOR FULL  
 (MAX. DIMENSIONS)  
 SCALE 1 : 5



DETAIL B  
 SCALE 1 : 2



ISOMETRIC VIEW  
 SCALE 1 : 2.5

NOTES :-  
 1. ASSEMBLE IN ACCORDANCE WITH SMD SPECIFICATION W100.  
 2. APPLY MOLYKOTE GREASE ON 'O-RINGS' & APPLY AQUALUBE GREASE TO ALL THREADS.  
 3. IF IN DOUBT PLEASE ASK.

REV	DATE	CHANGE COMMENT	ZONE	DRAWN	CHECKED	APPD	DATE	EST. MASS	DIMENSIONS	SCALE	PROJECTION 3RD	TITLE
1	07/AUG/14	ITEMS AA3195 & AA3146 ADDED	B2	TOB	JCUR	NRC	12-MAY-14	15.4 kg	mm	1:2.5 UOS		ASSEMBLY COMPENSATOR 3L - 0.20 - 0.34 BAR SUBCONN

ALL INTELLECTUAL PROPERTY RIGHTS SUBSISTING IN THESE DESIGNS ARE THE PROPERTY OF SOIL MACHINE DYNAMICS LTD. NO COPY IS TO BE MADE WITHOUT THE WRITTEN PERMISSION OF SOIL MACHINE DYNAMICS LTD. ANY PATENT APPLICATIONS, PATENTS AND / OR DESIGN APPLICATIONS, REGISTERED DESIGNS, DESIGN RIGHTS OR COPYRIGHT ARISING FROM OR CONTAINED IN THE DESIGNS ARE THE PROPERTY OF SOIL MACHINE DYNAMICS LTD. AND ALL INFORMATION MUST BE HELD IN THE STRICTEST CONFIDENCE.

DESIGNED DAL	DRAWN TCO	TOLERANCES UNLESS OTHERWISE STATED				DO NOT SCALE IF IN DOUBT ASK	DRAWING No <b>EV_4007-4</b>	REV No. <b>1</b>	SIZE <b>A2</b>
CHECKED PIB	APPROVED JPG	FABRICATION	± 1.0	± 1.5	± 2.0				
		MACHINED PART	± 0.15	± 0.4	± 0.8	± 1.0	SHEET 1 OF 1		

