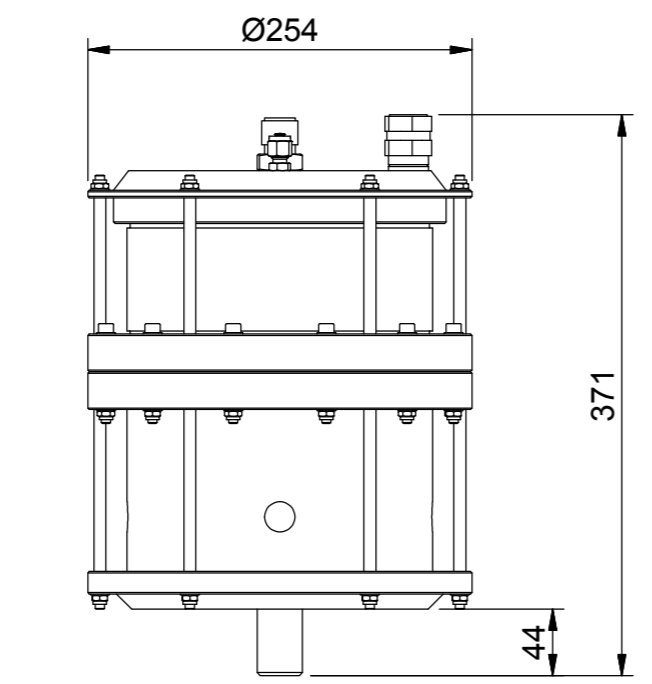
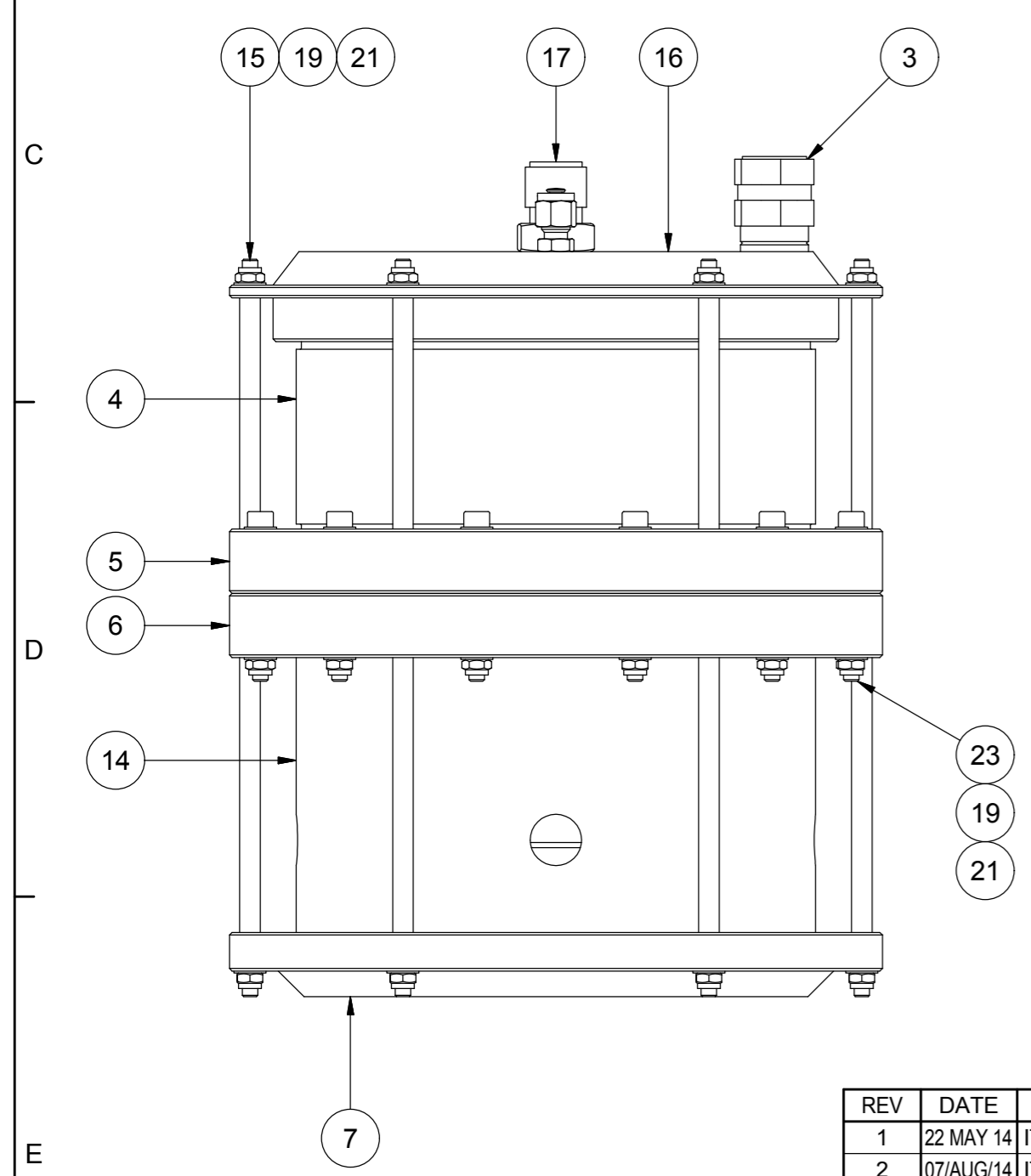
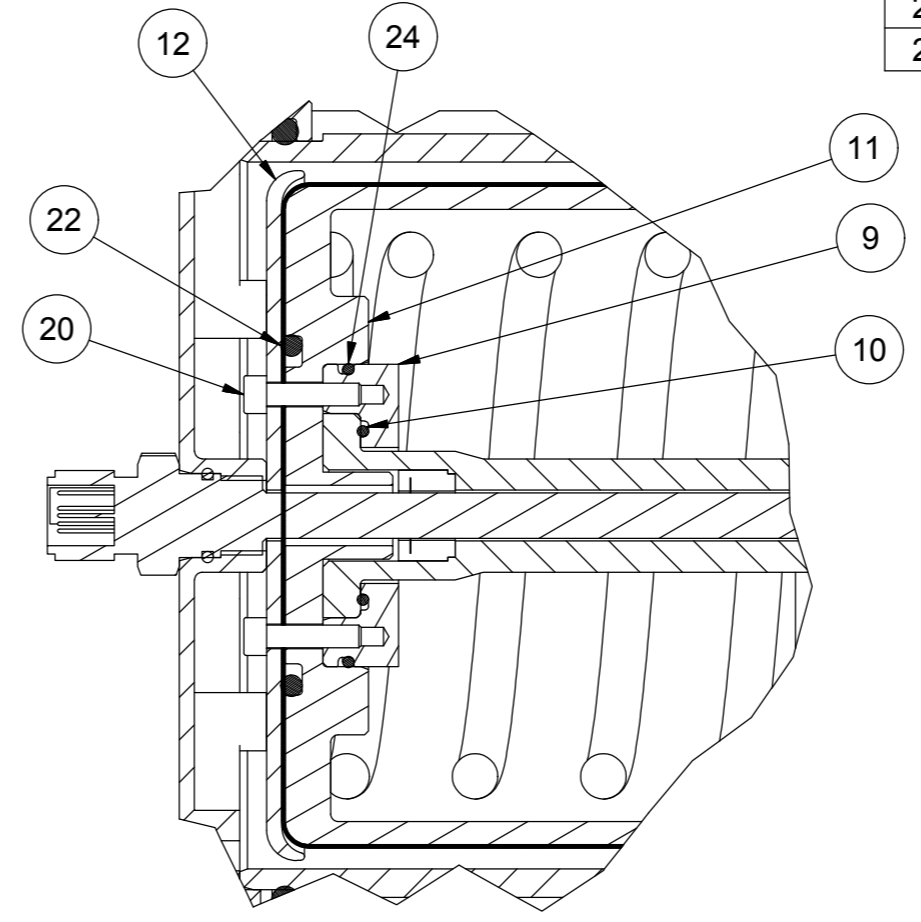


| PARTS LIST |           |   |     |  |
|------------|-----------|---|-----|--|
| ITEM       | PART No   | DESCRIPTION   | QTY |  |
| 1          | AA3146    | CONNECTOR MALE 1/8"NPT x 1/4" TUBE                  | 1   |  |
| 2          | AA3195    | FITTING PLUG 1/4" SS A4 - SWAGELOK SS-400-P         | 1   |  |
| 3          | AA7426    | VALVE RELIEF 30psi (3/4"NPT)                        | 1   |  |
| 4          | AC9794    | HOUSING UPPER - 6L COMPENSATOR                      | 1   |  |
| 5          | AC9795    | FLANGE COUPLING UPPER - 6L COMPENSATOR              | 1   |  |
| 6          | AC9796    | FLANGE COUPLING LOWER - 6L COMPENSATOR              | 1   |  |
| 7          | AC9798    | BASE PLATE - 6L COMPENSATOR                         | 1   |  |
| 8          | AC9799    | DIAPHRAGM - 6L COMPENSATOR                          | 1   |  |
| 9          | AD0293    | CAP PLATE SENSOR HOUSING                            | 1   |  |
| 10         | AD0541    | SEAL O-RING 41.5 x 3.0 NBR70                        | 1   |  |
| 11         | AD0710    | PISTON - 6L COMPENSATOR                             | 1   |  |
| 12         | AD0713    | RETAINER DIAPHRAGM - 6L COMPENSATOR                 | 1   |  |
| 13         | AD1227    | SEAL O-RING / 6.99 x 196.22                         | 2   |  |
| 14         | AH5955    | HOUSING LOWER - 3L COMP                             | 1   |  |
| 15         | AH5956    | TIE BAR - 3L COMP                                   | 6   |  |
| 16         | AH5963    | TOP PLATE - 3L / 6L COMPENSATOR - 5 x 3/8"BSP PORTS | 1   |  |
| 17         | AH6122    | SENSOR LJW 0119 N 0.3S S 2945, C/W BURTON 5507 1508 | 1   |  |
| 18         | AH6123    | HOUSING TRANSDUCER                                  | 1   |  |
| 19         | PA0078    | NUT M6 NYLOC SS A2-70                               | 24  |  |
| 20         | PA0192    | BOLT M6 x 25 SHCS SS A2-70                          | 4   |  |
| 21         | PA0546    | WASHER M6 FLAT BS4320 FORM B SS A2                  | 36  |  |
| 22         | PB7913    | SEAL O-RING 84.3 x 5.7                              | 1   |  |
| 23         | PB9837    | BOLT M6 x 60 SHCS SS A2-70                          | 12  |  |
| 24         | PE1755    | SEAL O-RING 74.5 X 3.0                              | 1   |  |
| 25         | VE_3092-2 | SPRING VENOM RESERVOIR 5 PSI                        | 1   |  |

**WARNING ! DANGER OF INJURY.** SECTION A-A  
 CARE MUST BE TAKEN WHEN FITTING OR REMOVING SPRING.  
 A HYDRAULIC PRESS WITH RELEVANT SAFETY FEATURES  
 SHOULD BE USED TO COMPRESS OR RELEASE THE SPRING.

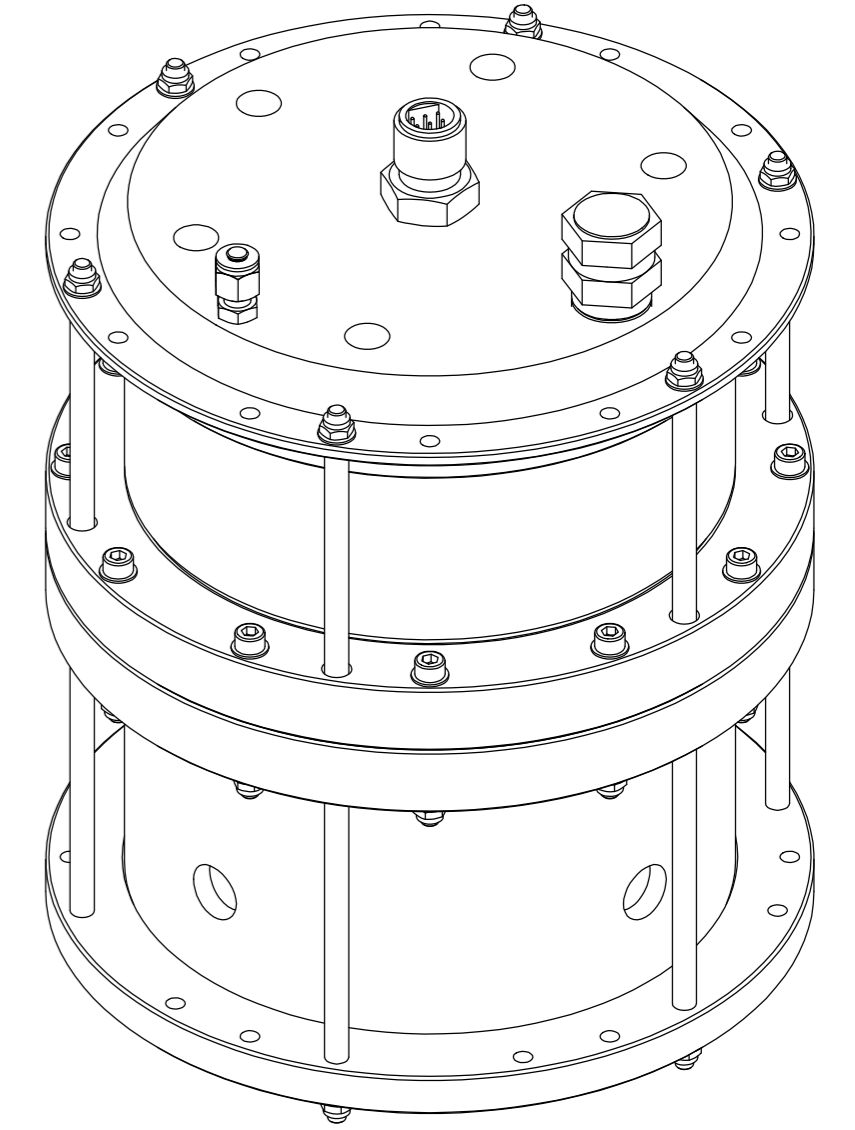


**COMPENSATOR FULL**  
 (MAX. DIMENSIONS)  
 SCALE 1 : 5



**DETAIL B**  
 SCALE 1 : 2

- NOTES :-  
 1. ASSEMBLE IN ACCORDANCE WITH SMD SPECIFICATION W100.  
 2. APPLY MOLYKOTE GREASE ON 'O-RINGS' & APPLY AQUALUBE GREASE TO ALL THREADS.  
 3. IF IN DOUBT PLEASE ASK.



RELEASED FOR MANUFACTURE

| REV   | DATE      | CHANGE COMMENT                     | ZONE      | DRAWN      | CHECKED     | APPD           | DATE                         | EST. MASS  | DIMENSIONS | SCALE     | PROJECTION 3RD | TITLE  |       |                                    |  |  |  |                |                              |            |         |      |     |     |               |           |            |             |           |           |   |    |         |          |             |       |       |       |       |              |  |  |     |     |               |        |       |       |       |  |  |  |
|---|-----------|------------------------------------|-----------|------------|-------------|----------------|------------------------------|------------|------------|-----------|----------------|--|-------|------------------------------------|--|--|--|----------------|------------------------------|------------|---------|------|-----|-----|---------------|-----------|------------|-------------|-----------|-----------|---|----|---------|----------|-------------|-------|-------|-------|-------|--------------|--|--|-----|-----|---------------|--------|-------|-------|-------|--|--|--|
| 1   | 22 MAY 14 | ITEM PF7562 REPLACED BY PA0192     | C3        | LO         | DAL         | DAL            | 15/01/2014                   | 15.4 kg    | mm         | 1:2.5 UOS |                | ASSEMBLY COMPENSATOR 3L - 0.20 - 0.34 BAR BURTON |       |                                    |  |  |  |                |                              |            |         |      |     |     |               |           |            |             |           |           |   |    |         |          |             |       |       |       |       |              |  |  |     |     |               |        |       |       |       |  |  |  |
| 2   | 07/AUG/14 | ITEMS AA3195 & AA3146 ADDED        | B2        | TOB        | JCUR        | NRC            |                              |            |            |           |                |  |       |                                    |  |  |  |                |                              |            |         |      |     |     |               |           |            |             |           |           |   |    |         |          |             |       |       |       |       |              |  |  |     |     |               |        |       |       |       |  |  |  |
| <table border="1"> <tr> <td>DESIGNED</td> <td>DRAWN</td> <td colspan="4">TOLERANCES UNLESS OTHERWISE STATED</td> <td rowspan="2">MATERIAL:- N/A</td> <td rowspan="2">DO NOT SCALE IF IN DOUBT ASK</td> <td rowspan="2">DRAWING No</td> <td rowspan="2">REV No.</td> <td rowspan="2">SIZE</td> </tr> <tr> <td>DAL</td> <td>TCO</td> <td>DIMENSIONS mm</td> <td>UP TO 100</td> <td>100 TO 300</td> <td>300 TO 1000</td> <td>OVER 1000</td> <td rowspan="2">EV_4007-2</td> <td rowspan="2">2</td> <td rowspan="2">A2</td> </tr> <tr> <td>CHECKED</td> <td>APPROVED</td> <td>FABRICATION</td> <td>± 1.0</td> <td>± 1.5</td> <td>± 2.0</td> <td>± 3.0</td> <td rowspan="2">SHEET 1 OF 1</td> <td colspan="2"></td> </tr> <tr> <td>JPG</td> <td>JPG</td> <td>MACHINED PART</td> <td>± 0.15</td> <td>± 0.4</td> <td>± 0.8</td> <td>± 1.0</td> <td colspan="2"></td> <td></td> </tr> </table> |           |                                    |           |            |             |                |                              |            |            |           |                | DESIGNED   | DRAWN | TOLERANCES UNLESS OTHERWISE STATED |  |  |  | MATERIAL:- N/A | DO NOT SCALE IF IN DOUBT ASK | DRAWING No | REV No. | SIZE | DAL | TCO | DIMENSIONS mm | UP TO 100 | 100 TO 300 | 300 TO 1000 | OVER 1000 | EV_4007-2 | 2 | A2 | CHECKED | APPROVED | FABRICATION | ± 1.0 | ± 1.5 | ± 2.0 | ± 3.0 | SHEET 1 OF 1 |  |  | JPG | JPG | MACHINED PART | ± 0.15 | ± 0.4 | ± 0.8 | ± 1.0 |  |  |  |
| DESIGNED  | DRAWN     | TOLERANCES UNLESS OTHERWISE STATED |           |            |             | MATERIAL:- N/A | DO NOT SCALE IF IN DOUBT ASK | DRAWING No | REV No.    | SIZE      |                |  |       |                                    |  |  |  |                |                              |            |         |      |     |     |               |           |            |             |           |           |   |    |         |          |             |       |       |       |       |              |  |  |     |     |               |        |       |       |       |  |  |  |
| DAL   | TCO       | DIMENSIONS mm                      | UP TO 100 | 100 TO 300 | 300 TO 1000 |                |                              |            |            |           | OVER 1000      | EV_4007-2  | 2     | A2                                 |  |  |  |                |                              |            |         |      |     |     |               |           |            |             |           |           |   |    |         |          |             |       |       |       |       |              |  |  |     |     |               |        |       |       |       |  |  |  |
| CHECKED   | APPROVED  | FABRICATION                        | ± 1.0     | ± 1.5      | ± 2.0       | ± 3.0          | SHEET 1 OF 1                 |            |            |           |                |  |       |                                    |  |  |  |                |                              |            |         |      |     |     |               |           |            |             |           |           |   |    |         |          |             |       |       |       |       |              |  |  |     |     |               |        |       |       |       |  |  |  |
| JPG   | JPG       | MACHINED PART                      | ± 0.15    | ± 0.4      | ± 0.8       | ± 1.0          |                              |            |            |           |                |  |       |                                    |  |  |  |                |                              |            |         |      |     |     |               |           |            |             |           |           |   |    |         |          |             |       |       |       |       |              |  |  |     |     |               |        |       |       |       |  |  |  |
| <p>ALL INTELLECTUAL PROPERTY RIGHTS SUBSISTING IN THESE DESIGNS ARE THE PROPERTY OF SOIL MACHINE DYNAMICS LTD. NO COPY IS TO BE MADE WITHOUT THE WRITTEN PERMISSION OF SOIL MACHINE DYNAMICS LTD. ANY PATENT APPLICATIONS, PATENTS AND / OR DESIGN APPLICATIONS, REGISTERED DESIGNS, DESIGN RIGHTS OR COPYRIGHT ARISING FROM OR CONTAINED IN THE DESIGNS ARE THE PROPERTY OF SOIL MACHINE DYNAMICS LTD. AND ALL INFORMATION MUST BE HELD IN THE STRICTEST CONFIDENCE.</p> <p><b>SMD Soil Machine Dynamics Ltd</b></p>   |           |                                    |           |            |             |                |                              |            |            |           |                |  |       |                                    |  |  |  |                |                              |            |         |      |     |     |               |           |            |             |           |           |   |    |         |          |             |       |       |       |       |              |  |  |     |     |               |        |       |       |       |  |  |  |