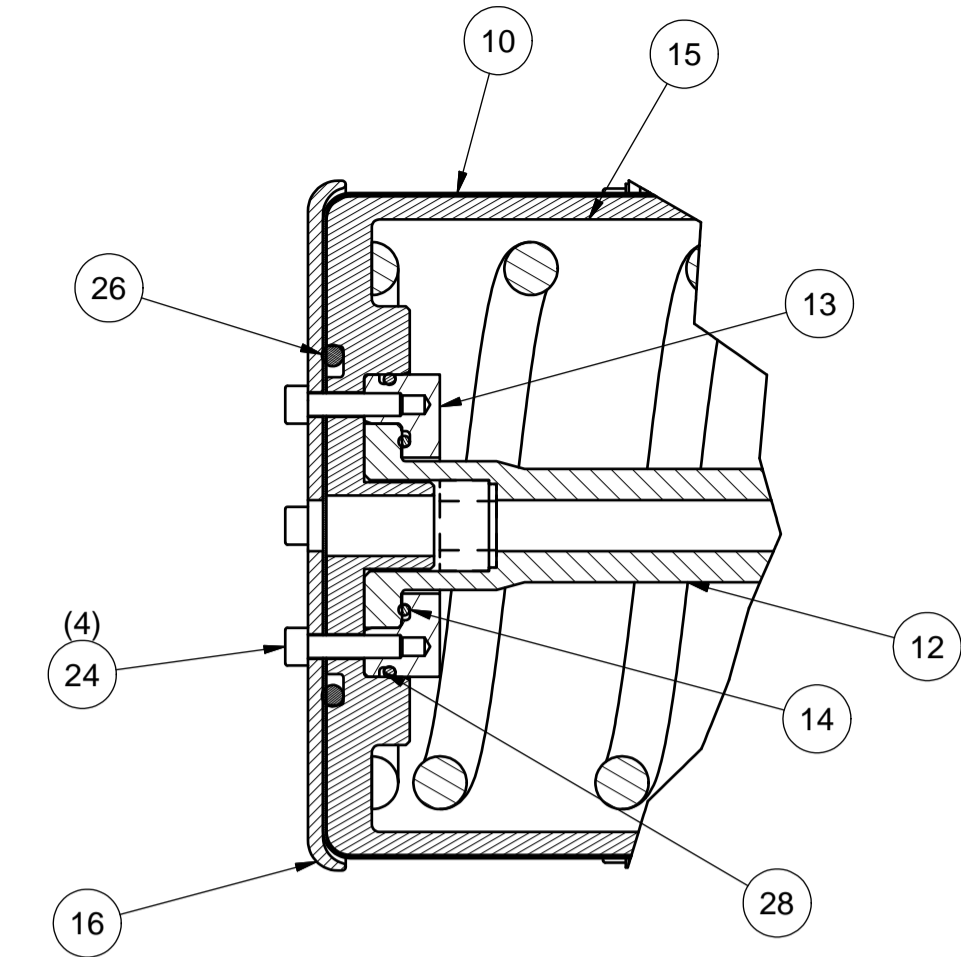
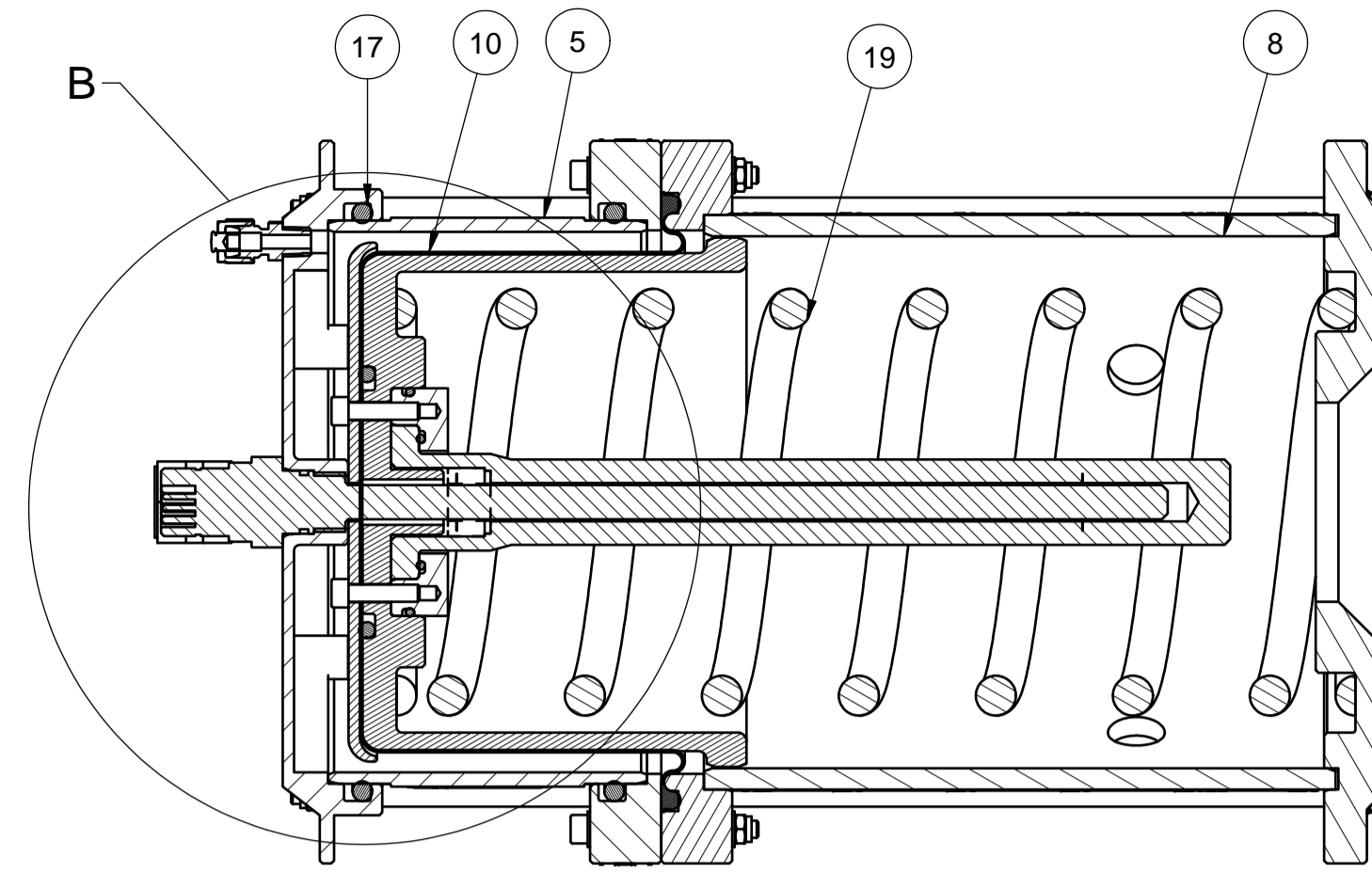


PARTS LIST			
ITEM	PART No	DESCRIPTION	QTY
1	AA3146	CONNECTOR MALE 1/8"NPT x 1/4" TUBE	1
2	AA3195	FITTING PLUG 1/4" SS A4 - SWAGelok SS-400-P	1
3	AA7426	VALVE RELIEF 30psi (3/4"NPT)	1
4	AC9793	TOP PLATE - 6L COMPENSATOR	1
5	AC9794	HOUSING UPPER - 6L COMPENSATOR	1
6	AC9795	FLANGE COUPLING UPPER - 6L COMPENSATOR	1
7	AC9796	FLANGE COUPLING LOWER - 6L COMPENSATOR	1
8	AC9797	HOUSING LOWER - 6L COMP	1
9	AC9798	BASE PLATE - 6L COMPENSATOR	1
10	AC9799	DIAPHRAGM - 6L COMPENSATOR	1
11	AC9800	TIE BAR - 6L COMP	6
12	AD0213	HOUSING TRANSDUCER	1
13	AD0293	CAP PLATE SENSOR HOUSING	1
14	AD0541	SEAL O-RING 41.5 x 3.0 NBR70	1
15	AD0710	PISTON - 6L COMPENSATOR	1
16	AD0713	RETAINER DIAPHRAGM - 6L COMPENSATOR	1
17	AD1227	SEAL O-RING / 6.99 x 196.22	2
18	AD5734	SENSOR LJW 0220 N 0.3H S 1994	1
19	AD8677	SPRING 6L RESERVOIR (HIGH PRESSURE)	1
20	AJ7205	LABEL CURVETECH LOGO (BLACK ON TRANSPARENT)	2
21	AJ7481	LABEL WARNING SPRING UNDER COMPRESSION	1
22	AJ8833	LABEL 6L COMPENSATOR LEVEL	2
23	PA0078	NUT M6 NYLOC SS A2-70	24
24	PA0192	BOLT M6 x 25 SHCS SS A2-70	4
25	PA0546	WASHER M6 FLAT BS4320 FORM B SS A2	36
26	PB7913	SEAL O-RING 84.3 x 5.7	1
27	PB9837	BOLT M6 x 60 SHCS SS A2-70	12
28	PE1755	SEAL O-RING 74.5 X 3.0	1



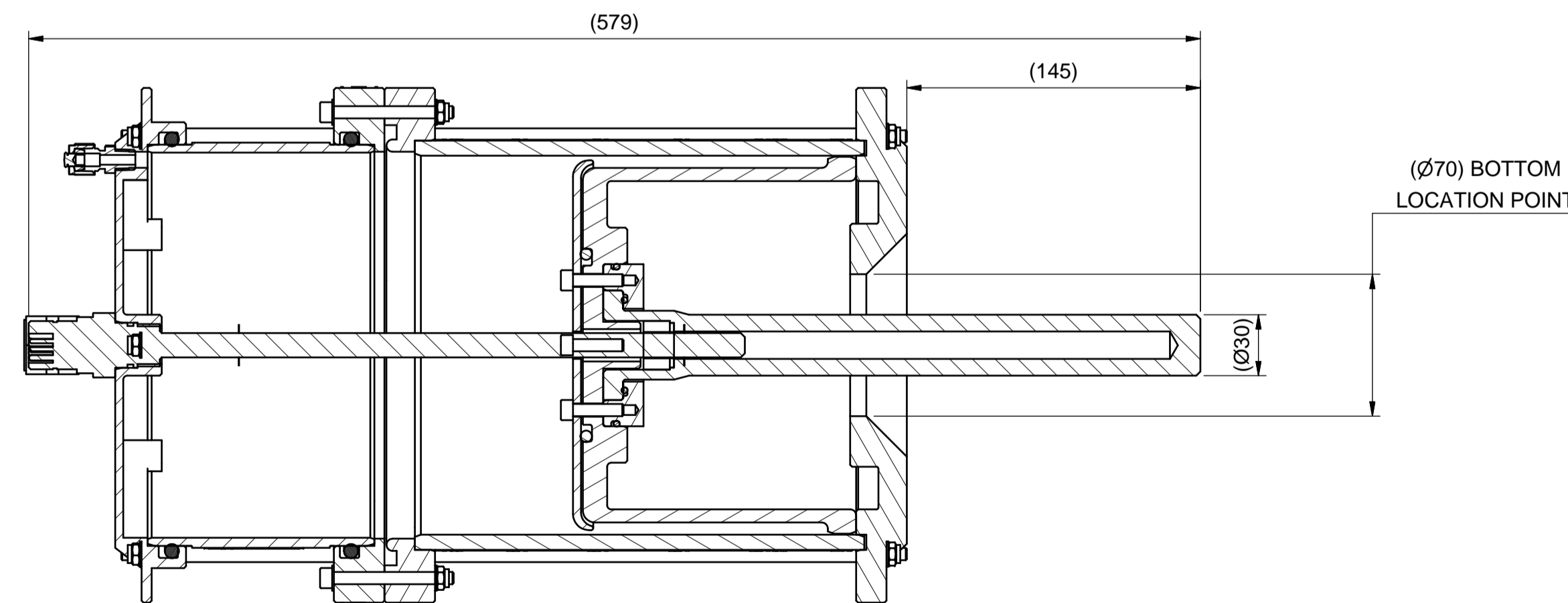
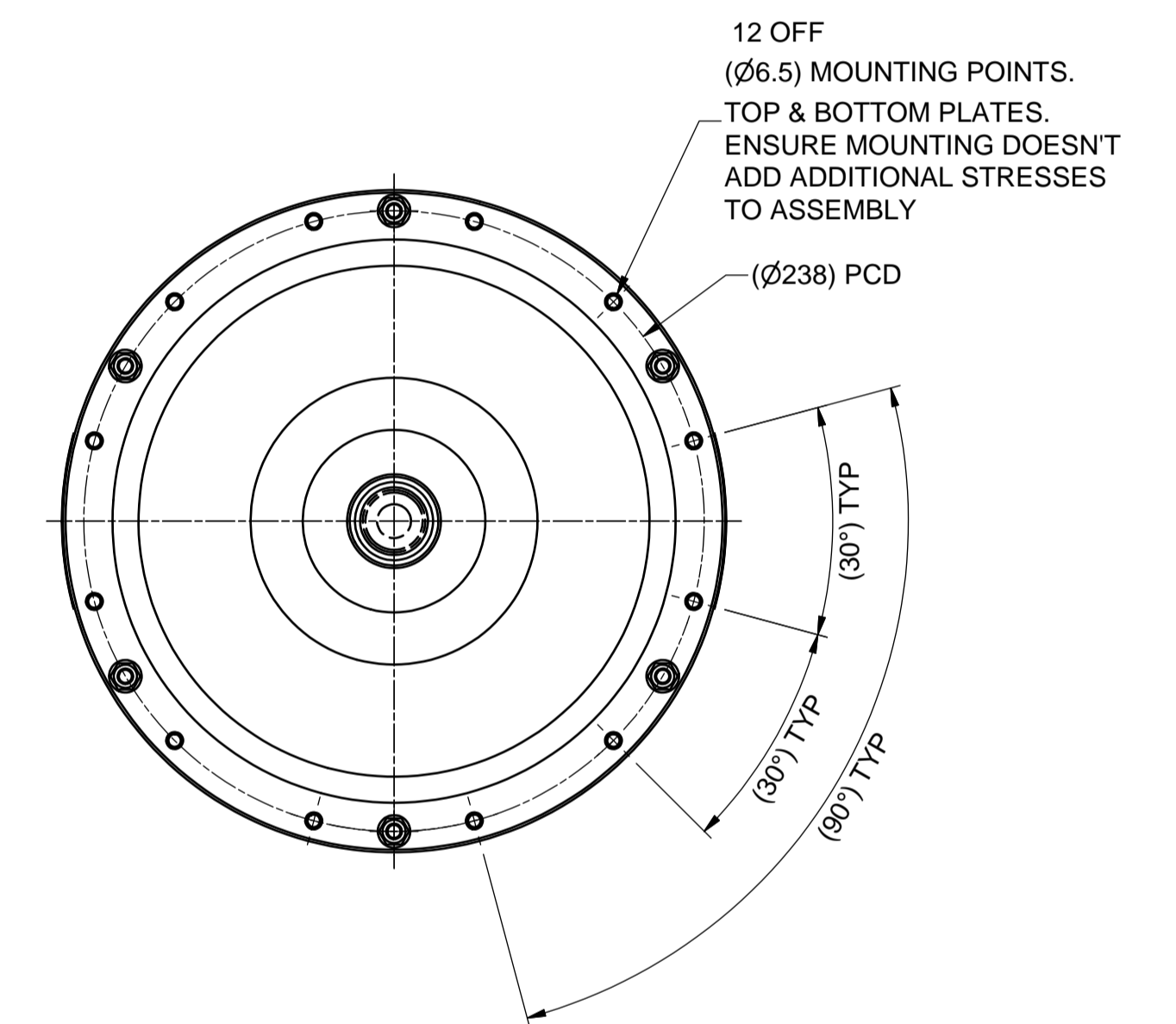
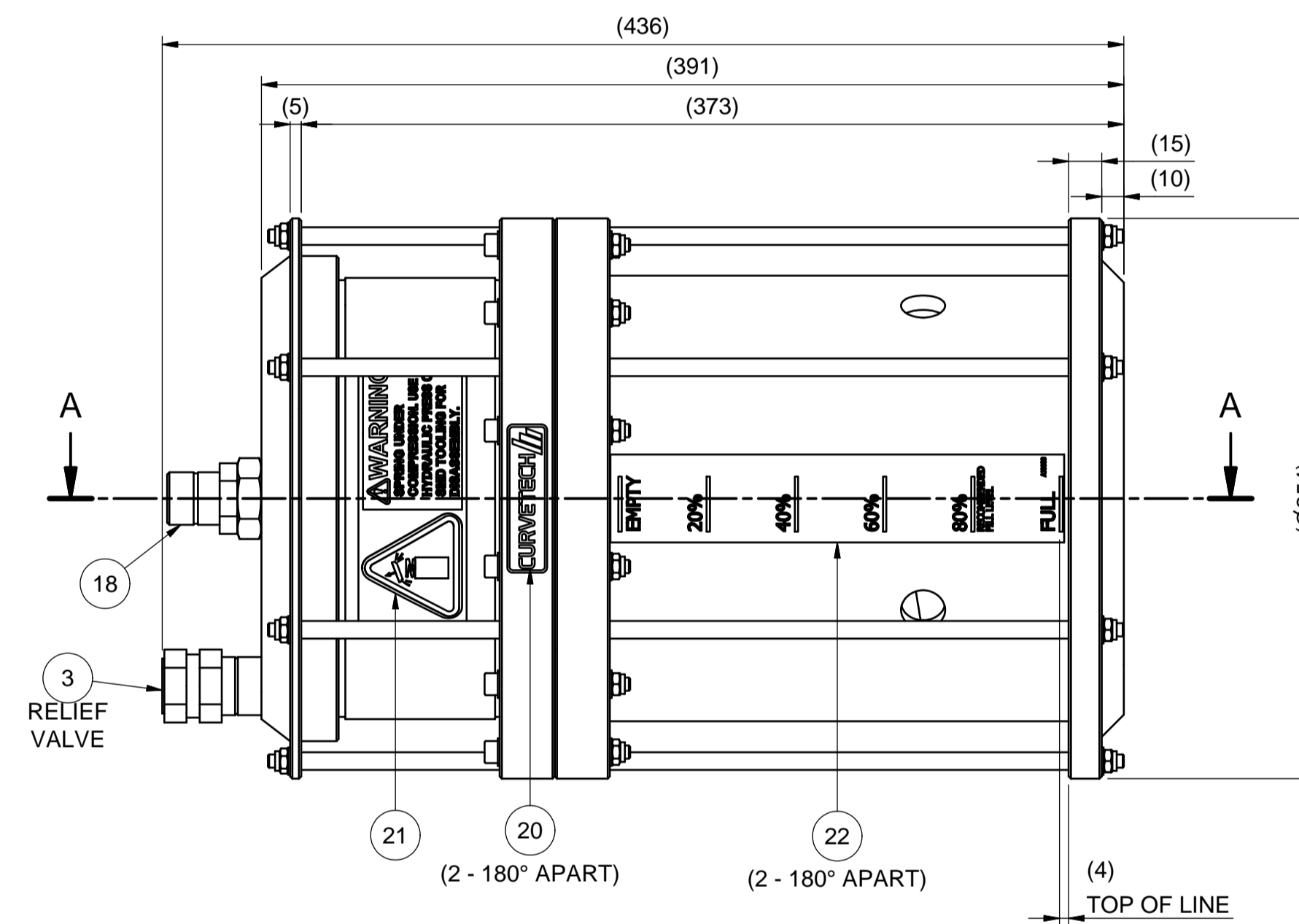
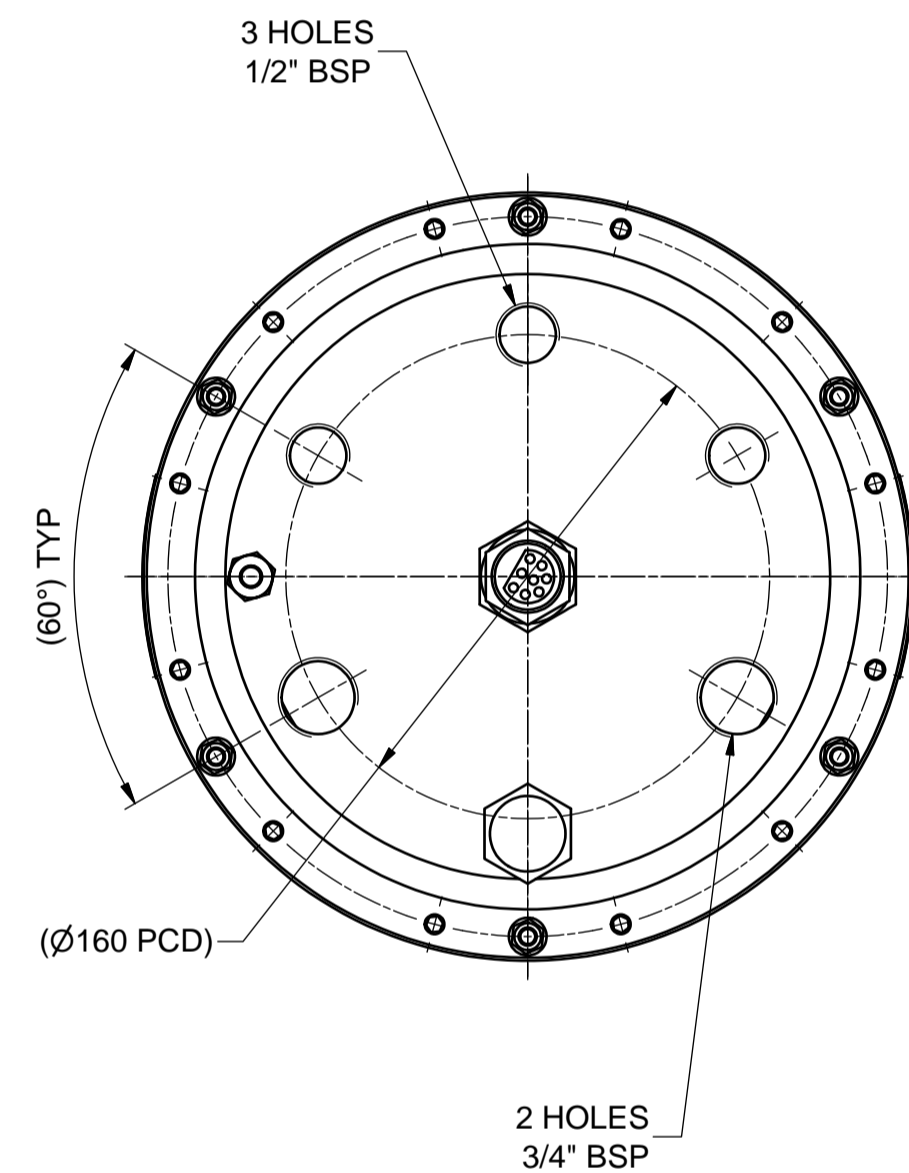
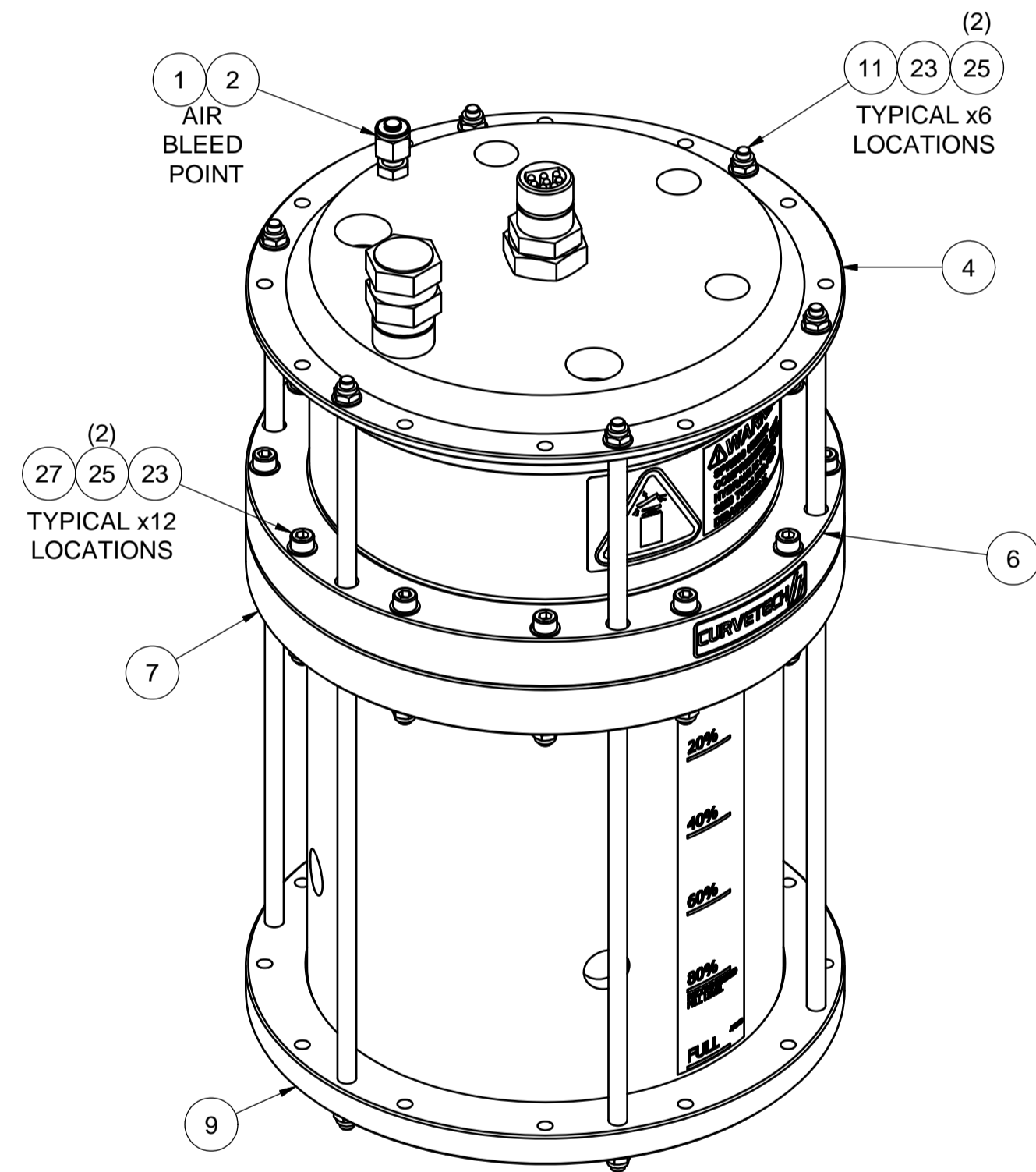
SECTION A-A

**WARNING ! DANGER OF INJURY.**

CARE MUST BE TAKEN WHEN FITTING OR REMOVING SPRING.  
A HYDRAULIC PRESS WITH RELEVANT SAFETY FEATURES OR SMD COMPRESSION TOOL (AJ7395) SHOULD BE USED TO COMPRESS OR RELEASE THE SPRING.

DETAIL B

(1:2)



COMPENSATOR FULL  
SCALE (1:2.5)

- NOTES :-
- ASSEMBLE IN ACCORDANCE WITH SMD SPECIFICATION W100.
  - APPLY MOLYKOTE GREASE ON 'O-RINGS' & APPLY AQUALUBE GREASE TO ALL THREADS.
  - BLANK ALL PORTS AFTER BUILD
  - IF IN DOUBT PLEASE ASK.

SPECIFICATION (ESTIMATE)		
WEIGHT	IN AIR	17.1 kg
	IN WATER	11.4 kg
	IN AIR WITH OIL	22.3 kg
	IN SEA WATER WITH OIL	10.4 kg
VOLUME	FULL	6 Litre
	EMPTY	0 Litre
PRESSURE	FULL	1.6 bar
	EMPTY	0.2 bar

TRANSDUCER - SEACON 5507-1508-004	
PIN	FUNCTION
1,2,3	NOT USED
4	INPUT (16.5 - 28V)
5	COMMON
6	NOT USED
7	SIGNAL (0.5 - 10V)
8	NOT USED

REV	DATE	CHANGE COMMENT	ZONE	DRAWN	CHECKED	APPD	DATE	EST. MASS	DIMENSIONS	SCALE	PROJECTION 3RD	TITLE
	20/10/16						20/10/16	17 kg	mm	1:2	3RD	ASSEMBLY COMPENSATOR 6L - BSP - 4-24 PSI - SEACON8 - 0-10V
DESIGNED	LO											MATERIAL:- N/A
CHECKED	APPROVED	FABRICATION										DO NOT SCALE
MVZ	MVZ	MACHINED PART										IF IN DOUBT ASK
												DRAWING No <b>EV_4006-21</b>
												REV No. <b>0</b>
												SIZE <b>A1</b>
												SHEET 1 OF 1

ALL INTELLECTUAL PROPERTY RIGHTS SUBSISTING IN THESE DESIGNS ARE THE PROPERTY OF SOIL MACHINE DYNAMICS LTD. NO COPY IS TO BE MADE WITHOUT THE WRITTEN PERMISSION OF SOIL MACHINE DYNAMICS LTD. ANY PATENT APPLICATIONS, PATENTS AND/OR DESIGN APPLICATIONS, REGISTERED DESIGNS, DESIGN RIGHTS OR COPYRIGHT ARISING FROM OR CONTAINED IN THE DESIGNS ARE THE PROPERTY OF SOIL MACHINE DYNAMICS LTD. AND ALL INFORMATION MUST BE HELD IN THE STRICTEST CONFIDENCE

**SMD** Soil Machine Dynamics Ltd