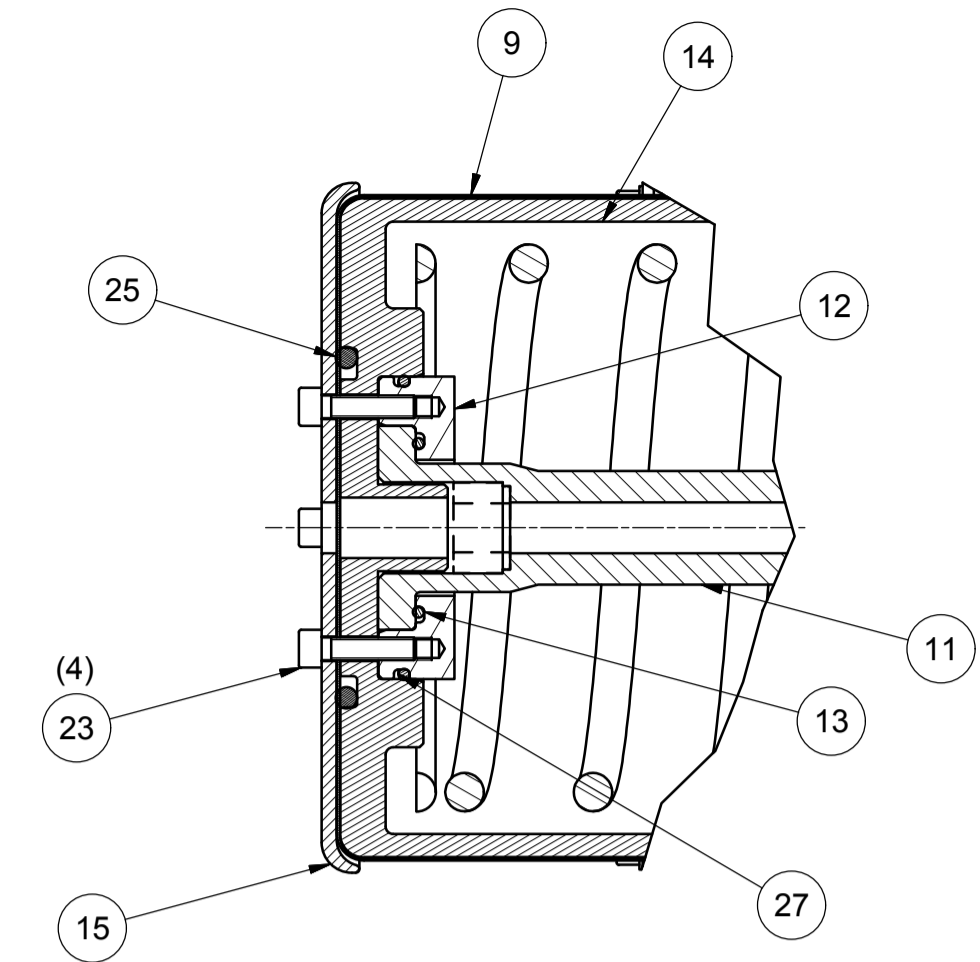
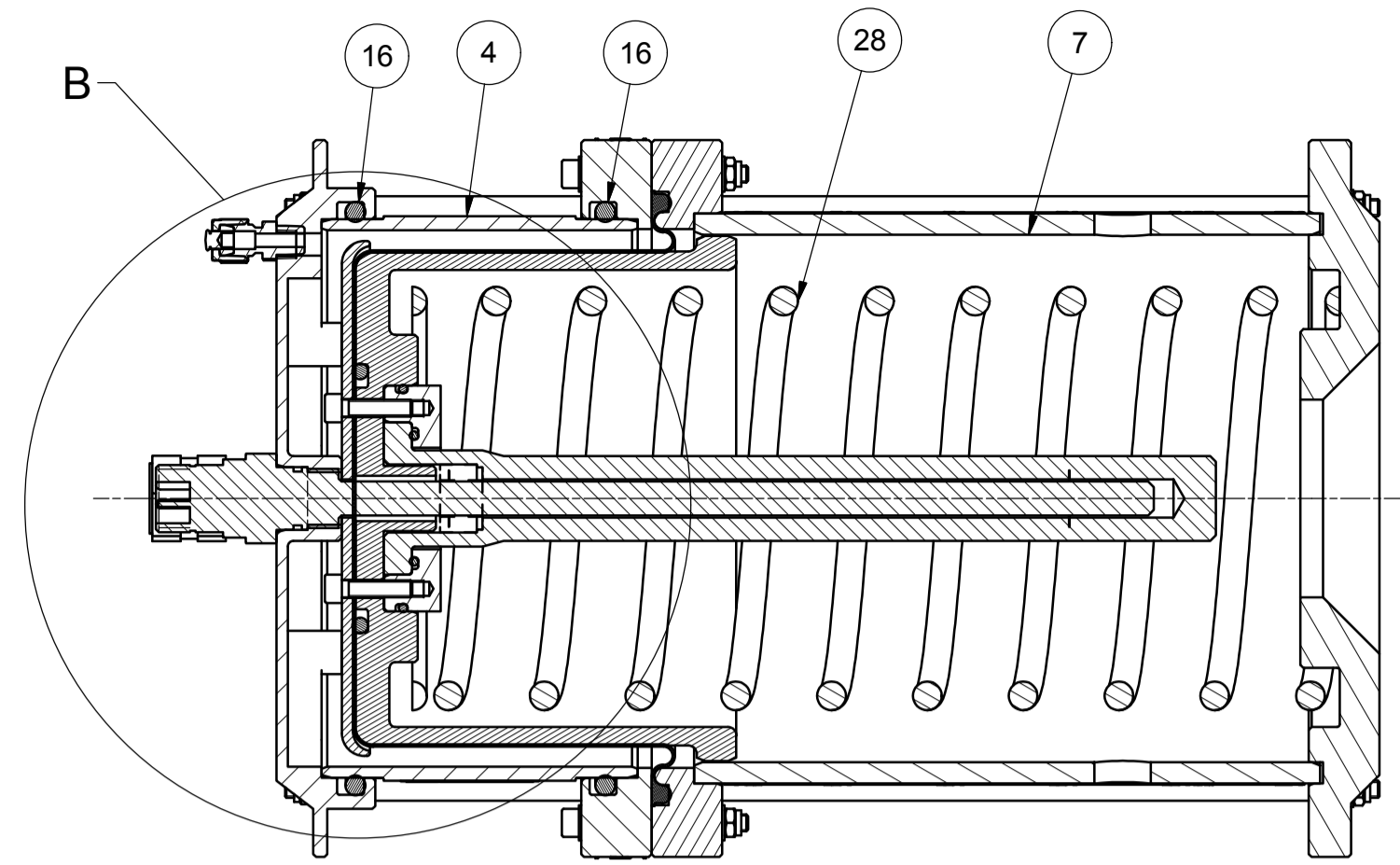


| PARTS LIST | | | |
|------------|-----------|------------------------------------------------------------------|-----|
| ITEM | PART No | DESCRIPTION | QTY |
| 1 | AA3146 | CONNECTOR MALE 1/8"NPT x 1/4" TUBE | 1 |
| 2 | AA3195 | FITTING PLUG 1/4" SS A4 - SWAGelok SS-400-P | 1 |
| 3 | AA7426 | VALVE RELIEF 30psi (3/4"NPT) | 1 |
| 4 | AC9794 | HOUSING UPPER - 6L COMPENSATOR | 1 |
| 5 | AC9795 | FLANGE COUPLING UPPER - 6L COMPENSATOR | 1 |
| 6 | AC9796 | FLANGE COUPLING LOWER - 6L COMPENSATOR | 1 |
| 7 | AC9797 | HOUSING LOWER - 6L COMP | 1 |
| 8 | AC9798 | BASE PLATE - 6L COMPENSATOR | 1 |
| 9 | AC9799 | DIAPHRAGM - 6L COMPENSATOR | 1 |
| 10 | AC9800 | TIE BAR - 6L COMP | 6 |
| 11 | AD0213 | HOUSING TRANSDUCER | 1 |
| 12 | AD0293 | CAP PLATE SENSOR HOUSING | 1 |
| 13 | AD0541 | SEAL O-RING 41.5 x 3.0 NBR70 | 1 |
| 14 | AD0710 | PISTON - 6L COMPENSATOR | 1 |
| 15 | AD0713 | RETAINER DIAPHRAGM - 6L COMPENSATOR | 1 |
| 16 | AD1227 | SEAL O-RING / 6.99 x 196.22 | 2 |
| 17 | AJ7205 | LABEL CURVETECH LOGO (BLACK ON TRANSPARENT) | 2 |
| 18 | AJ7481 | LABEL WARNING SPRING UNDER COMPRESSION | 1 |
| 19 | AJ8830 | TOP PLATE - 3L / 6L COMPENSATOR - 5 x 9/16"-18 UNF PORTS | 1 |
| 20 | AJ8831 | TRANSDUCER SENSOR; 220mm STROKE; SEACON 5507-1503; 4-20mA OUTPUT | 1 |
| 21 | AJ8833 | LABEL 6L COMPENSATOR LEVEL | 2 |
| 22 | PA0078 | NUT M6 NYLOC SS A2-70 | 24 |
| 23 | PA0192 | BOLT M6 x 25 SHCS SS A2-70 | 4 |
| 24 | PA0546 | WASHER M6 FLAT BS4320 FORM B SS A2 | 36 |
| 25 | PB7913 | SEAL O-RING 84.3 x 5.7 | 1 |
| 26 | PB9837 | BOLT M6 x 60 SHCS SS A2-70 | 12 |
| 27 | PE1755 | SEAL O-RING 74.5 X 3.0 | 1 |
| 28 | VE_3092-2 | SPRING RESERVOIR, 5 PSI | 1 |

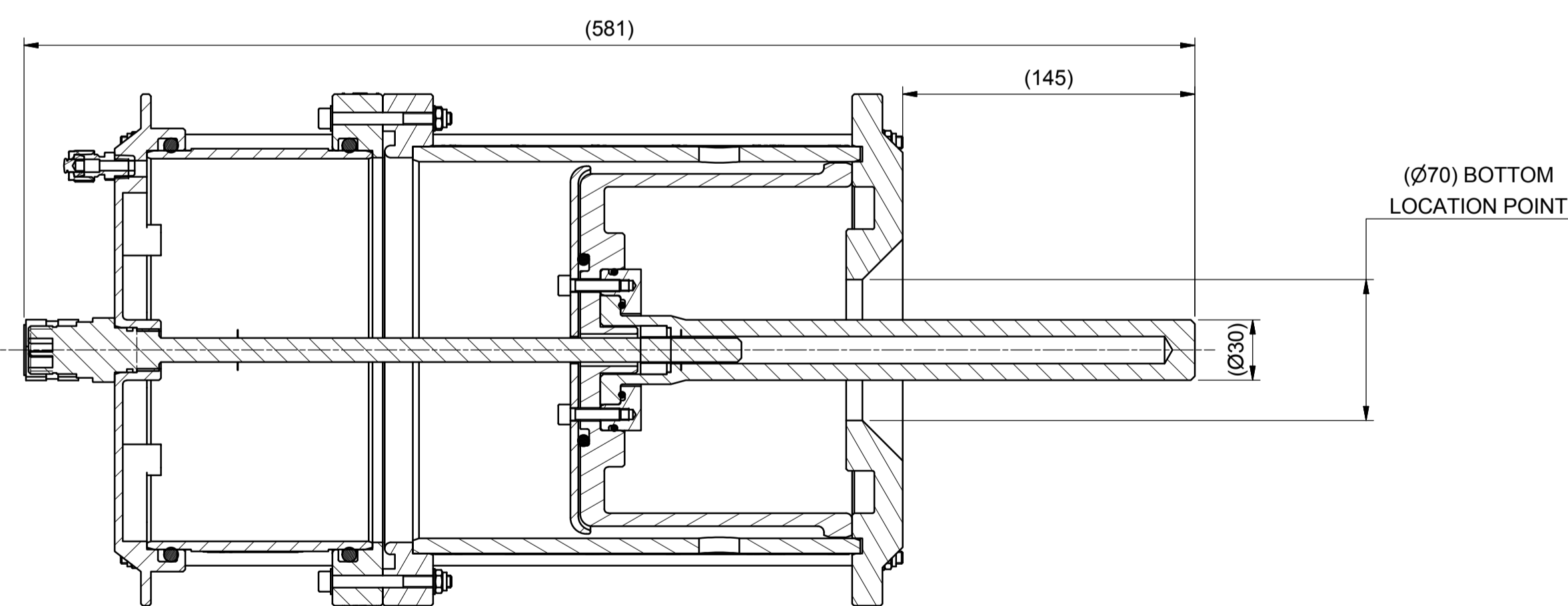
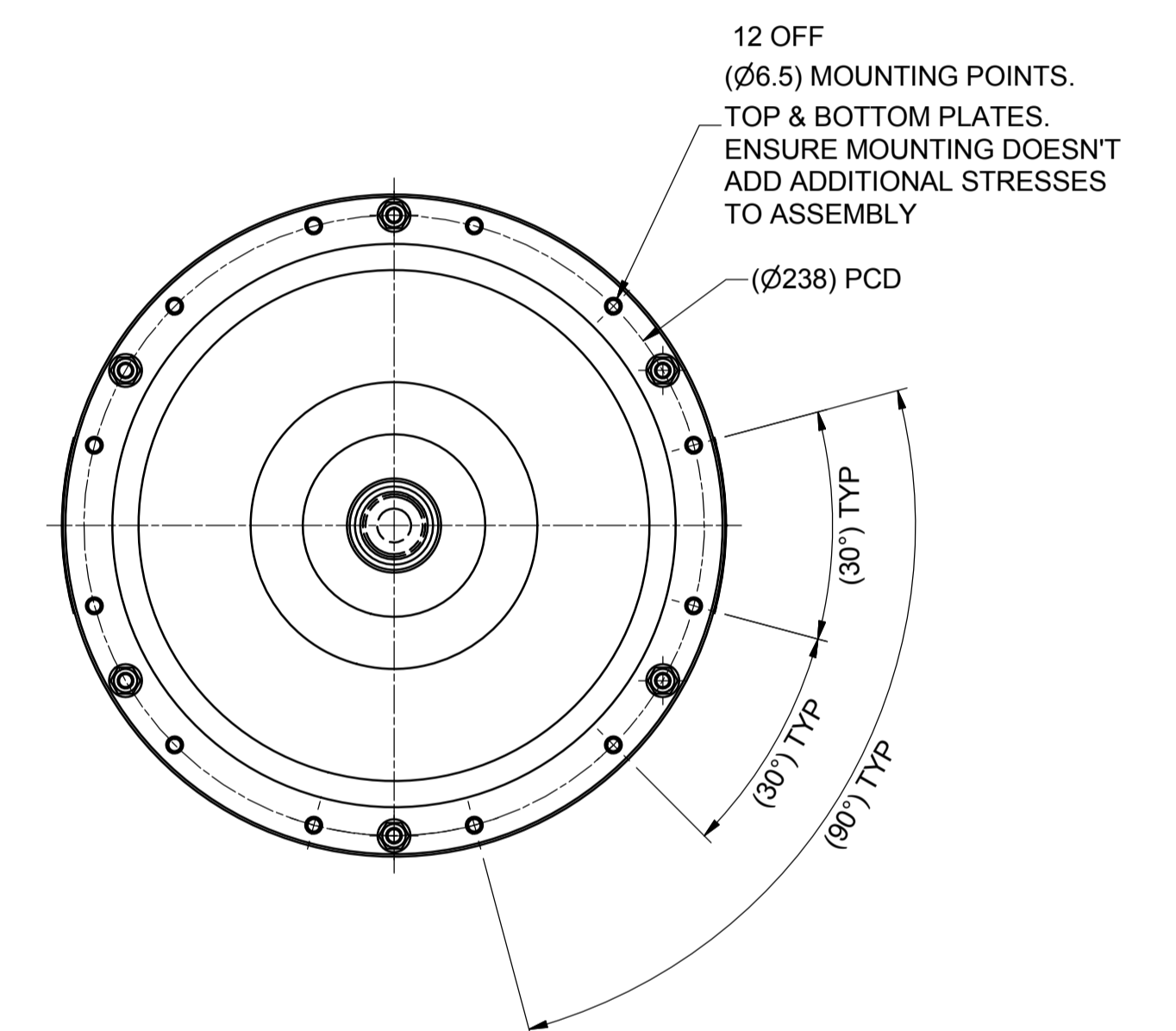
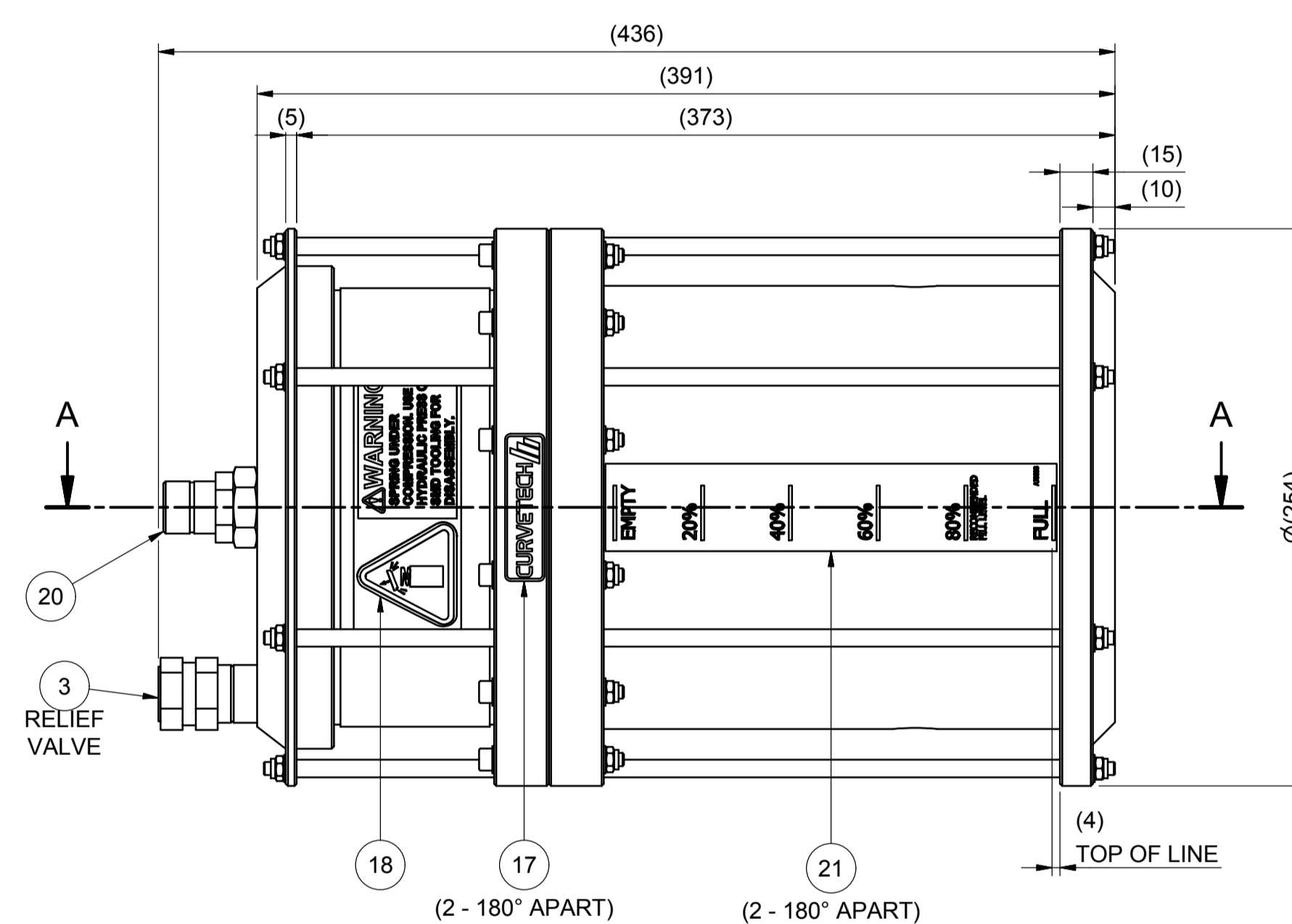
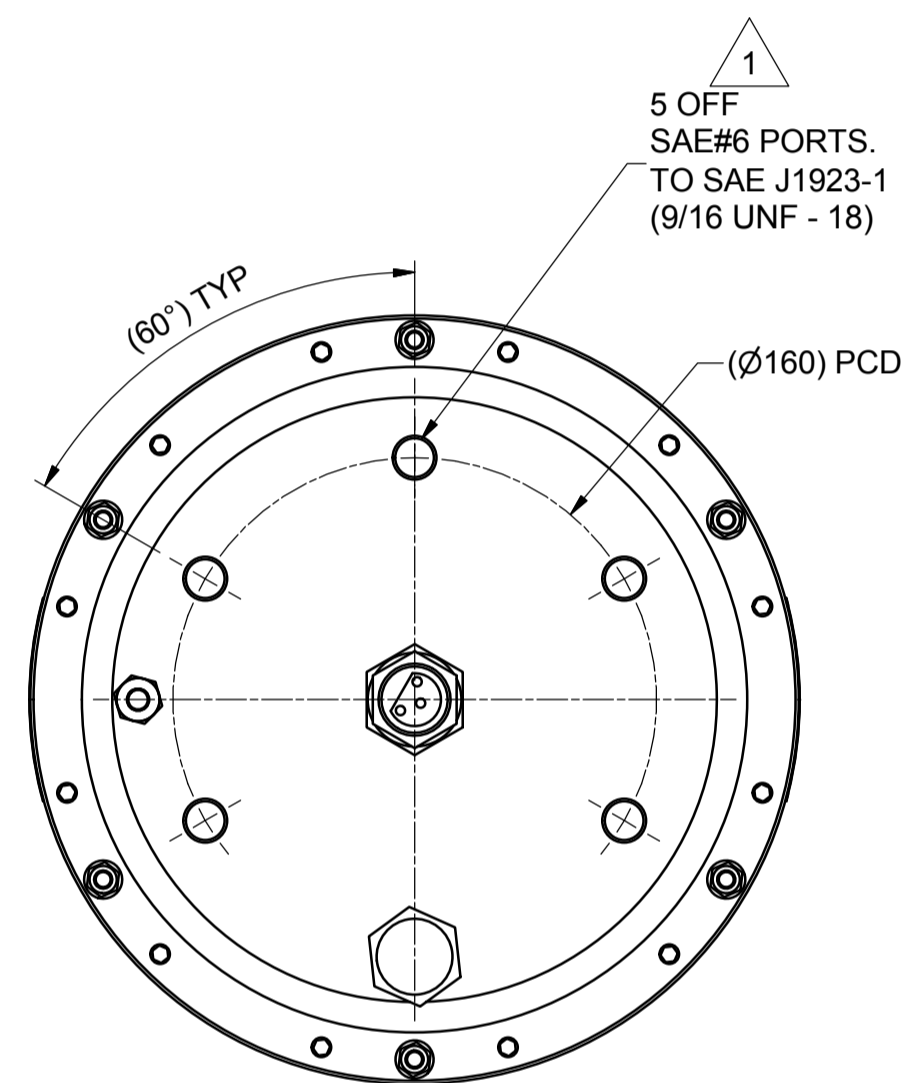
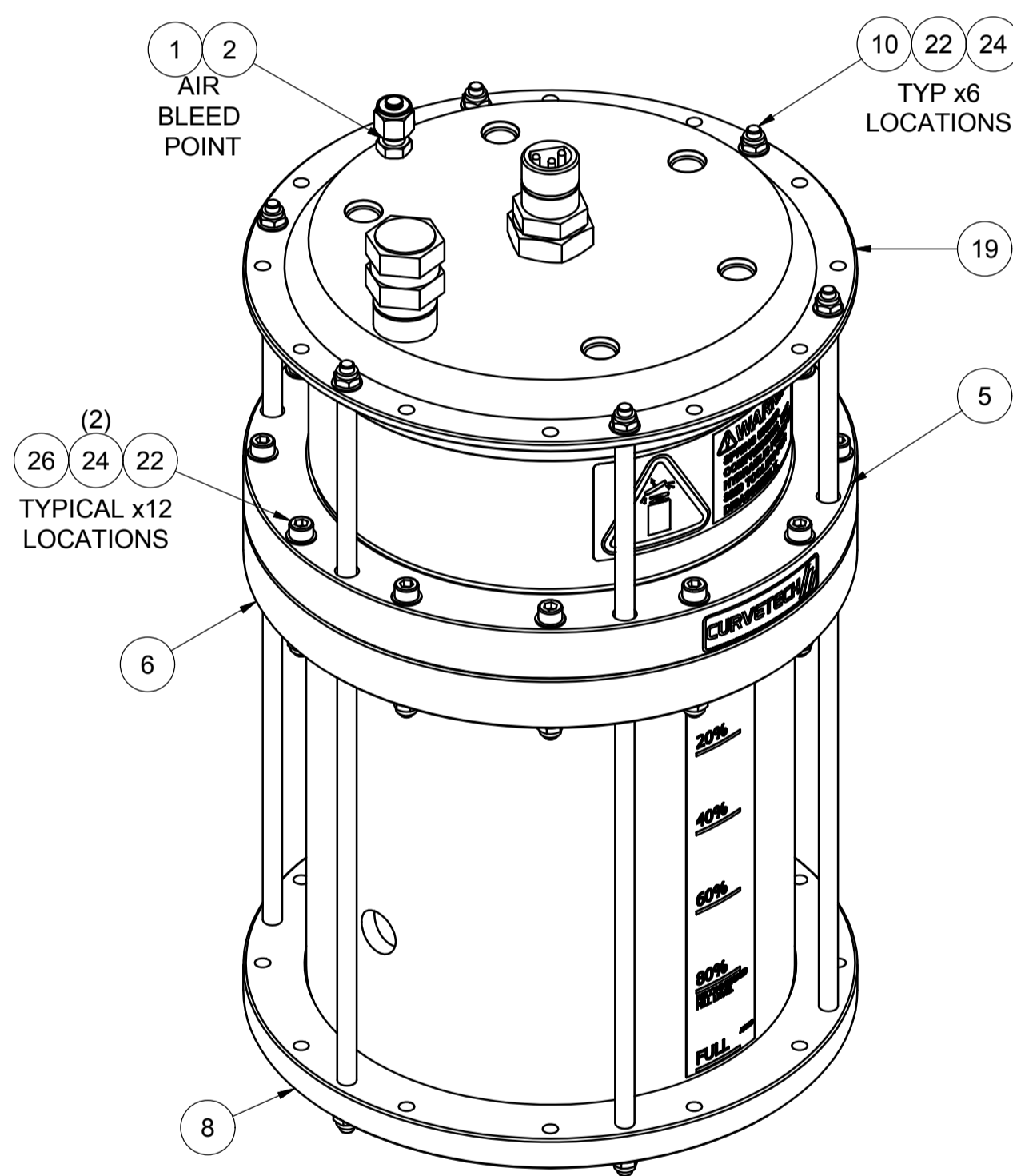


SECTION A-A

WARNING ! DANGER OF INJURY.

CARE MUST BE TAKEN WHEN FITTING OR REMOVING SPRING.
A HYDRAULIC PRESS WITH RELEVANT SAFETY FEATURES OR SMD COMPRESSION TOOL (AJ7395) SHOULD BE USED TO COMPRESS OR RELEASE THE SPRING.

DETAIL B
(1:2)



COMPENSATOR FULL
SCALE (1:2.5)

- NOTES :-
- ASSEMBLE IN ACCORDANCE WITH SMD SPECIFICATION W100.
 - APPLY MOLYKOTE GREASE ON 'O-RINGS' & APPLY AQUALUBE GREASE TO ALL THREADS.
 - BLANK ALL PORTS AFTER BUILD
 - IF IN DOUBT PLEASE ASK.

| SPECIFICATION (ESTIMATE) | | |
|--------------------------|-----------------------|----------|
| WEIGHT | IN AIR | 15.0 kg |
| | IN WATER | 9.5 kg |
| | IN AIR WITH OIL | 20.2 kg |
| | IN SEA WATER WITH OIL | 8.5 kg |
| VOLUME | FULL | 6 Litre |
| | EMPTY | 0 Litre |
| PRESSURE | FULL | 0.41 bar |
| | EMPTY | 0.06 bar |

| TRANSDUCER - SEACON 5507-1503 | |
|-------------------------------|-------------------|
| PIN | FUNCTION |
| 1 | COMMON |
| 2 | SIGNAL (4 - 20mA) |
| 3 | INPUT (13 - 32V) |

| REV | DATE | CHANGE COMMENT | ZONE | DRAWN | CHECKED | APPD | DATE | EST. MASS | DIMENSIONS | SCALE | PROJECTION 3RD | TITLE |
|-----|-----------|------------------------------------------------------------------------------------------------------------|------|-------|---------|------|----------|-----------|------------------------------------------------------------------------------|-------|----------------|----------------------------------------------------------------|
| 1 | 27 SEP 16 | FULL SECTION VIEW ADDED. SPECIFICATION TABLE UPDATED. THREAD DESIGNATION WAS INCORRECT - WAS 9/16"-28 UNF. | B4 | LO | PM | MvZ | 19/07/16 | 15 kg | mm | 1:2 | ☉ | ASSEMBLY COMPENSATOR 6L - 5xSAE#6 - 1-6 PSI - SEACON3 - 4-20mA |
| | | | | | | | DESIGNED | DRAWN | TOLERANCES UNLESS OTHERWISE STATED | | | |
| | | | | | | | LO | LO | DIMENSIONS mm UP TO 100 ±1.0 100 TO 300 ±1.5 300 TO 1000 ±2.0 OVER 1000 ±3.0 | | | |
| | | | | | | | CHECKED | APPROVED | FABRICATION MACHINED PART ±0.15 ±0.4 ±0.8 ±1.0 | | | |
| | | | | | | | MvZ | MvZ | | | | |
| | | | | | | | | | | | | MATERIAL:- N/A |
| | | | | | | | | | | | | DO NOT SCALE IF IN DOUBT ASK |
| | | | | | | | | | | | | DRAWING No |
| | | | | | | | | | | | | EV_4006-20 |
| | | | | | | | | | | | | REV No |
| | | | | | | | | | | | | 1 |
| | | | | | | | | | | | | SIZE |
| | | | | | | | | | | | | A1 |

ALL INTELLECTUAL PROPERTY RIGHTS SUBSISTING IN THESE DESIGNS ARE THE PROPERTY OF SOIL MACHINE DYNAMICS LTD. NO COPY IS TO BE MADE WITHOUT THE WRITTEN PERMISSION OF SOIL MACHINE DYNAMICS LTD. ANY PATENT APPLICATIONS, PATENTS AND / OR DESIGN APPLICATIONS, REGISTERED DESIGNS, DESIGN RIGHTS OR COPYRIGHT ARISING FROM OR CONTAINED IN THE DESIGNS ARE THE PROPERTY OF SOIL MACHINE DYNAMICS LTD. AND ALL INFORMATION MUST BE HELD IN THE STRICTEST CONFIDENCE

SMD Soil Machine Dynamics Ltd

SHEET 1 OF 1