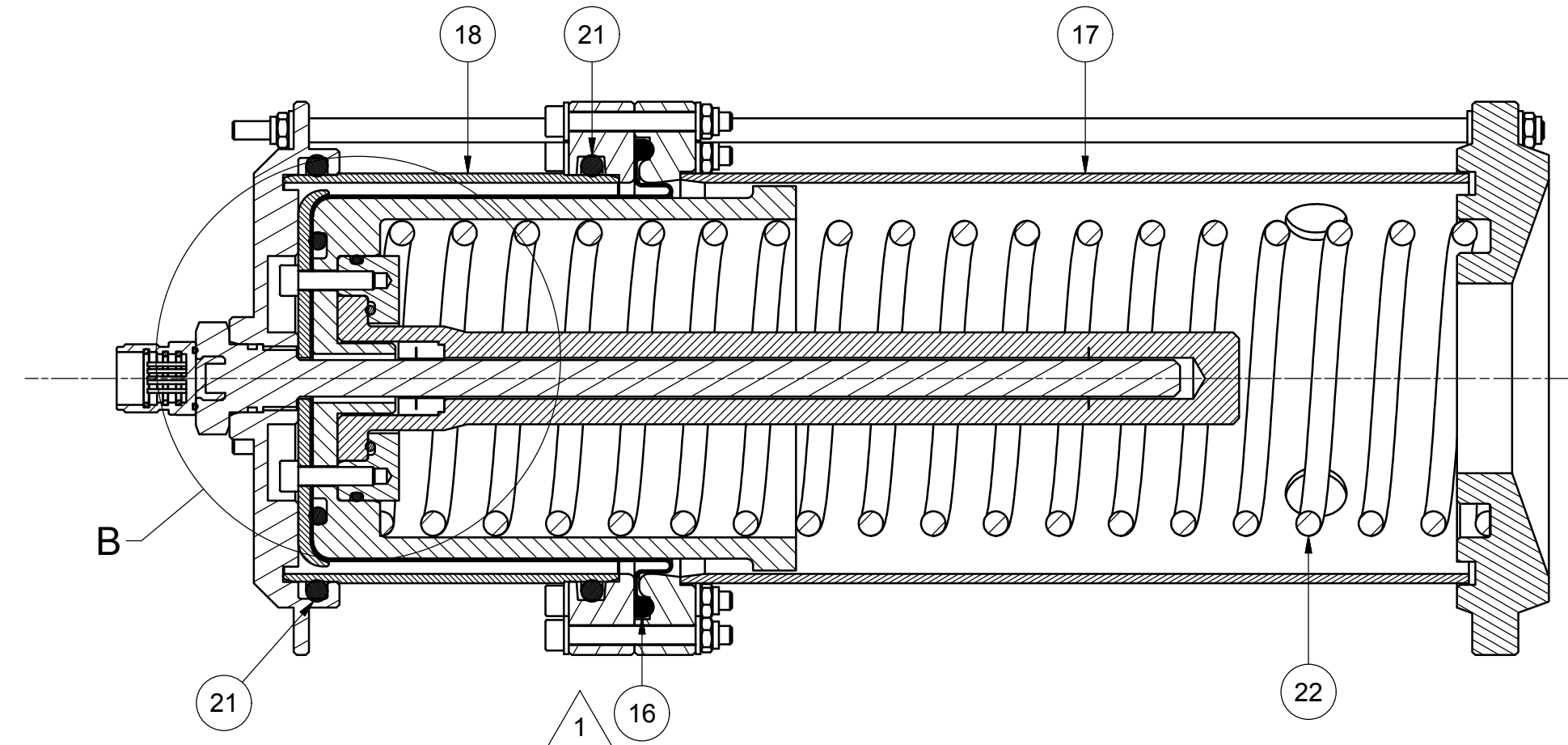
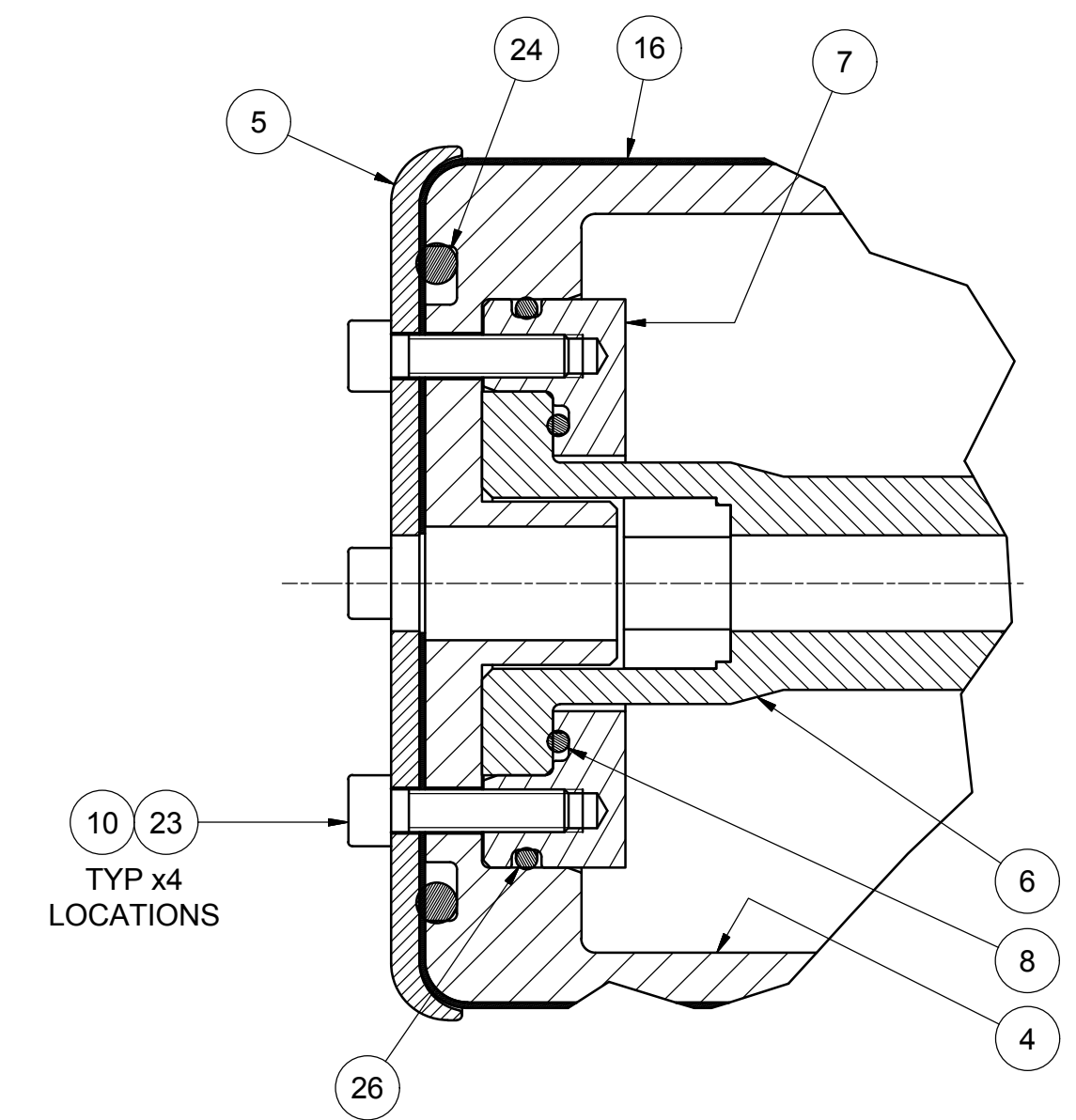


PARTS LIST			
ITEM	PART NUMB	DESCRIPTION	QTY
1	AC7850	BOLT M6 x 55 SHCS SS A4-80	12
2	AC9722	BASEPLATE 2.75 L COMP	1
3	AC9723	COUPLING FLANGE LOWER	1
4	AC9724	PISTON 2.75L COMPENSATOR	1
5	AC9727	RETAINER DIAPHRAGM 2.75L COMPENSATOR	1
6	AD0213	HOUSING TRANSDUCER	1
7	AD0293	CAP PLATE SENSOR HOUSING	1
8	AD0541	SEAL O-RING 41.5 x 3.0 NBR70	1
9	AD3437	NUT M6 NYLOC SS A4-80	20
10	AE8079	WASHER M6 FLAT BS4320 FORM A SS A4	36
11	AF7594	SENSOR LJW 0220 M 0.3A S 2391	1
12	AF8054	TOP PLATE, 2.75L COMPENSATOR	1
13	AJ7205	LABEL CURVETECH LOGO (BLACK ON TRANSPARENT)	2
14	AJ7481	LABEL WARNING SPRING UNDER COMPRESSION	1
15	AJ8833	LABEL 2.75L & 6L COMPENSATOR LEVEL GAUGE	2
16	AJ9375	DIAPHRAGM 2.75L COMPENSATOR DV_3008 WITH MOUNTING HOLES	1
17	DE_2085	PISTON HOUSING BOTTOM	1
18	DE_2086	PRESSURE HOUSING TOP	1
19	DE_2088	COUPLING FLANGE UPPER	1
20	DE_3736	TIE BAR 2.75 LITRE COMPENSATOR	4
21	OR_152431	O' RING 132.0 X 7.0 (BS431)	2
22	OV_4638	SPRING TYPE 'B' 2.75 COMPENSATOR	1
23	PA0192	BOLT M6 x 25 SHCS SS A2-70	4
24	PB7913	SEAL O-RING 84.3 x 5.7	1
25	PD8370	VALVE RELIEF 15psi (1/4"NPT)	1
26	PE1755	SEAL O-RING 74.5 X 3.0	1

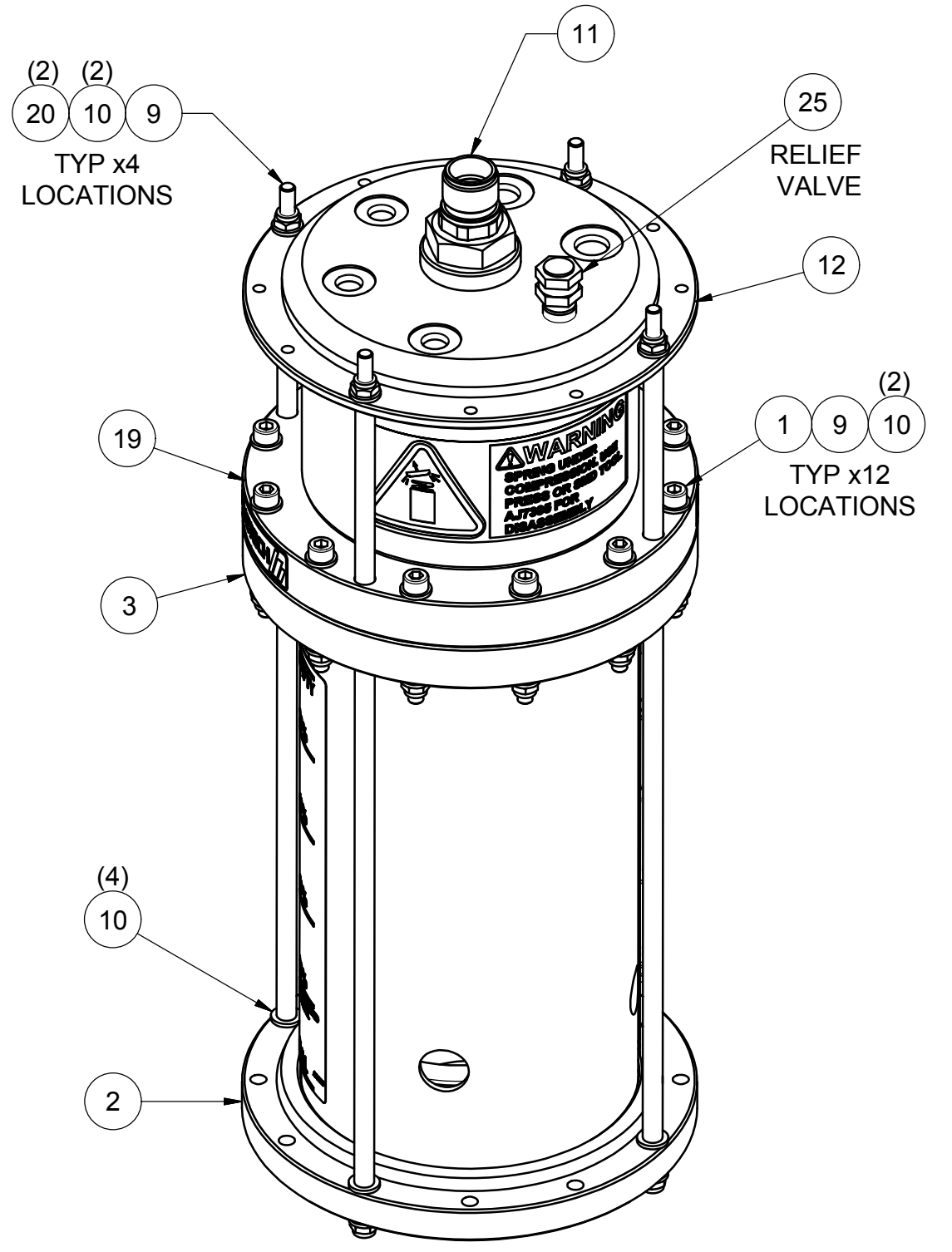
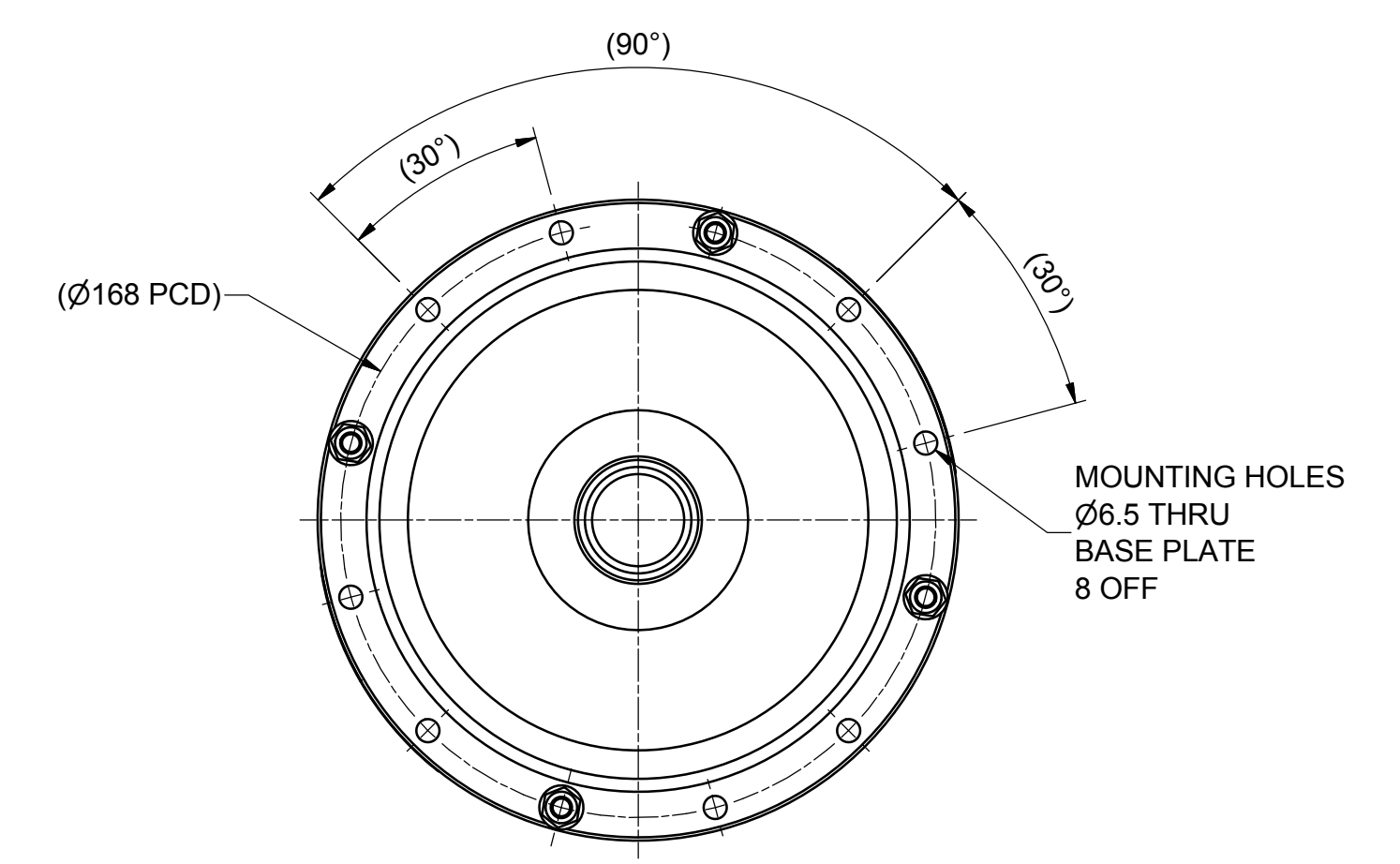
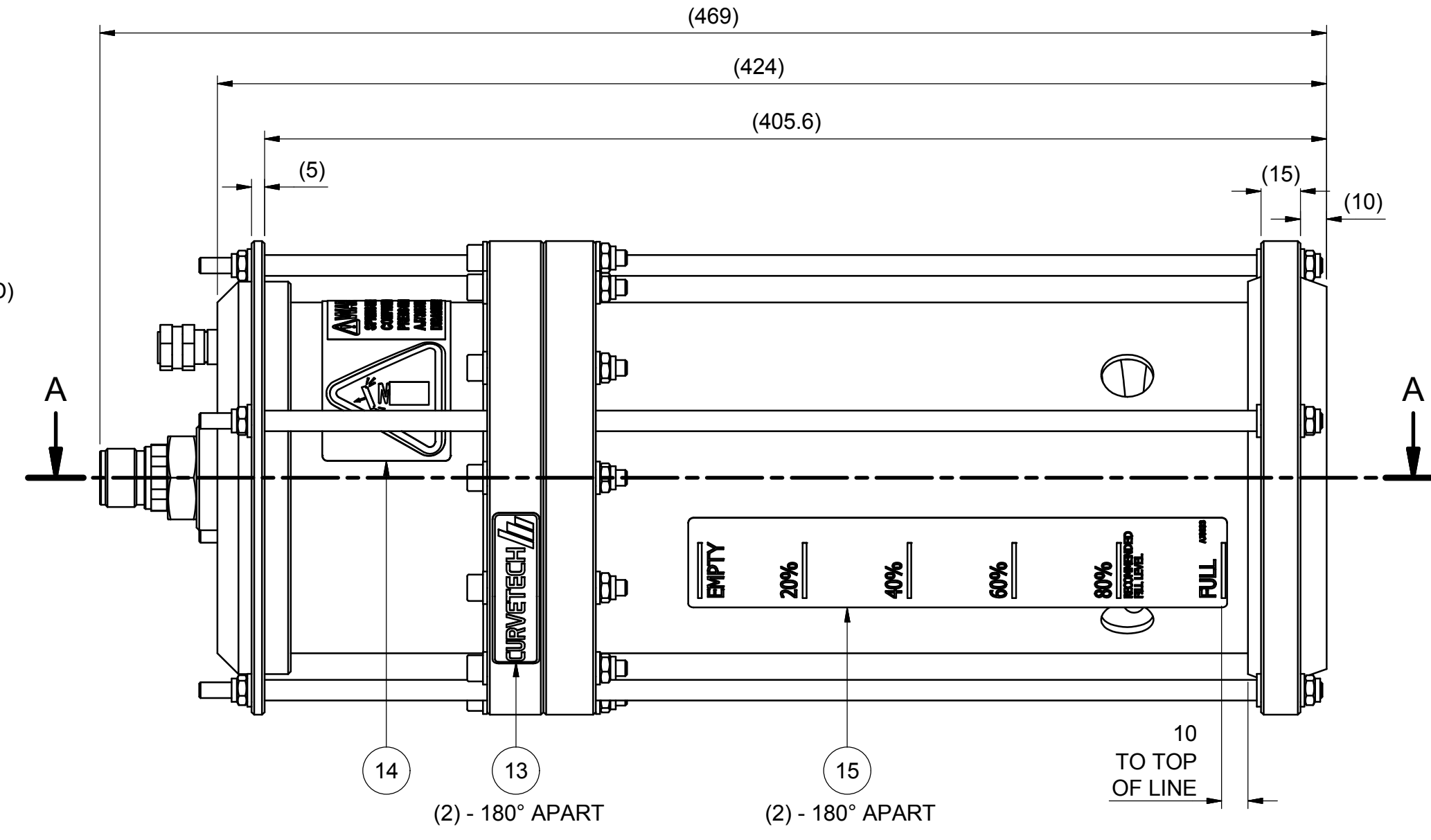
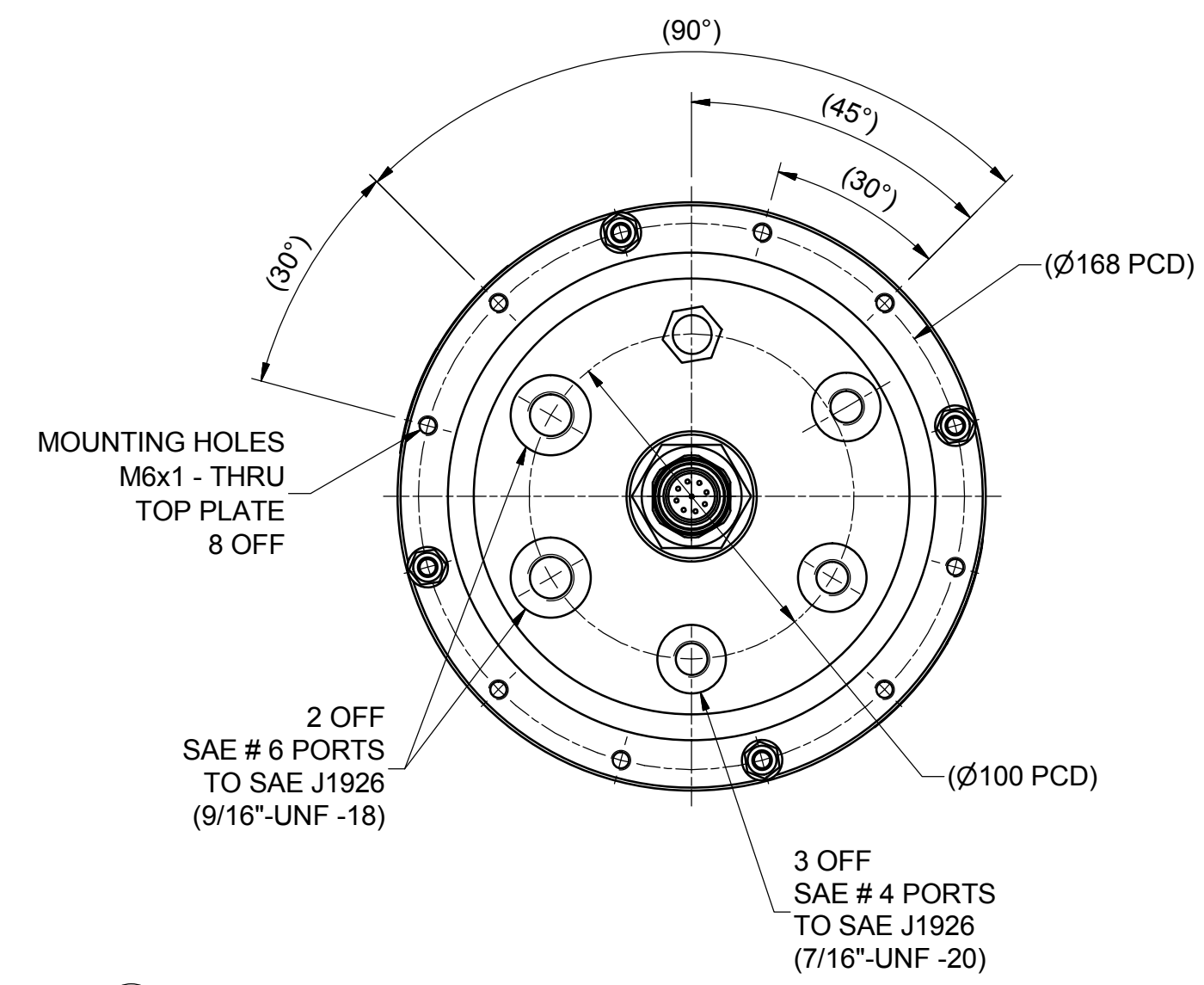


SECTION A-A

**WARNING ! DANGER OF INJURY.**  
 CARE MUST BE TAKEN WHEN FITTING OR REMOVING SPRING.  
 A HYDRAULIC PRESS WITH RELEVANT SAFETY FEATURES OR SMD  
 COMPRESSION TOOL (AJ7395) SHOULD BE USED TO COMPRESS OR RELEASE THE SPRING.



DETAIL B  
 ITEMS REMOVED FOR CLARITY  
 (SCALE 1:1)



TRANSDUCER - IMPULSE MHDG-9-BCR	
PIN	FUNCTION
1	COMMON
2	INPUT (13-32V)
4	SHELL GROUND
8	SIGNAL: 4-20mA
3,5,6,7, & 9	NOT CONNECTED

SPECIFICATION (ESTIMATE)		
WEIGHT	IN AIR	9.4 kg
	IN WATER	6.3 kg
	IN AIR WITH OIL	11.7 kg
	IN SEA WATER WITH OIL	5.9 kg
VOLUME	FULL	2.75 Litre
	EMPTY	0 Litre
PRESSURE	FULL	0.8 bar
	EMPTY	0.4 bar

- NOTES :-
- ASSEMBLE IN ACCORDANCE WITH SMD SPECIFICATION W100.
  - APPLY MOLYKOTE GREASE ON 'O-RINGS' & APPLY AQUALUBE GREASE TO ALL THREADS.
  - BLANK ALL PORTS AFTER BUILD.
  - IF IN DOUBT PLEASE ASK.

REV	DATE	CHANGE COMMENT	ZONE	DRAWN	CHECKED	APPD	DATE	EST. MASS	DIMENSIONS	SCALE	PROJECTION 3RD	TITLE	
1	22 SEP 16	AJ9375 REPLACES DV_3008.	B5	LO	PM	MvZ	16 JUN 16	9 kg	mm	1:2		ASSEMBLY COMP. 2.75L - 2xSAE#6 3xSAE#4 - 6-12PSI - MHDG9 - 4-20mA	
							DESIGNED	DRAWN	TOLERANCES UNLESS OTHERWISE STATED				
							DH	DH	DIMENSIONS mm UP TO 100 ±1.0 100 TO 300 ±1.5 300 TO 1000 ±2.0 OVER 1000 ±3.0				
							CHECKED	APPROVED	FABRICATION ±1.0 ±1.5 ±2.0 ±3.0				
							MvZ	MvZ	MACHINED PART ±0.15 ±0.4 ±0.8 ±1.0				
<p>ALL INTELLECTUAL PROPERTY RIGHTS SUBSISTING IN THESE DESIGNS ARE THE PROPERTY OF SOIL MACHINE DYNAMICS LTD.          NO COPY IS TO BE MADE WITHOUT THE WRITTEN PERMISSION OF SOIL MACHINE DYNAMICS LTD. ANY PATENT APPLICATIONS,          PATENTS AND / OR DESIGN APPLICATIONS, REGISTERED DESIGNS, DESIGN RIGHTS OR COPYRIGHT ARISING FROM OR CONTAINED IN THE          DESIGNS ARE THE PROPERTY OF SOIL MACHINE DYNAMICS LTD. AND ALL INFORMATION MUST BE HELD IN THE STRICTEST CONFIDENCE</p>													
										Soil Machine Dynamics Ltd			
										DO NOT SCALE IF IN DOUBT ASK	DRAWING No	REV No.	SIZE
										EV_4003-41	1	A1	
SHEET 1 OF 1													