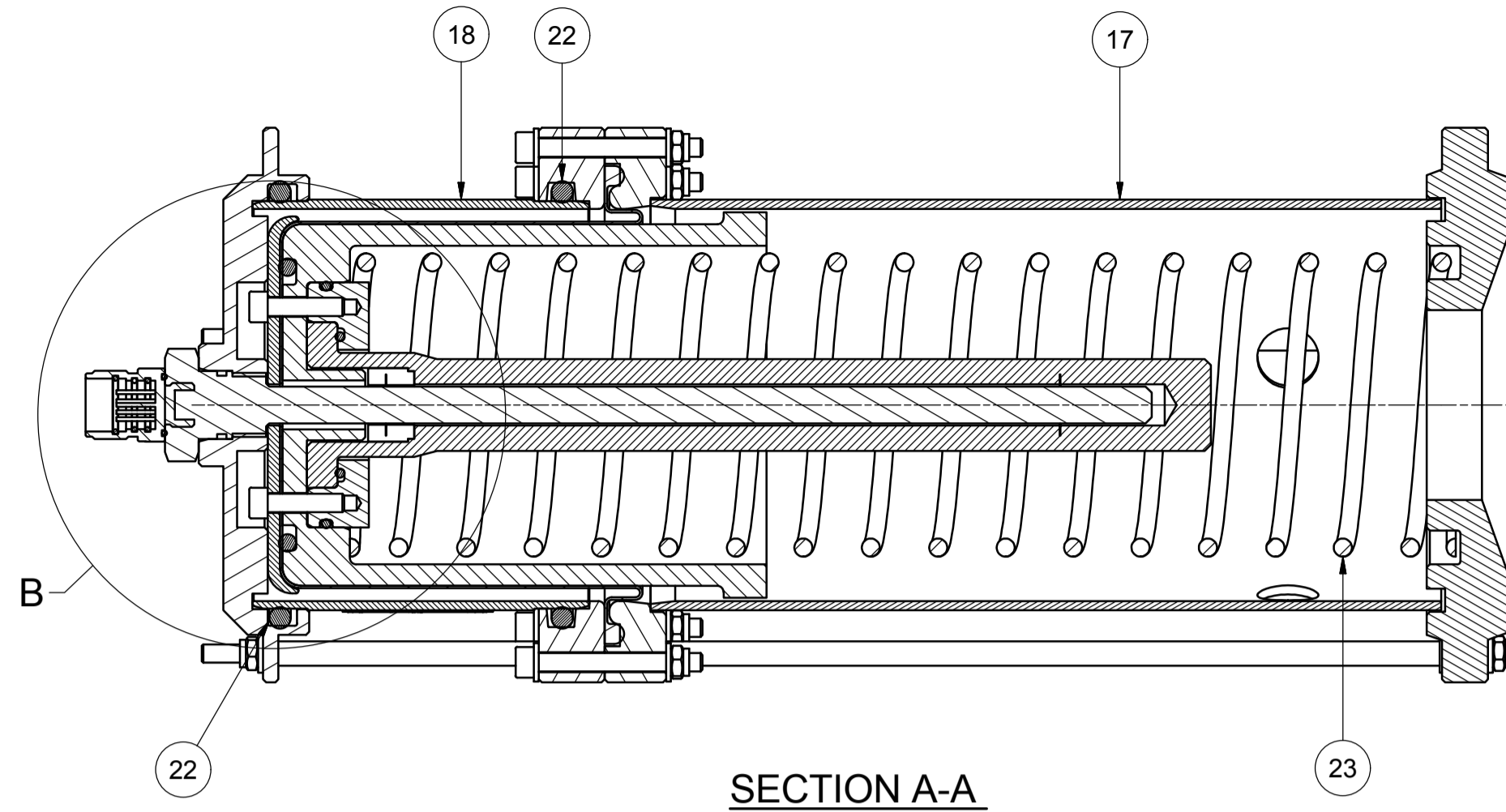
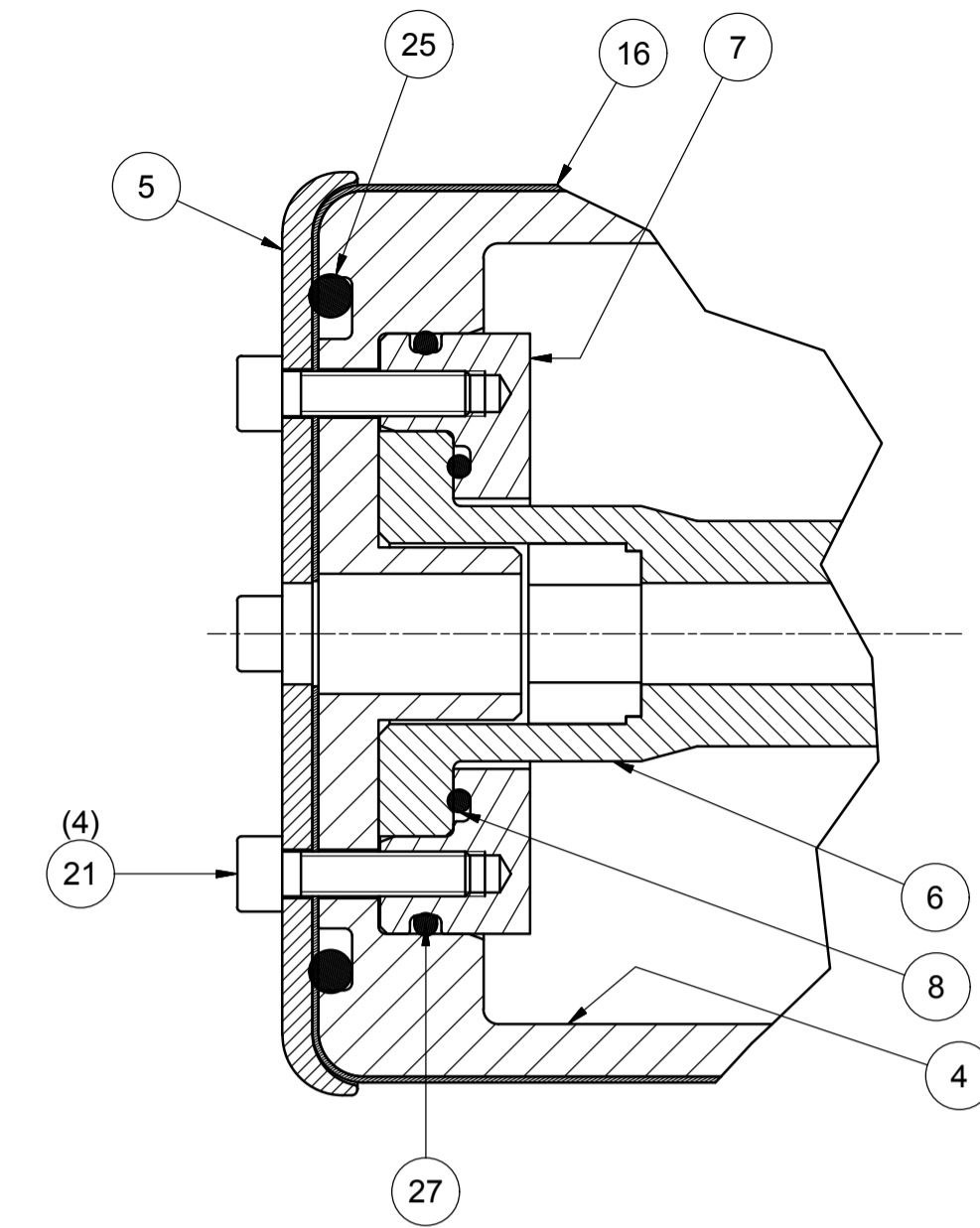


ITEM	PART NUMB	DESCRIPTION	QTY
1	AC7850	BOLT M6 x 55 SHCS SS A4-80	12
2	AC9722	BASEPLATE 2.75 L COMP	1
3	AC9723	COUPLING FLANGE LOWER	1
4	AC9724	PISTON 2.75L COMPENSATOR	1
5	AC9727	RETAINER DIAPHRAGM 2.75L COMPENSATOR	1
6	AD0213	HOUSING TRANSDUCER	1
7	AD0293	CAP PLATE SENSOR HOUSING	1
8	AD0541	SEAL O-RING 41.5 x 3.0 NBR70	1
9	AD3437	NUT M6 NYLOC SS A4-80	20
10	AE8079	WASHER M6 FLAT BS4320 FORM A SS A4	32
11	AF7594	SENSOR LJW 0220 M 0.3A S 2391	1
12	AF8054	TOP PLATE, 2.75L COMPENSATOR	1
13	AJ7205	LABEL CURVETECH LOGO (BLACK ON TRANSPARENT)	2
14	AJ7481	LABEL WARNING SPRING UNDER COMPRESSION	1
15	AJ8833	LABEL 2.75L & 6L COMPENSATOR LEVEL GAUGE	2
16	AJ9375	DIAPHRAGM 2.75L COMPENSATOR DV_3008 WITH MOUNTING HOLES	1
17	DE_2085	PISTON HOUSING BOTTOM	1
18	DE_2086	PRESSURE HOUSING TOP	1
19	DE_2088	COUPLING FLANGE UPPER	1
20	DE_3736	TIE BAR 2.75 LITRE COMPENSATOR	4
21	OB_5205	BOLT M6 x 25 SHCS SS A4-80	4
22	OR_152431	O' RING 132.0 X 7.0 (BS431)	2
23	OV_4732	SPRING TYPE 'B' 2.75 COMPENSATOR	1
24	PA0546	WASHER M6 FLAT BS4320 FORM B SS A2	4
25	PB7913	SEAL O-RING 84.3 x 5.7	1
26	PD8370	VALVE RELIEF 15psi (1/4"NPT)	1
27	PE1755	SEAL O-RING 74.5 X 3.0	1

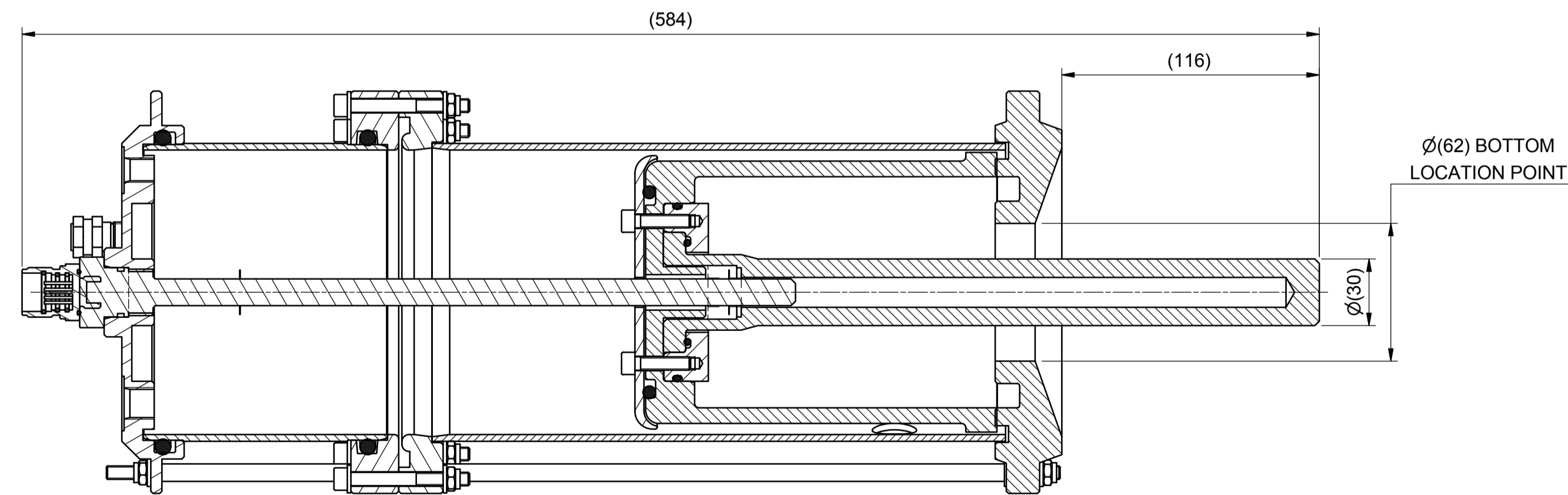
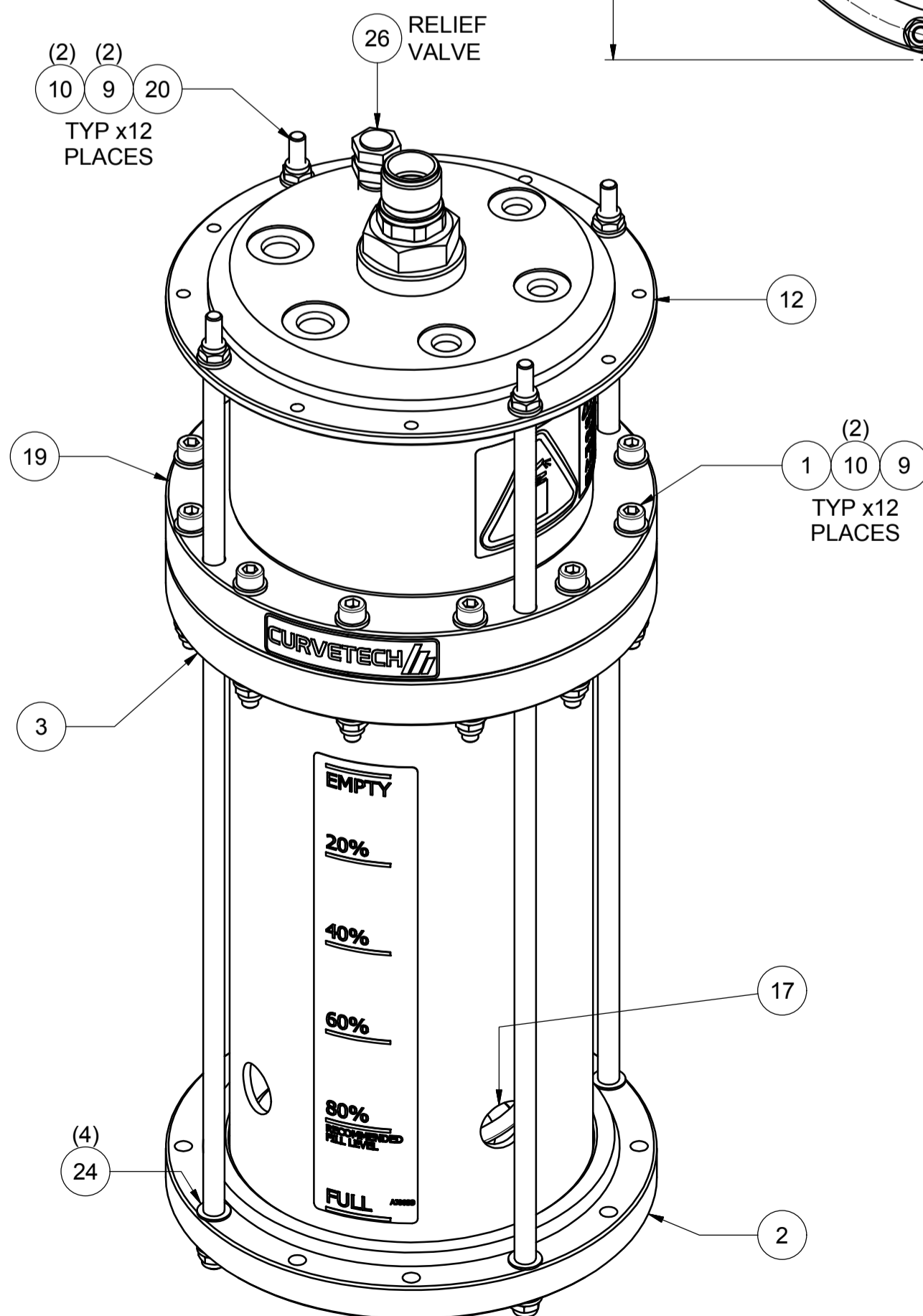
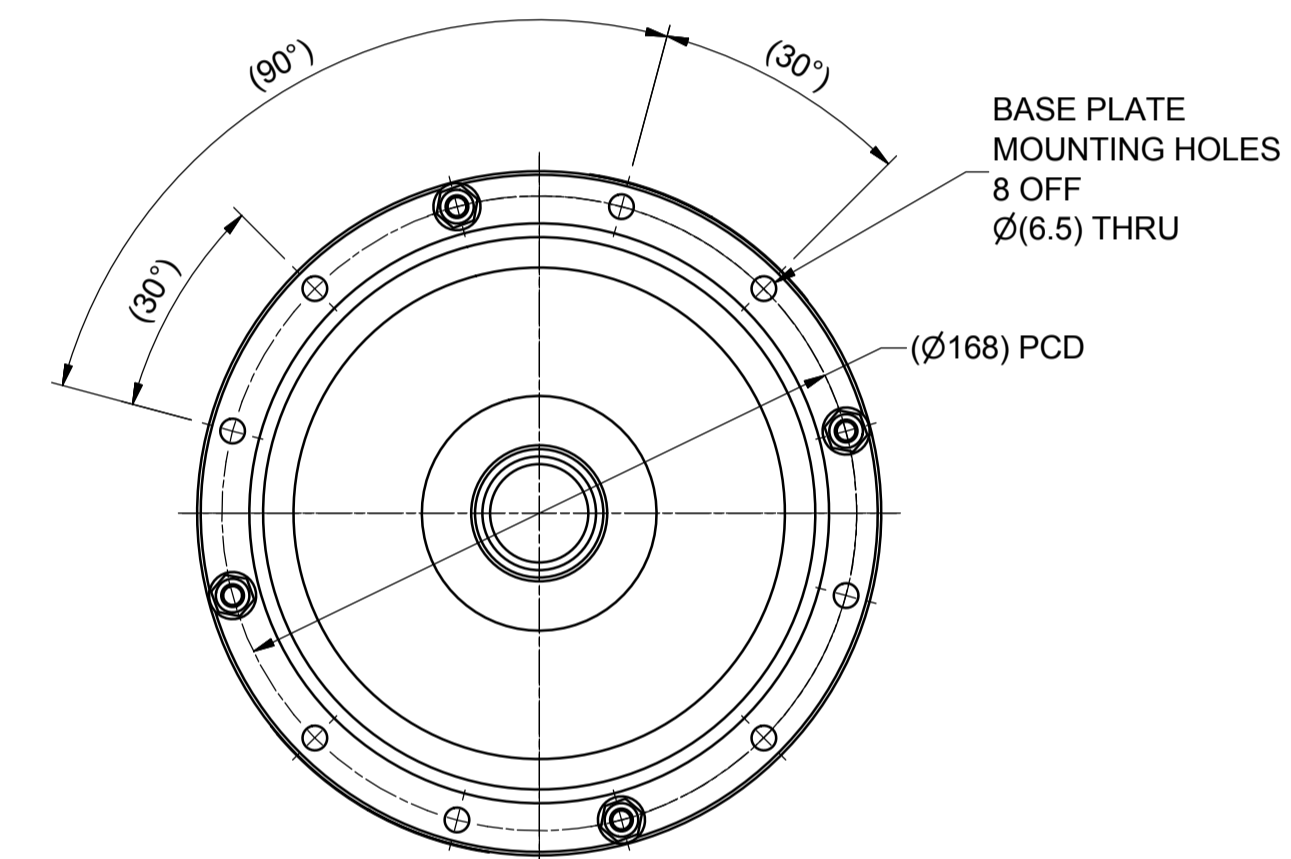
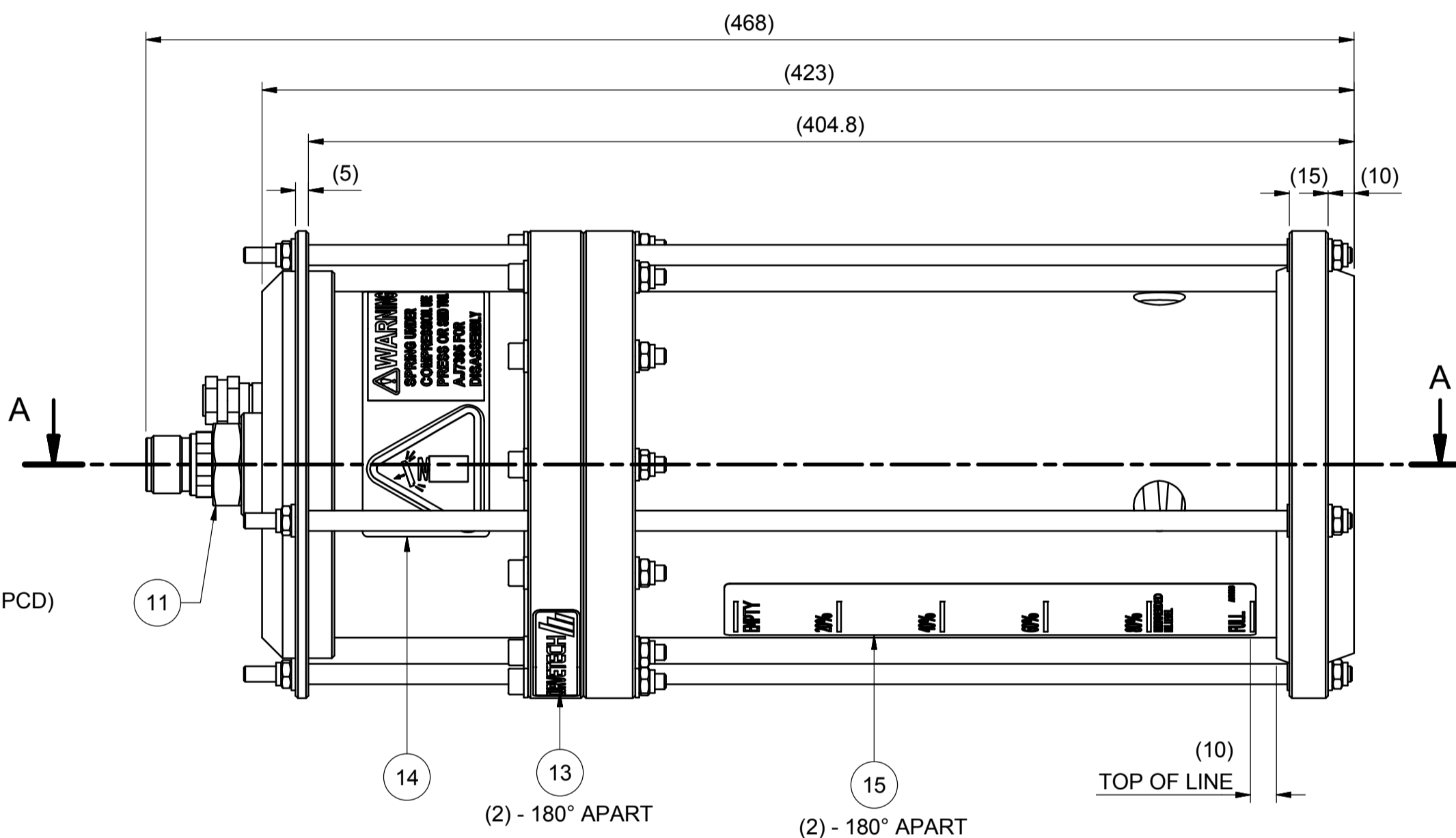
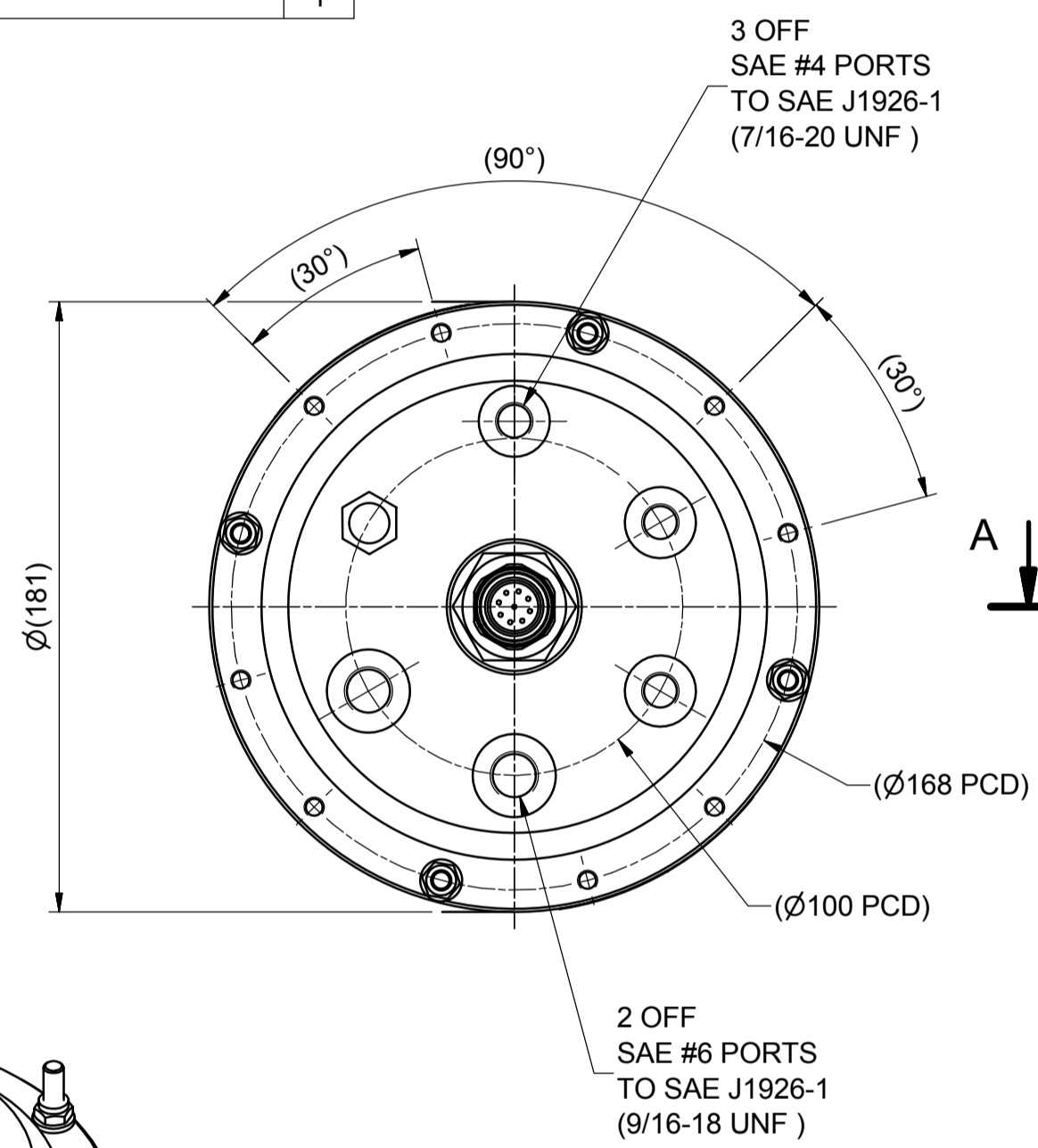


SECTION A-A



DETAIL B
SCALE: 1:1

WARNING ! DANGER OF INJURY.
 CARE MUST BE TAKEN WHEN FITTING OR REMOVING SPRING.
 A HYDRAULIC PRESS WITH RELEVANT SAFETY FEATURES OR SMD
 COMPRESSION TOOL (AJ7395) SHOULD BE USED TO COMPRESS OR RELEASE THE SPRING.



SECTION VIEW
SHOWING COMPENSATOR FULL

SPECIFICATION (ESTIMATE)		
WEIGHT	IN AIR	8.2 kg
	IN WATER	5.4 kg
	IN AIR WITH OIL	10.5 kg
	IN SEA WATER WITH OIL	4.9 kg
VOLUME	FULL	2.75 Litre
	EMPTY	0 Litre
PRESSURE	FULL	0.3 bar
	EMPTY	0.15 bar

TRANSDUCER - IMPULSE MHDG-9-BCR	
PIN	FUNCTION
1	COMMON
2	INPUT (13-32V)
4	SHELL GROUND
8	SIGNAL (4-20mA)
3,5,6,7, & 9	NOT CONNECTED

- NOTES :-
- COPY OF AF7406
 - ASSEMBLE IN ACCORDANCE WITH SMD SPECIFICATION W100.
 - APPLY MOLYKOTE GREASE ON 'O-RINGS' & APPLY AQUALUBE GREASE TO ALL THREADS.
 - BLANK ALL PORTS AFTER BUILD.
 - IF IN DOUBT PLEASE ASK.

REV	DATE	CHANGE COMMENT	ZONE	DRAWN	CHECKED	APPD	DATE	EST. MASS	DIMENSIONS	SCALE	PROJECTION 3RD	TITLE
	22 SEP16							8 kg	mm	1:2	☉	ASSEMBLY COMPENSATOR 2.75L - 2.5-5PSI - 3xSAE#4, 2xSAE#6 - IMPULSE9 - 4-20mA
DESIGNED												
MVZ												
CHECKED												
PM												

ALL INTELLECTUAL PROPERTY RIGHTS SUBSISTING IN THESE DESIGNS ARE THE PROPERTY OF SOIL MACHINE DYNAMICS LTD.
 NO COPY IS TO BE MADE WITHOUT THE WRITTEN PERMISSION OF SOIL MACHINE DYNAMICS LTD. ANY PATENT APPLICATIONS,
 PATENTS AND / OR DESIGN APPLICATIONS, REGISTERED DESIGNS, DESIGN RIGHTS OR COPYRIGHT ARISING FROM OR CONTAINED IN THE
 DESIGNS ARE THE PROPERTY OF SOIL MACHINE DYNAMICS LTD. AND ALL INFORMATION MUST BE HELD IN THE STRICTEST CONFIDENCE

SMD Soil Machine Dynamics Ltd

DRAWING No	REV No.	SIZE
EV_4003-39	0	A1

SHEET 1 OF 1