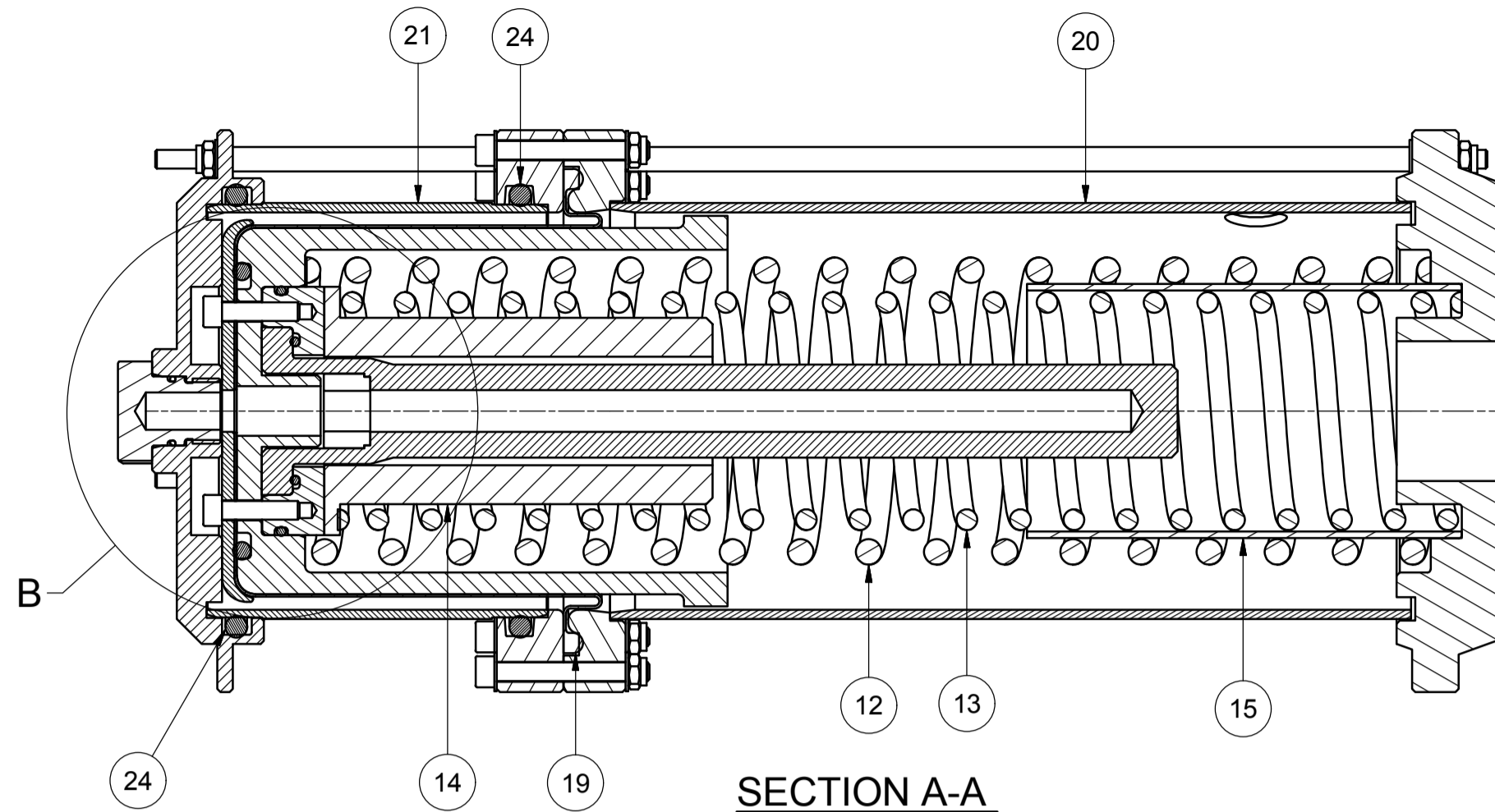
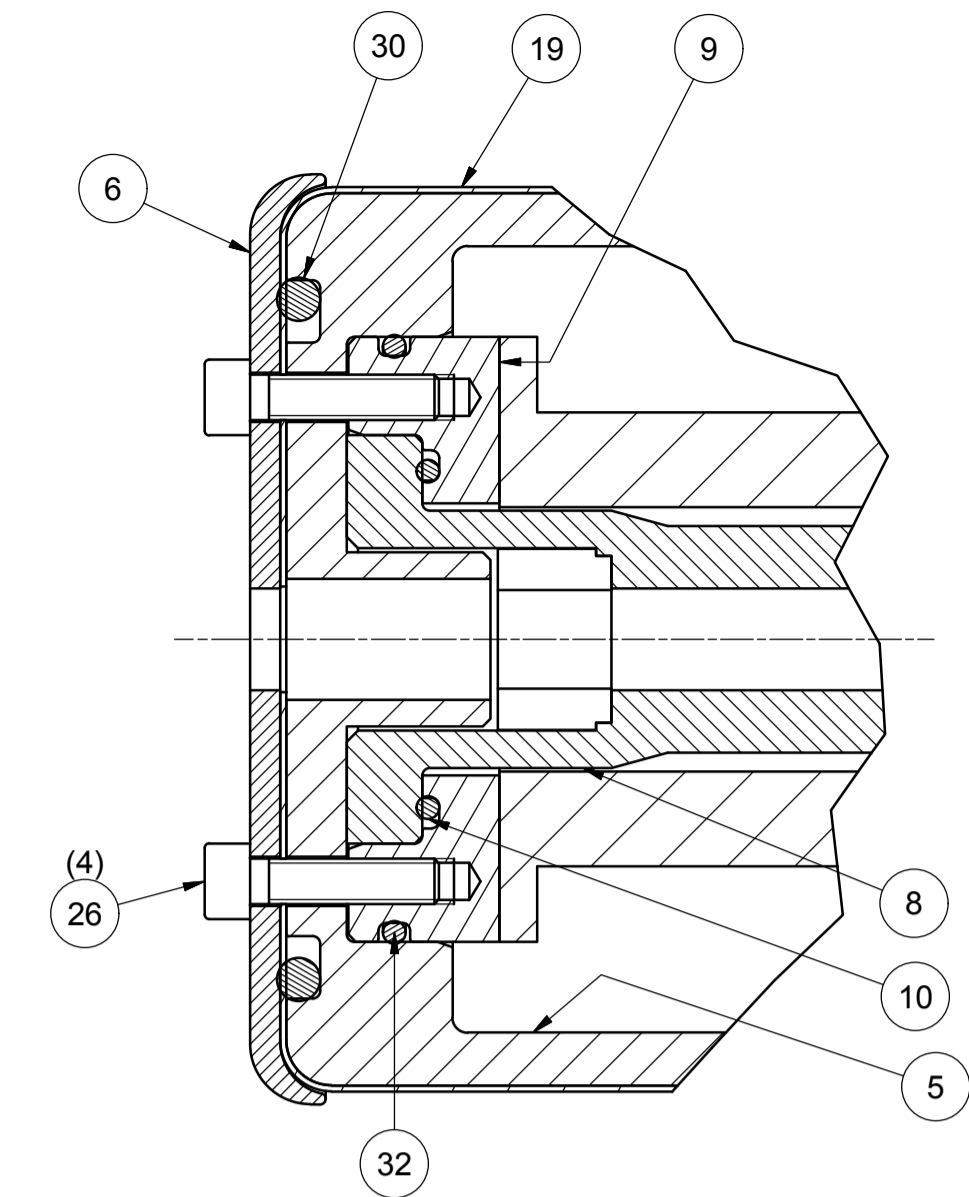


| PARTS LIST | | | |
|------------|-----------|---|-----|
| ITEM | PART NUMB | DESCRIPTION | QTY |
| 1 | AA3146 | CONNECTOR MALE 1/8"NPT x 1/4" TUBE | 1 |
| 2 | AA3195 | FITTING PLUG 1/4" SS A4 - SWAGelok SS-400-P | 1 |
| 3 | AC9721 | TOP PLATE, 2.75L COMPENSATOR | 1 |
| 4 | AC9723 | COUPLING FLANGE LOWER | 1 |
| 5 | AC9724 | PISTON 2.75L COMPENSATOR | 1 |
| 6 | AC9727 | RETAINER DIAPHRAGM 2.75L COMPENSATOR | 1 |
| 7 | AC9729 | BLANK - ROTA TRANSDUCER LJW | 1 |
| 8 | AD0213 | HOUSING TRANSDUCER | 1 |
| 9 | AD0293 | CAP PLATE SENSOR HOUSING | 1 |
| 10 | AD0541 | SEAL O-RING 41.5 x 3.0 NBR70 | 1 |
| 11 | AF3623 | PLATE 2.75 L COMPENSATOR BASE | 1 |
| 12 | AF3635 | SPRING OUTER (2.75L COMP- 1-2BAR) | 1 |
| 13 | AF3637 | SPRING INNER (2.75L COMP - 1-2 BAR) | 1 |
| 14 | AJ0001 | COLLAR - INNER SPRING 2.75L COMP | 1 |
| 15 | AJ0002 | SPACER COMP SPRING | 1 |
| 16 | AJ7205 | LABEL CURVETECH LOGO (BLACK ON TRANSPARENT) | 2 |
| 17 | AJ7481 | LABEL WARNING SPRING UNDER COMPRESSION | 1 |
| 18 | AJ8833 | LABEL 2.75L & 6L COMPENSATOR LEVEL GAUGE | 2 |
| 19 | AJ9375 | DIAPHRAGM 2.75L COMPENSATOR DV_3008 WITH MOUNTING HOLES | 1 |
| 20 | DE_2085 | PISTON HOUSING BOTTOM | 1 |
| 21 | DE_2086 | PRESSURE HOUSING TOP | 1 |
| 22 | DE_2088 | COUPLING FLANGE UPPER | 1 |
| 23 | DE_3736 | TIE BAR 2.75 LITRE COMPENSATOR | 4 |
| 24 | OR_152431 | O' RING 132.0 X 7.0 (BS431) | 2 |
| 25 | PA0078 | NUT M6 NYLOC SS A2-70 | 20 |
| 26 | PA0192 | BOLT M6 x 25 SHCS SS A2-70 | 4 |
| 27 | PA0546 | WASHER M6 FLAT BS4320 FORM B SS A2 | 36 |
| 28 | PA4815 | BOLT M6 x 50 SHCS SS A2-70 | 12 |
| 29 | PB2837 | VALVE RELIEF 50psi (1/4"NPT) | 1 |
| 30 | PB7913 | SEAL O-RING 84.3 x 5.7 | 1 |
| 31 | PC4025 | O' RING 18.77 OD x 1.78 SEC | 1 |
| 32 | PE1755 | SEAL O-RING 74.5 X 3.0 | 1 |

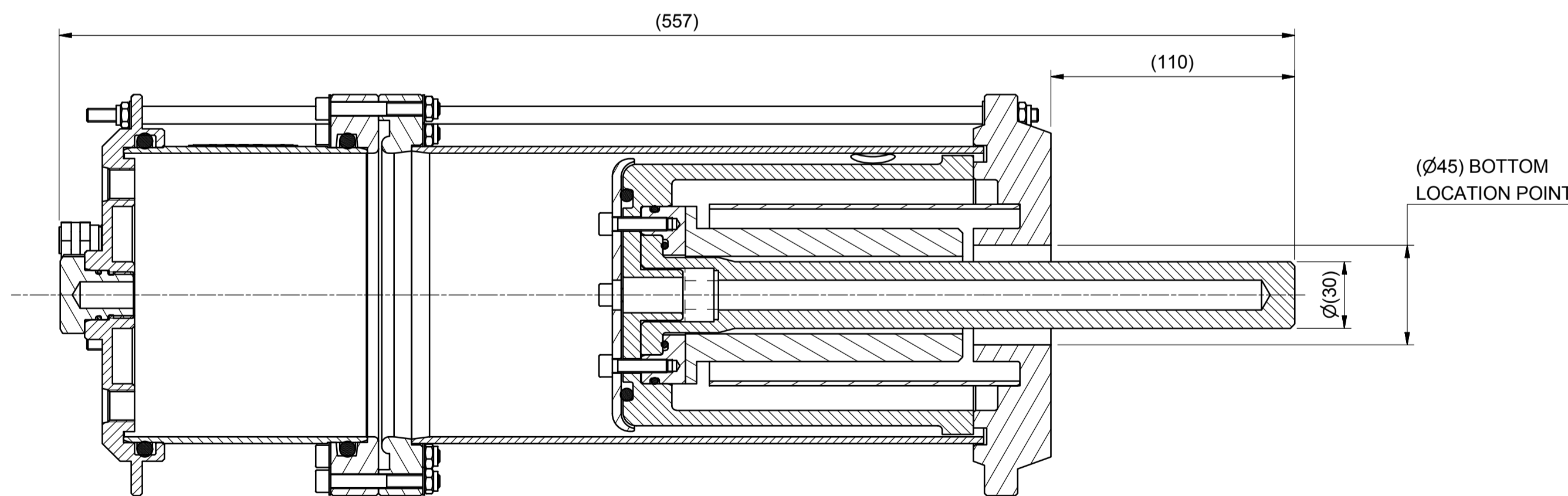
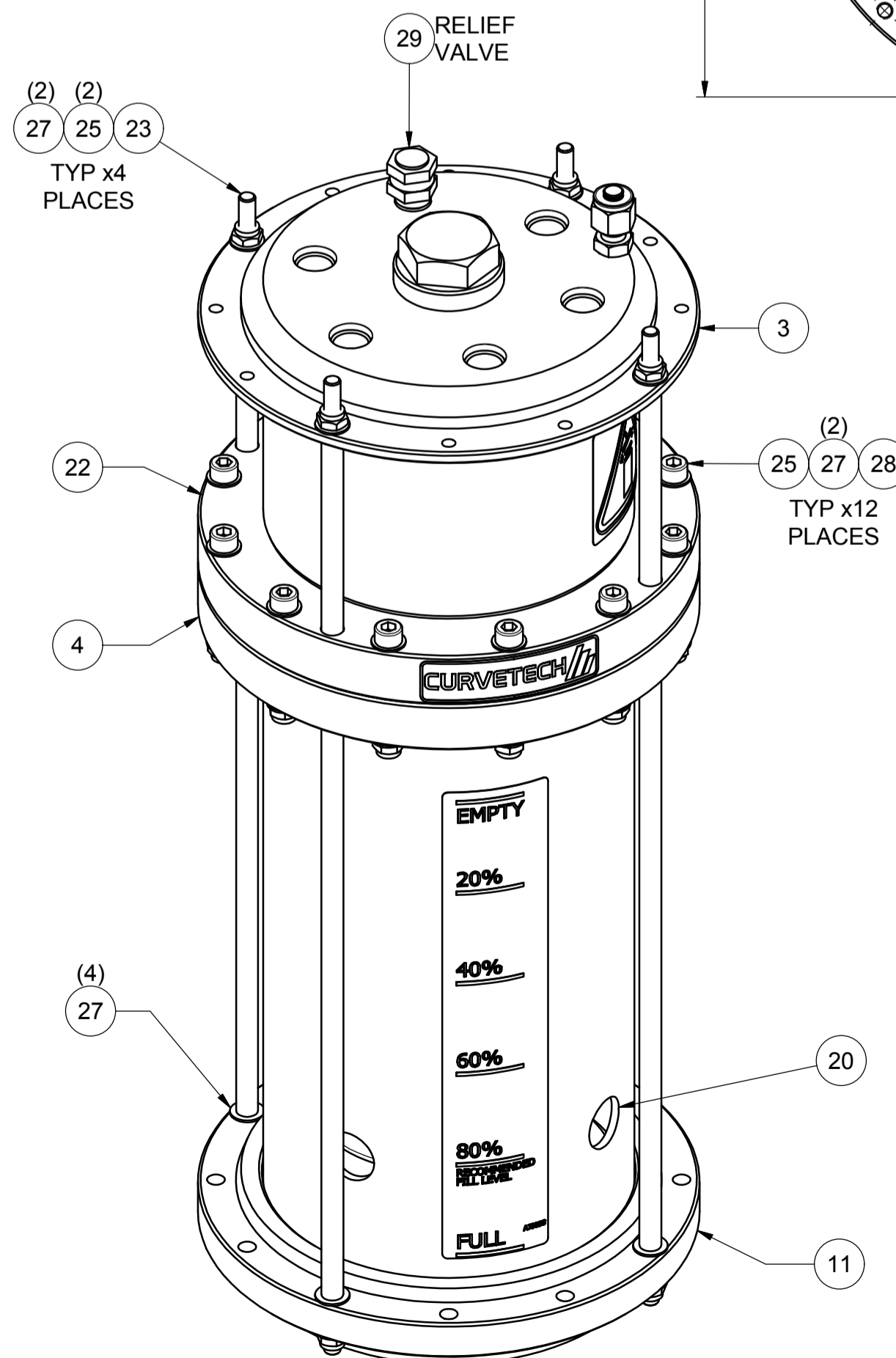
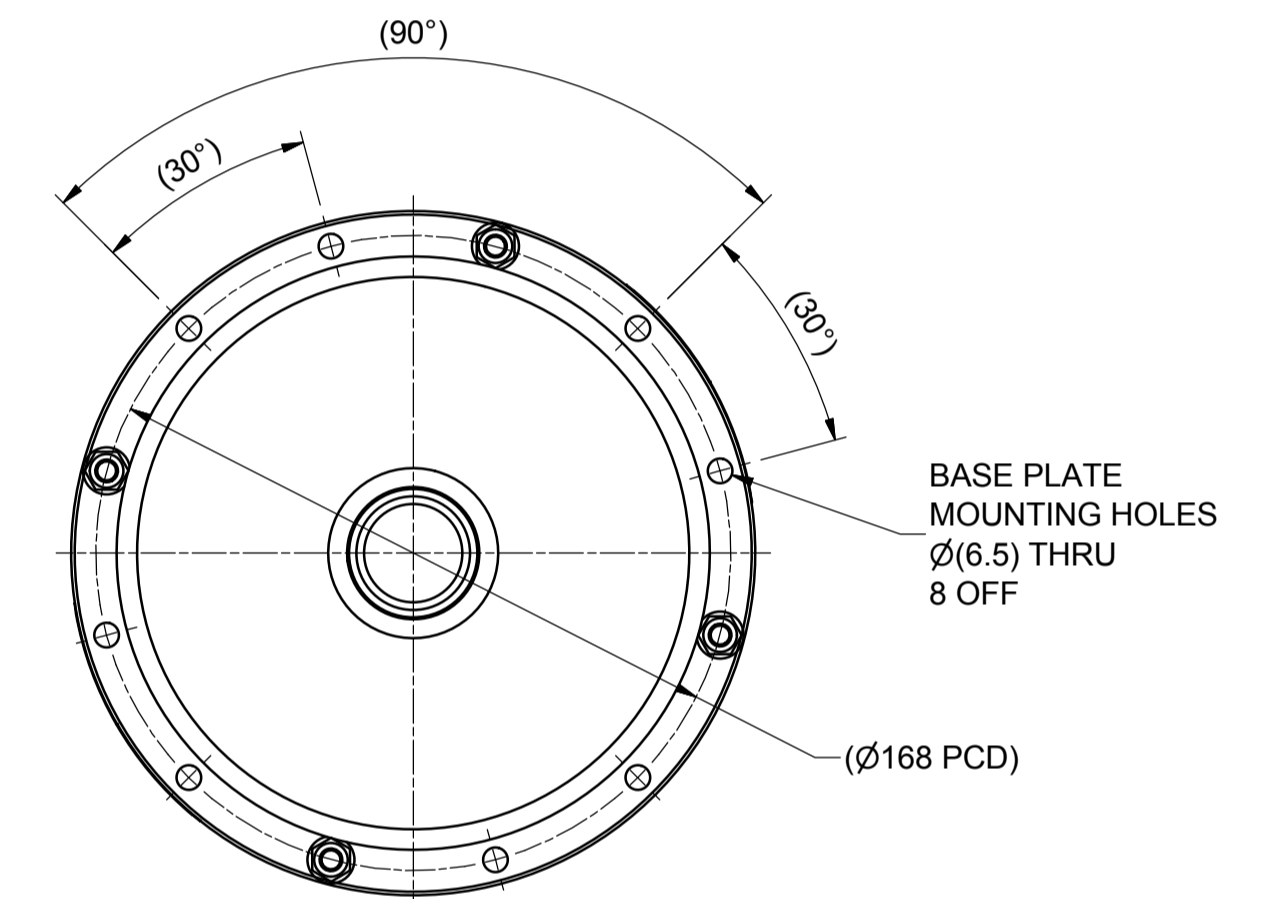
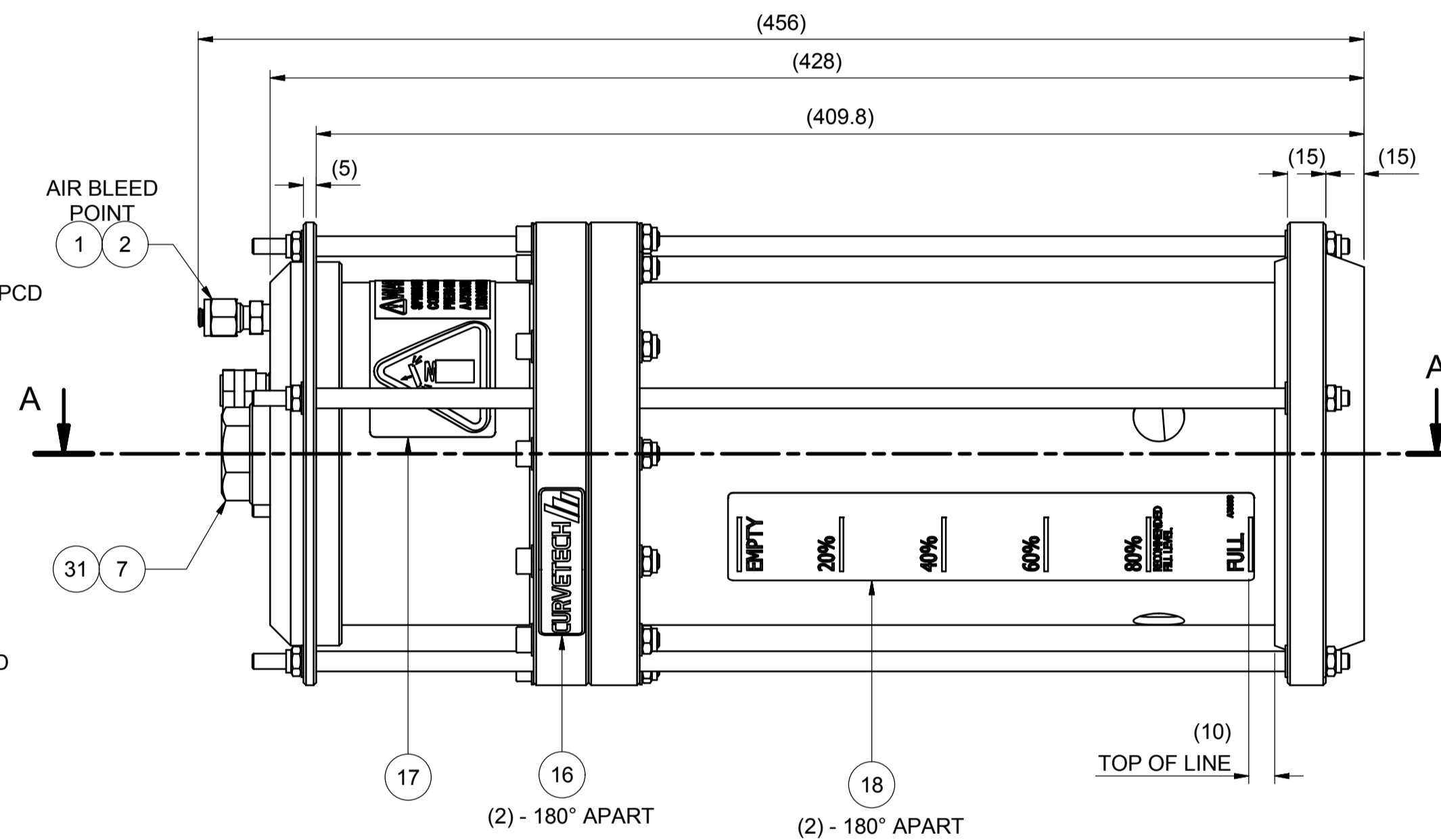
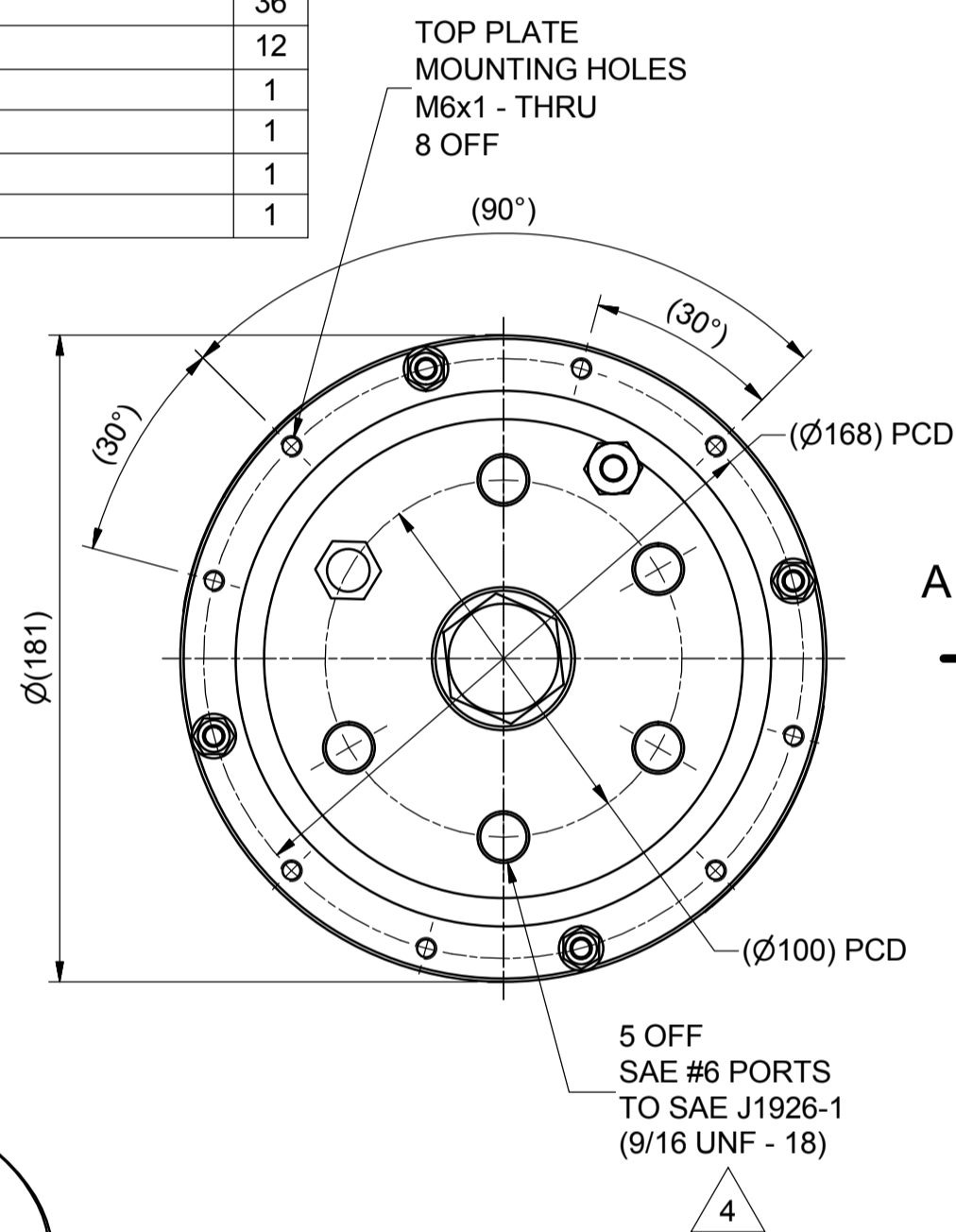


SECTION A-A



DETAIL B
SCALE: 1:1

WARNING ! DANGER OF INJURY.
CARE MUST BE TAKEN WHEN FITTING OR REMOVING SPRING.
A HYDRAULIC PRESS WITH RELEVANT SAFETY FEATURES OR SMD
COMPRESSION TOOL (AJ7395) SHOULD BE USED TO COMPRESS OR RELEASE THE SPRING.



SECTION VIEW
SHOWING COMPENSATOR FULL

| SPECIFICATION (ESTIMATE) | | |
|--------------------------|-----------------------|------------|
| WEIGHT | IN AIR | 11.2 kg |
| | IN WATER | 7.5 kg |
| | IN AIR WITH OIL | 13.5 kg |
| | IN SEA WATER WITH OIL | 7.0 kg |
| VOLUME | FULL | 2.75 Litre |
| | EMPTY | 0 Litre |
| PRESSURE | FULL | 2 bar |
| | EMPTY | 1 bar |

- NOTES :-
- ASSEMBLE IN ACCORDANCE WITH SMD SPECIFICATION W100.
 - APPLY MOLYKOTE GREASE ON 'O-RINGS' & APPLY AQUALUBE GREASE TO ALL THREADS.
 - BLANK ALL PORTS AFTER BUILD.
 - IF IN DOUBT PLEASE ASK.

| REV | DATE | CHANGE COMMENT | ZONE | DRAWN | CHECKED | APPD | DATE | EST. MASS | DIMENSIONS | SCALE | PROJECTION 3RD | TITLE |
|-----|-----------|--|------|-------|---------|------|-----------|-----------|------------|-------|----------------|--|
| 1 | 28 MAR 14 | INTERNAL SYSTEM UPDATE - NO PHYSICAL CHANGE | N/A | JCUR | JPG | JPG | 15 JAN 14 | 11 kg | mm | 1:2 | ☉ | ASSEMBLY COMPENSATOR 2.75L - 5xSAE#6 - 15-30 PSI - NO TRANSDUCER |
| 2 | 19 MAY 14 | ITEM PF7562 REPLACED BY PA0192 | B4 | LO | DAL | DAL | | | | | | |
| 3 | 22 AUG 16 | WASHERS ADDED. DECALS & SPEC TABLE ADDED. AJ9375 WAS DV_3008 | VAR | LO | PM | MvZ | | | | | | |
| 4 | 22 SEP 16 | THREAD DESIGNATION WAS INCORRECT - WAS 9/16 UNF-28. | C3 | LO | PM | MvZ | | | | | | |

| CHECKED | APPROVED | FABRICATION | DIMENSIONS mm | SCALE | PROJECTION 3RD | TITLE |
|---------|----------|---------------|-------------------------|-------|----------------|--|
| JPP | JPG | MACHINED PART | ± 1.0 ± 1.5 ± 2.0 ± 3.0 | 1:2 | ☉ | ASSEMBLY COMPENSATOR 2.75L - 5xSAE#6 - 15-30 PSI - NO TRANSDUCER |

| DRAWING No | REV No. | SIZE |
|------------|---------|------|
| EV_4003-36 | 4 | A1 |

SHEET 1 OF 1

ALL INTELLECTUAL PROPERTY RIGHTS SUBSISTING IN THESE DESIGNS ARE THE PROPERTY OF SOIL MACHINE DYNAMICS LTD.
NO COPY IS TO BE MADE WITHOUT THE WRITTEN PERMISSION OF SOIL MACHINE DYNAMICS LTD. ANY PATENT APPLICATIONS,
PATENTS AND / OR DESIGN APPLICATIONS, REGISTERED DESIGNS, DESIGN RIGHTS OR COPYRIGHT ARISING FROM OR CONTAINED IN THE
DESIGNS ARE THE PROPERTY OF SOIL MACHINE DYNAMICS LTD. AND ALL INFORMATION MUST BE HELD IN THE STRICTEST CONFIDENCE

SMD Soil Machine Dynamics Ltd