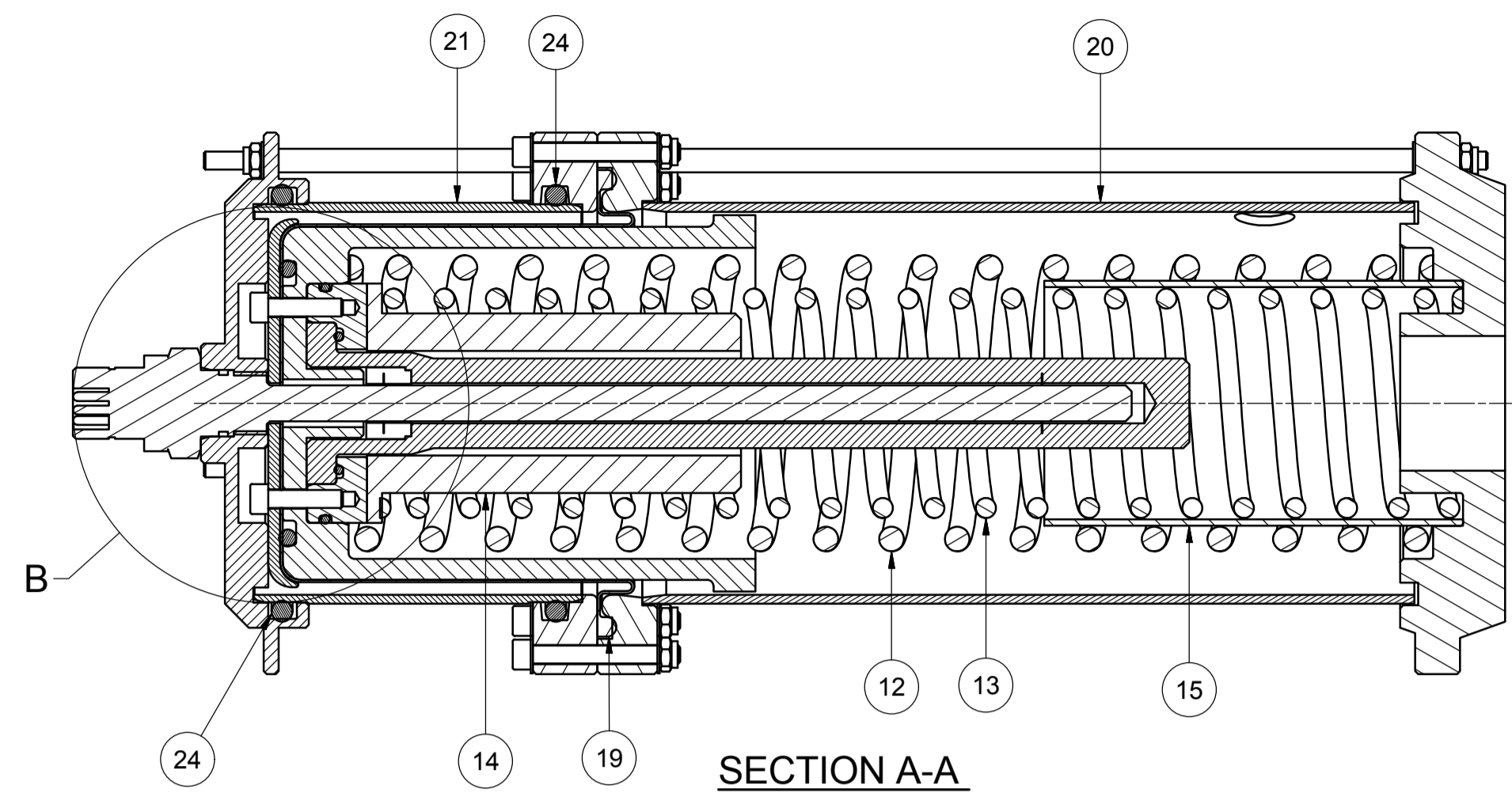
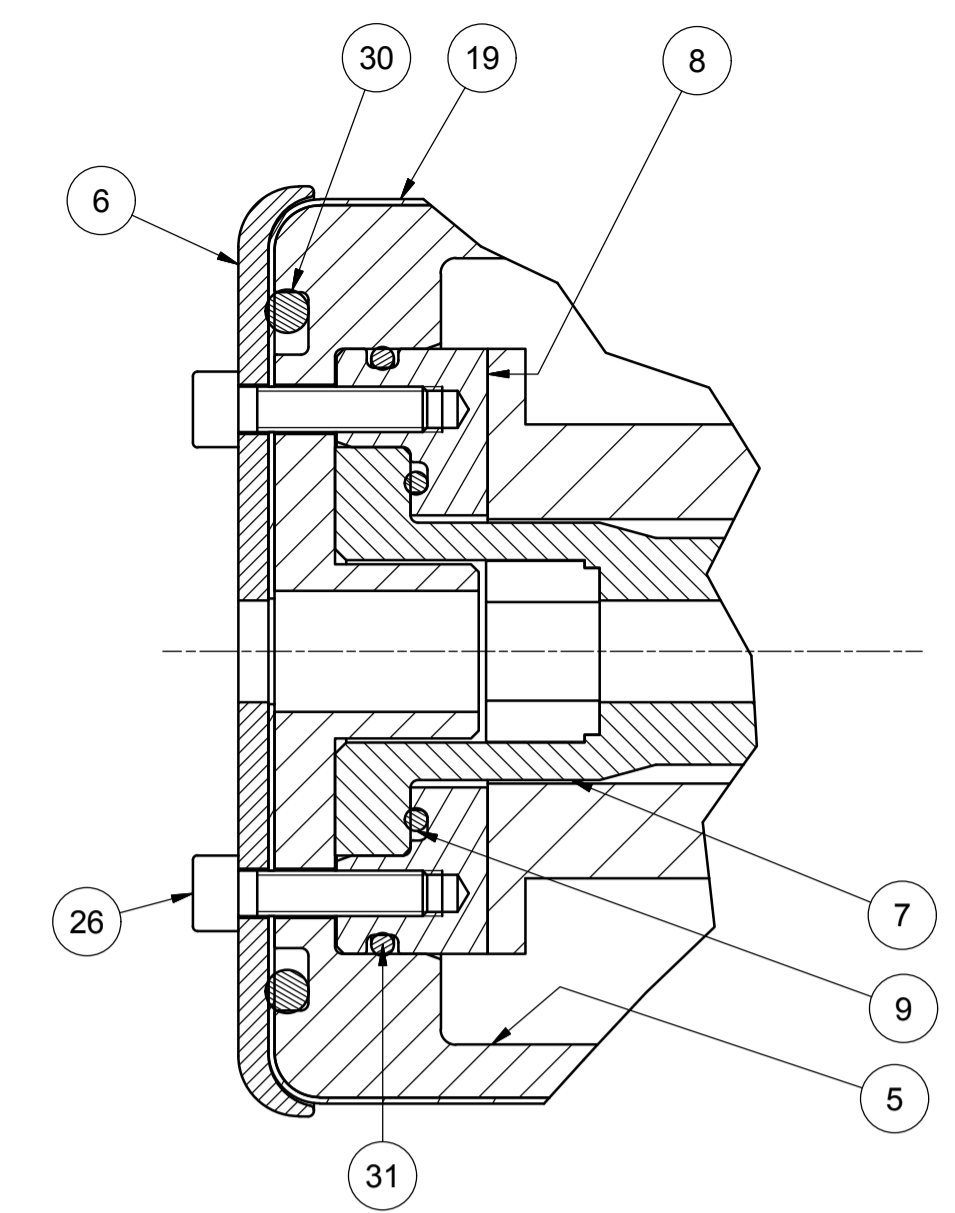


PARTS LIST

ITEM	PART NUMB	DESCRIPTION	QTY
1	AA3146	CONNECTOR MALE 1/8"NPT x 1/4" TUBE	1
2	AA3195	FITTING PLUG 1/4" SS A4 - SWAGelok SS-400-P	1
3	AC9721	TOP PLATE, 2.75L COMPENSATOR	1
4	AC9723	COUPLING FLANGE LOWER	1
5	AC9724	PISTON 2.75L COMPENSATOR	1
6	AC9727	RETAINER DIAPHRAGM 2.75L COMPENSATOR	1
7	AD0213	HOUSING TRANSDUCER	1
8	AD0293	CAP PLATE SENSOR HOUSING	1
9	AD0541	SEAL O-RING 41.5 x 3.0 NBR70	1
10	AD5734	SENSOR LJW 0220 N 0.3H S 1994	1
11	AF3623	PLATE 2.75 L COMPENSATOR BASE	1
12	AF3635	SPRING OUTER (2.75L COMP - 1-2BAR)	1
13	AF3637	SPRING INNER (2.75L COMP - 1-2 BAR)	1
14	AJ0001	COLLAR - INNER SPRING 2.75L COMP	1
15	AJ0002	SPACER COMP SPRING	1
16	AJ7205	LABEL CURVETECH LOGO (BLACK ON TRANSPARENT)	2
17	AJ7481	LABEL WARNING SPRING UNDER COMPRESSION	1
18	AJ8833	LABEL 2.75L & 6L COMPENSATOR LEVEL GAUGE	2
19	AJ9375	DIAPHRAGM 2.75L COMPENSATOR DV_3008 WITH MOUNTING HOLES	1
20	DE_2085	PISTON HOUSING BOTTOM	1
21	DE_2086	PRESSURE HOUSING TOP	1
22	DE_2088	COUPLING FLANGE UPPER	1
23	DE_3736	TIE BAR 2.75 LITRE COMPENSATOR	4
24	OR_152431	O' RING 132.0 X 7.0 (BS431)	2
25	PA0078	NUT M6 NYLOC SS A2-70	20
26	PA0192	BOLT M6 x 25 SHCS SS A2-70	4
27	PA0546	WASHER M6 FLAT BS4320 FORM B SS A2	36
28	PA4815	BOLT M6 x 50 SHCS SS A2-70	12
29	PB2837	VALVE RELIEF 50psi (1/4"NPT)	1
30	PB7913	SEAL O-RING 84.3 x 5.7	1
31	PE1755	SEAL O-RING 74.5 X 3.0	1

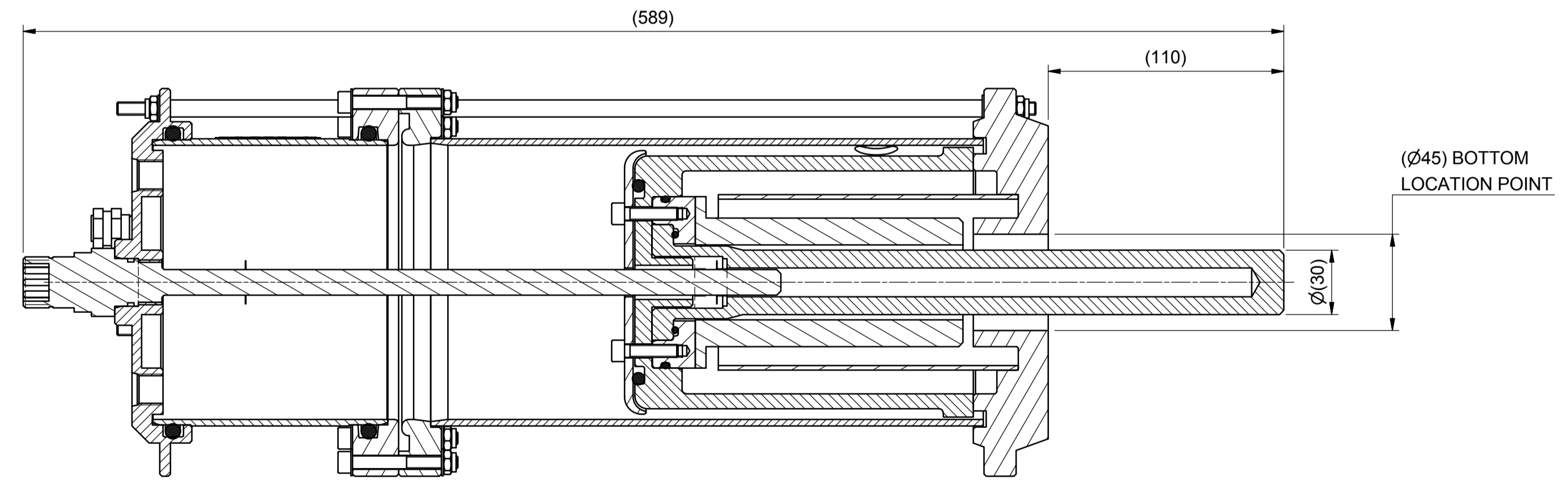
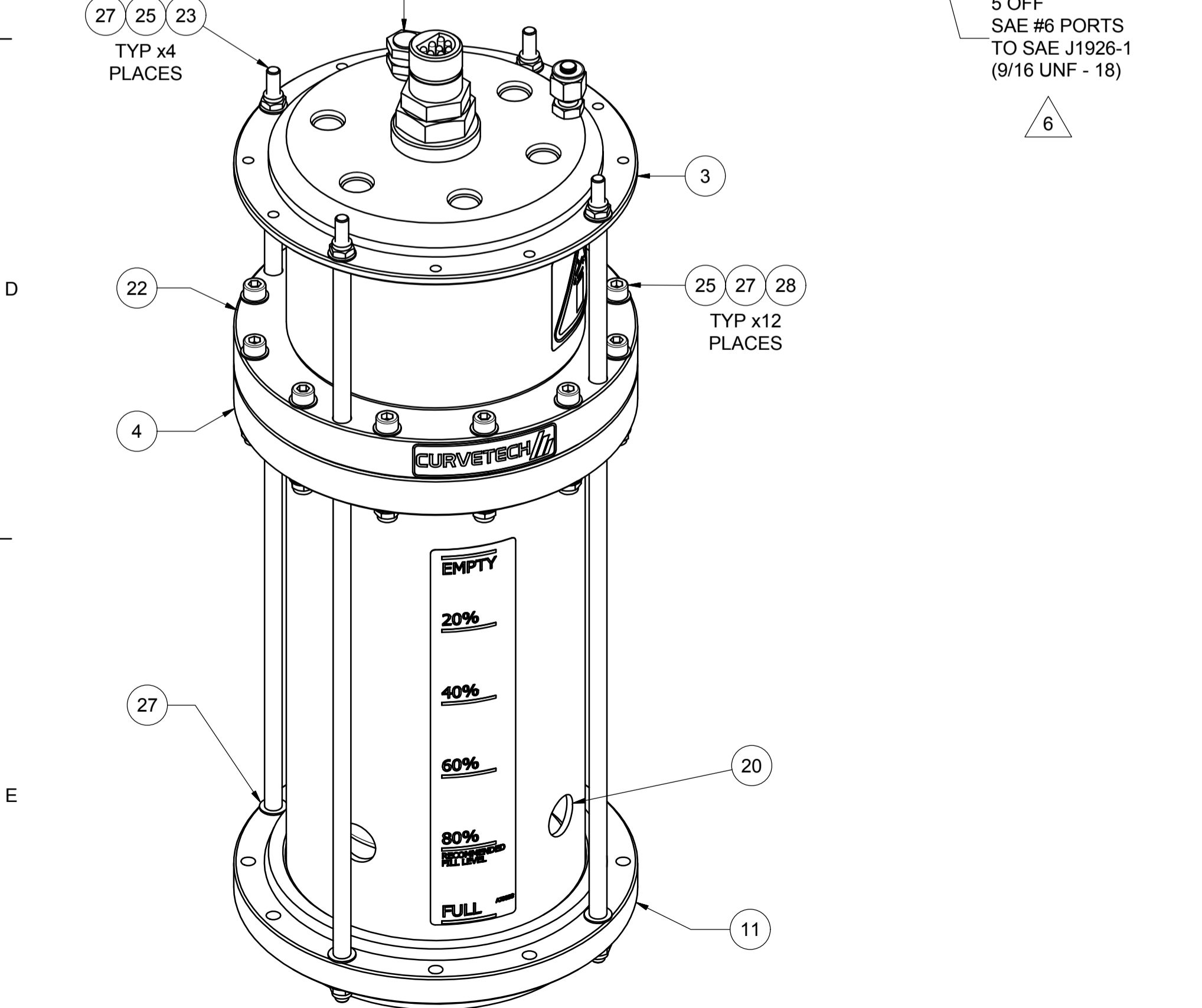
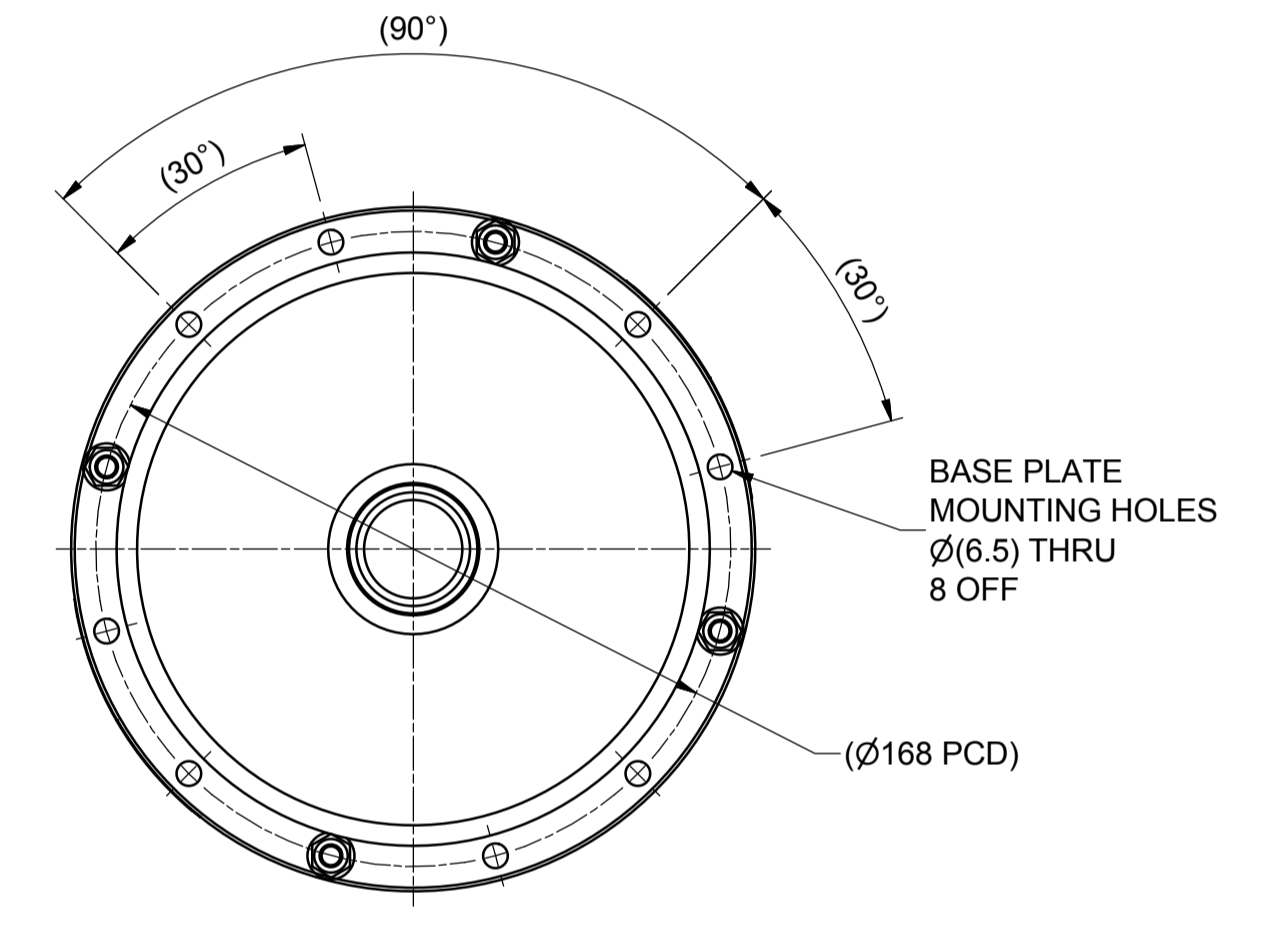
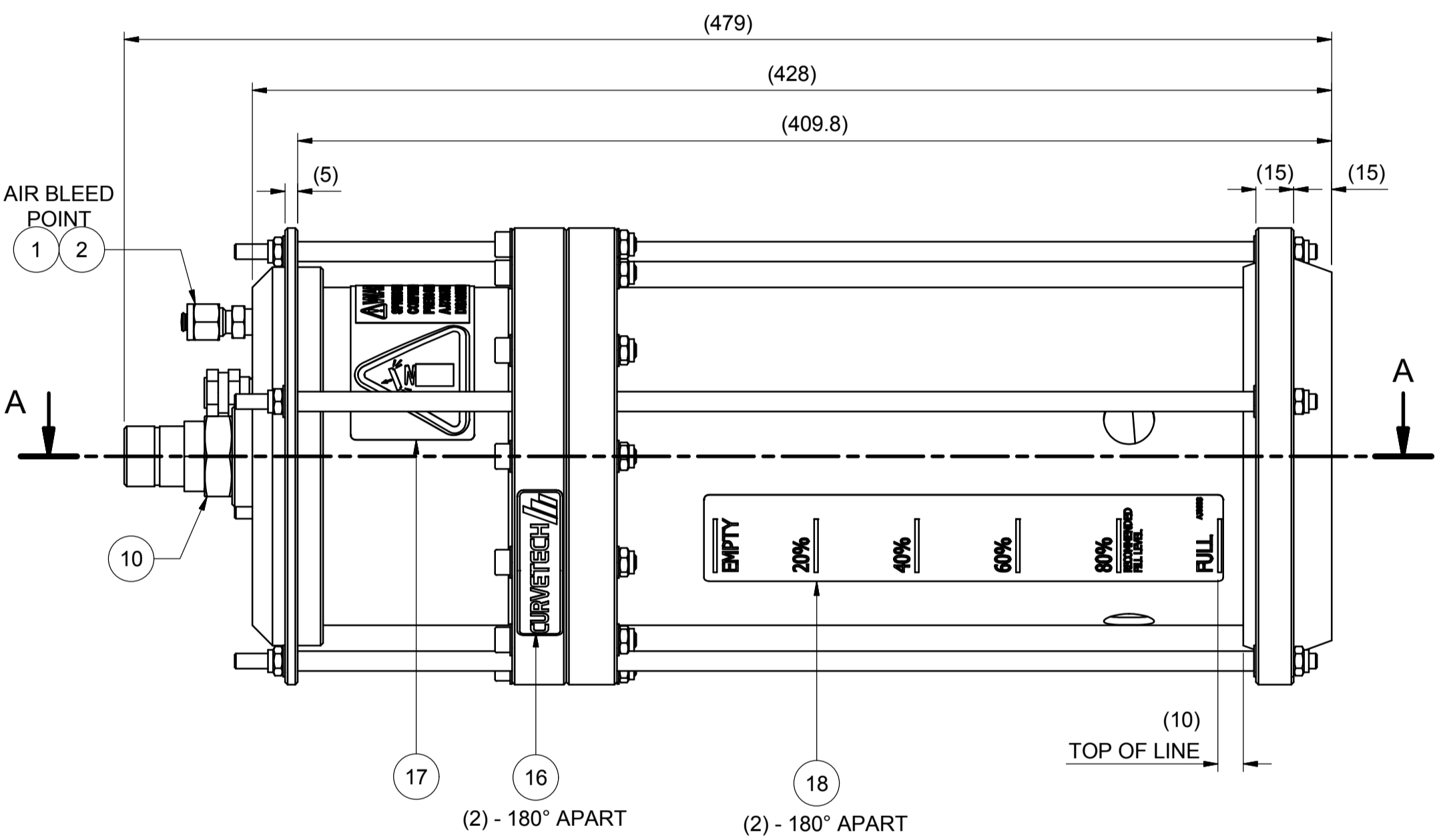
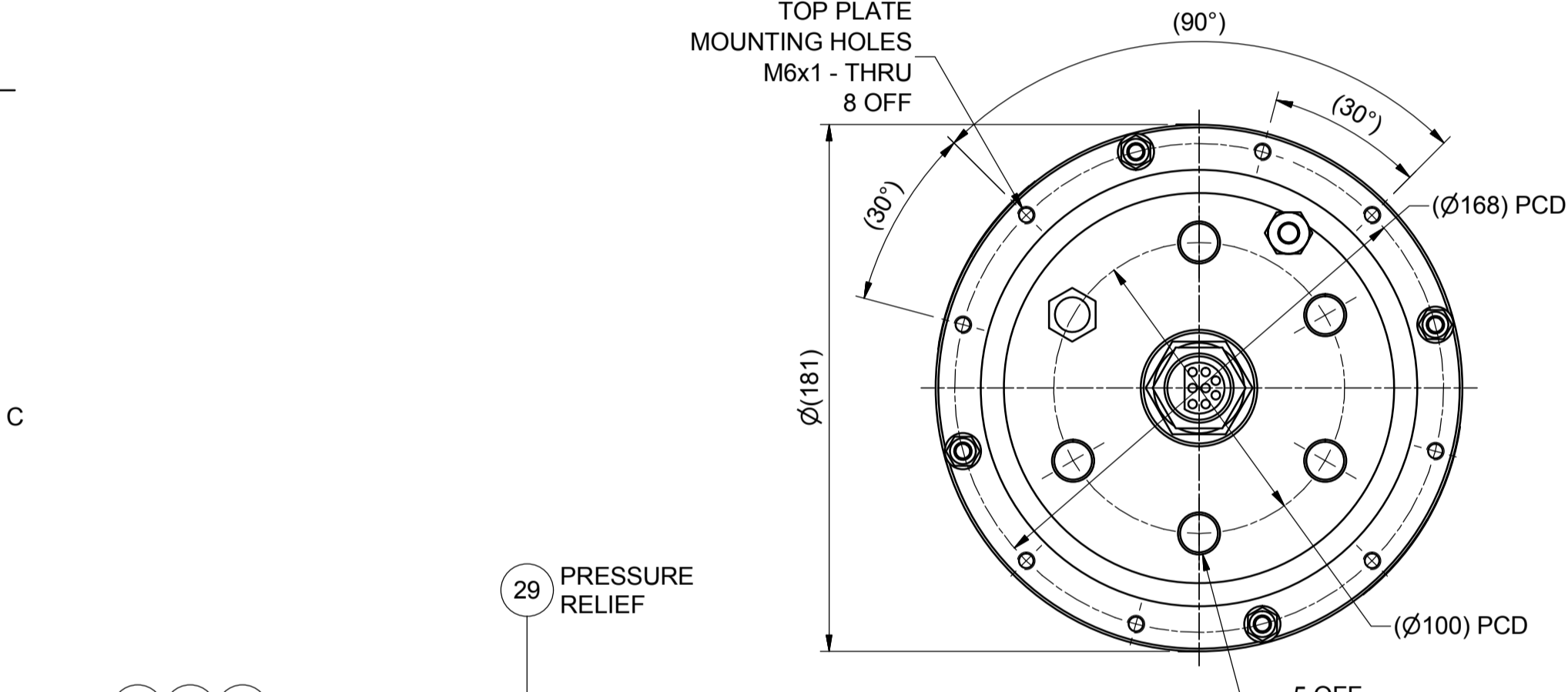


SECTION A-A



DETAIL B  
SCALE : 1:1

**WARNING ! DANGER OF INJURY.**  
CARE MUST BE TAKEN WHEN FITTING OR REMOVING SPRING.  
A HYDRAULIC PRESS WITH RELEVANT SAFETY FEATURES OR SMD  
COMPRESSION TOOL (AJ7395) SHOULD BE USED TO COMPRESS OR RELEASE THE SPRING.



SECTION VIEW  
SHOWING COMPENSATOR FULL

SPECIFICATION (ESTIMATE)		
WEIGHT	IN AIR	11.2 kg
	IN WATER	7.5 kg
	IN AIR WITH OIL	13.5 kg
	IN SEA WATER WITH OIL	7.0 kg
VOLUME	FULL	2.75 Litre
	EMPTY	0 Litre
PRESSURE	FULL	2 bar
	EMPTY	1 bar

TRANSDUCER - SEACON 5507-1508-004	
PIN	FUNCTION
1,2,3	NOT USED
4	INPUT (16.5 - 28V)
5	COMMON
6	NOT USED
7	SIGNAL (0.5 - 10V)
8	NOT USED

- NOTES :-
- ASSEMBLE IN ACCORDANCE WITH SMD SPECIFICATION W100.
  - APPLY MOLYKOTE GREASE ON 'O-RINGS' & APPLY AQUALUBE GREASE TO ALL THREADS.
  - BLANK ALL PORTS AFTER BUILD.
  - IF IN DOUBT PLEASE ASK.

REV	DATE	CHANGE COMMENT	ZONE	DRAWN	CHECKED	APPD	DATE	EST. MASS	DIMENSIONS	SCALE	PROJECTION 3RD	TITLE
2	11 SEP 13	ITEM PB2837 DESCRIPTION UPDATED (WAS 15 PSI)	C1	LO	REN	REN	20/01/12	11 kg	mm	1:2		ASSEMBLY COMPENSATOR 2.75L - 5xSAE#6 - 15-30 PSI - SEACON8 - 0-10V
3	01 APR 14	INTERNAL SYSTEM UPDATE - NO PHYSICAL CHANGE	N/A	JCUR	JPG	JPG						
4	19 MAY 14	ITEM PF7562 REPLACED BY PA0192	B4	LO	DAL	DAL						
5	22 AUG 16	WASHERS ADDED. DECALS & SPEC TABLE ADDED. AJ9375 WAS DV_3008.	VAR	LO	PM	MvZ						
6	21 SEP 16	THREAD DESIGNATION WAS INCORRECT - WAS 9/16 UNF-28.	C3	LO	PM	MvZ						

TOLERANCES UNLESS OTHERWISE STATED	MATERIAL:-	DO NOT SCALE	DRAWING No	REV No.	SIZE
UP TO 100	N/A	IF IN DOUBT ASK	EV_4003-35	6	A1
100 TO 300					
300 TO 1000					
OVER 1000					
FABRICATION					
MACHINED PART					

ALL INTELLECTUAL PROPERTY RIGHTS SUBSISTING IN THESE DESIGNS ARE THE PROPERTY OF SOIL MACHINE DYNAMICS LTD.  
NO COPY IS TO BE MADE WITHOUT THE WRITTEN PERMISSION OF SOIL MACHINE DYNAMICS LTD. ANY PATENT APPLICATIONS,  
PATENTS AND / OR DESIGN APPLICATIONS, REGISTERED DESIGNS, DESIGN RIGHTS OR COPYRIGHT ARISING FROM OR CONTAINED IN THE  
DESIGNS ARE THE PROPERTY OF SOIL MACHINE DYNAMICS LTD. AND ALL INFORMATION MUST BE HELD IN THE STRICTEST CONFIDENCE

**SMD** Soil Machine Dynamics Ltd

SHEET 1 OF 1