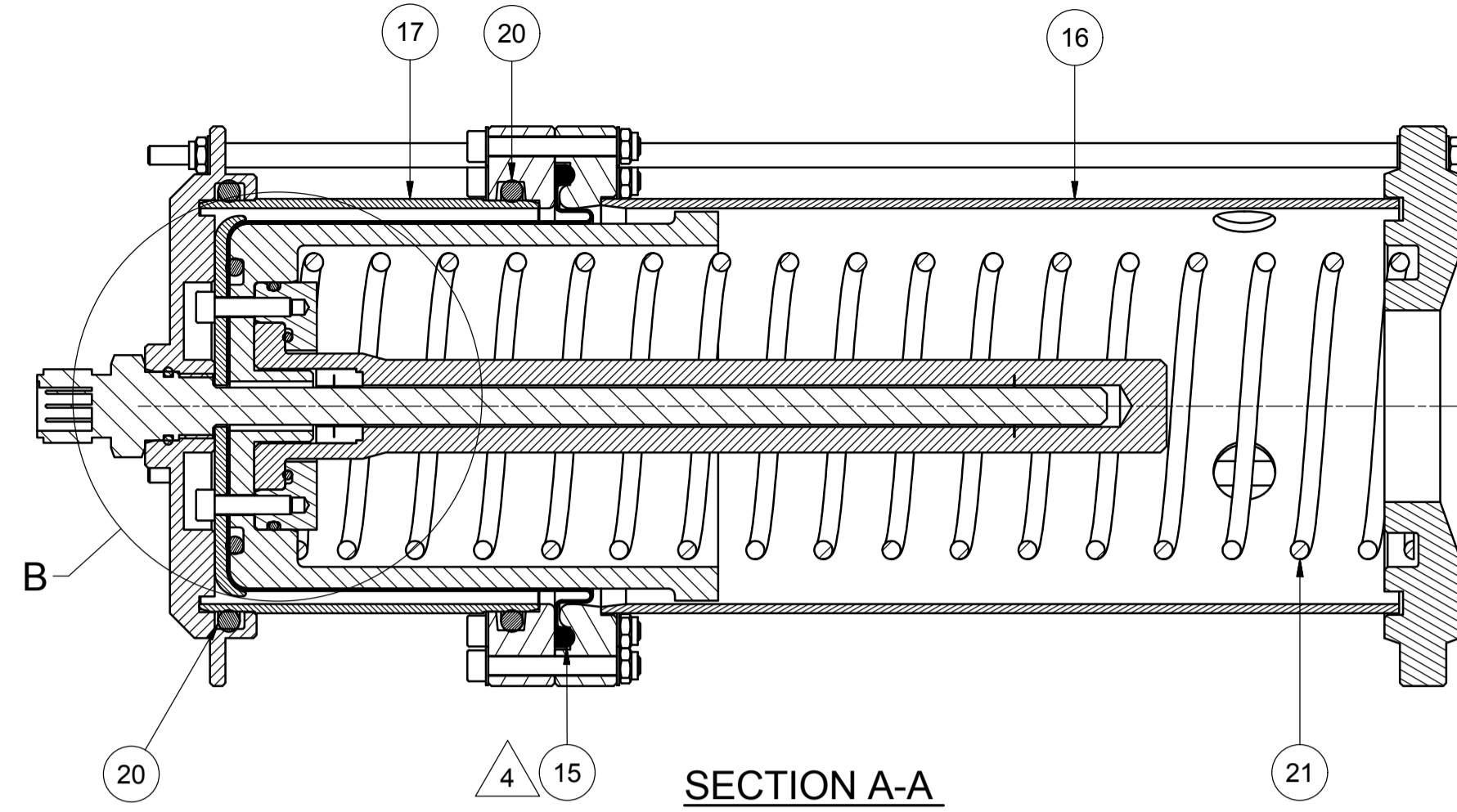
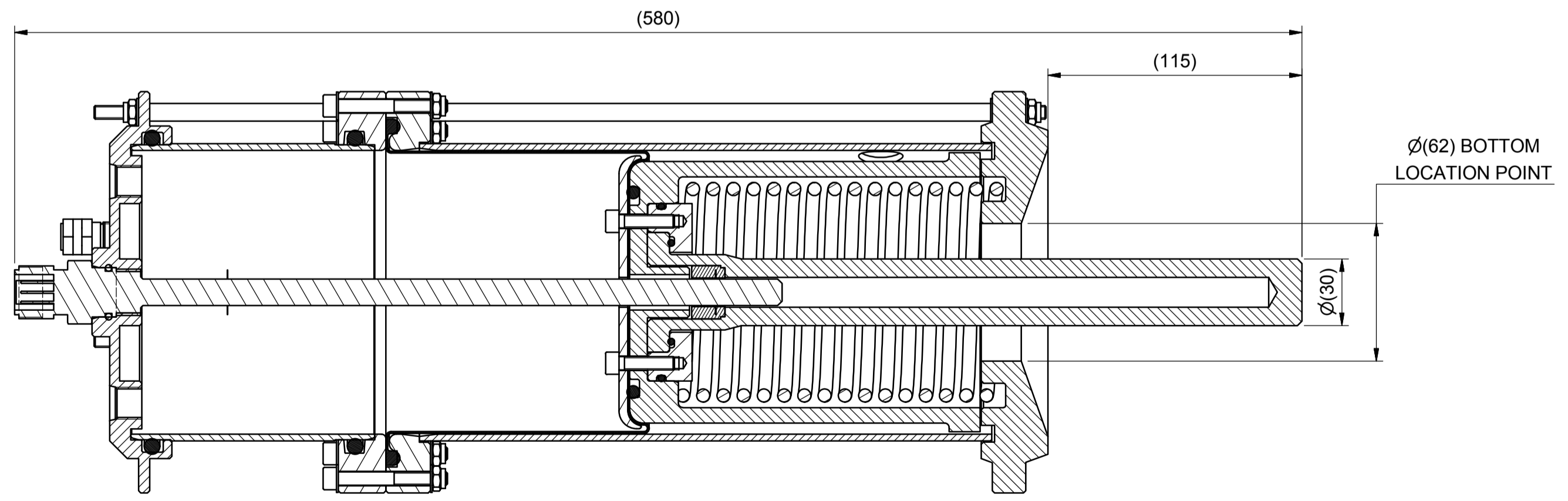
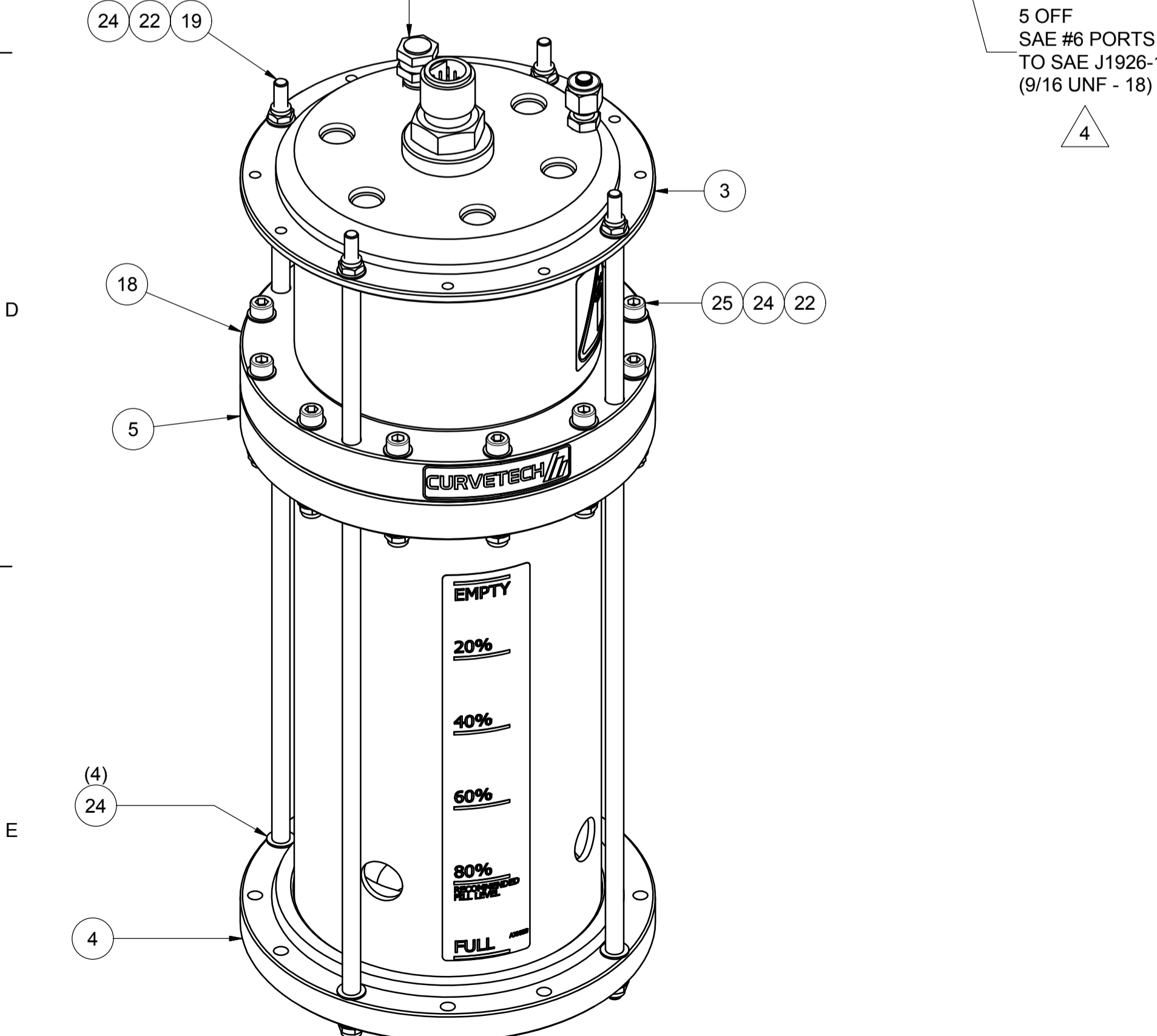
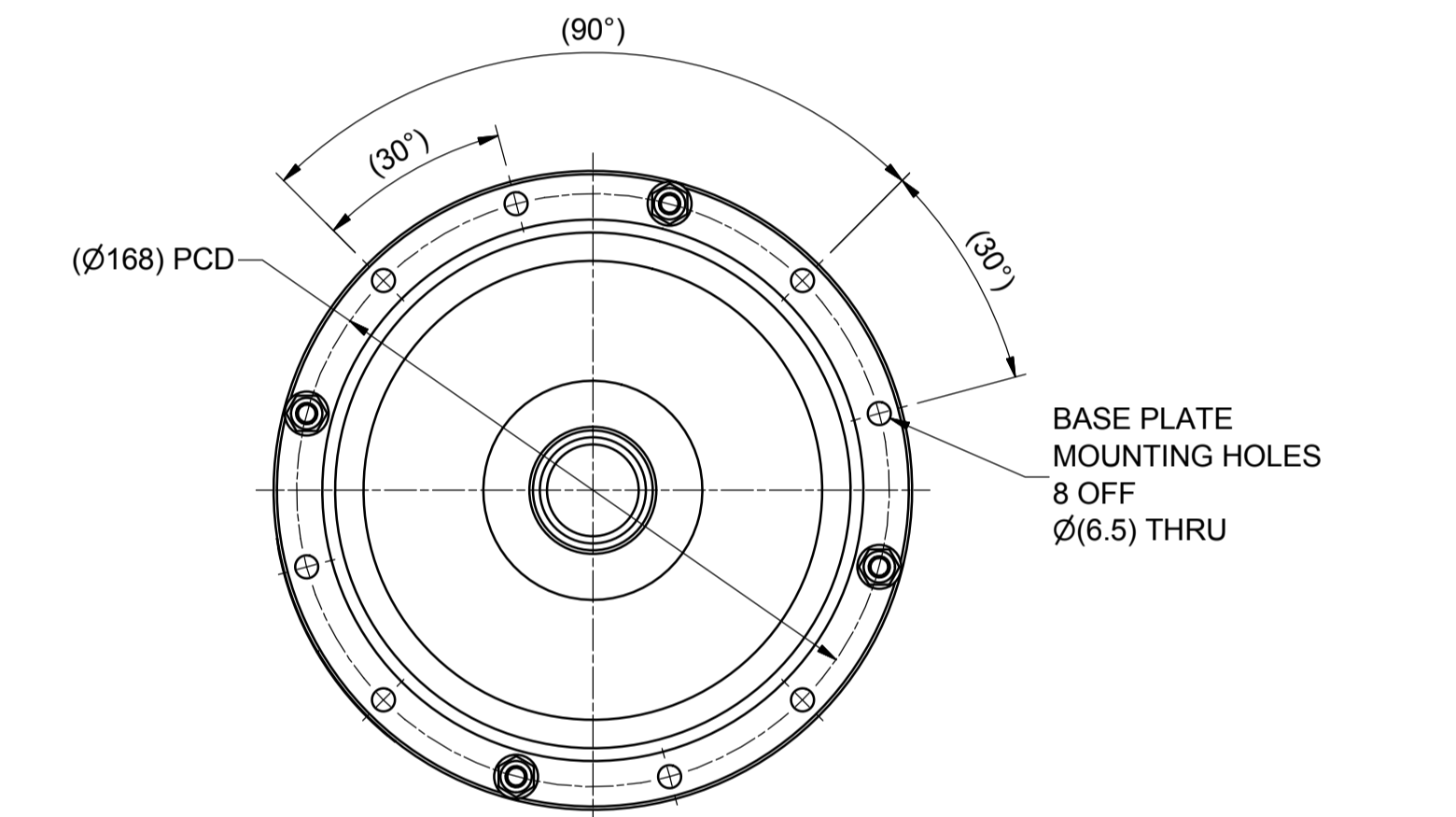
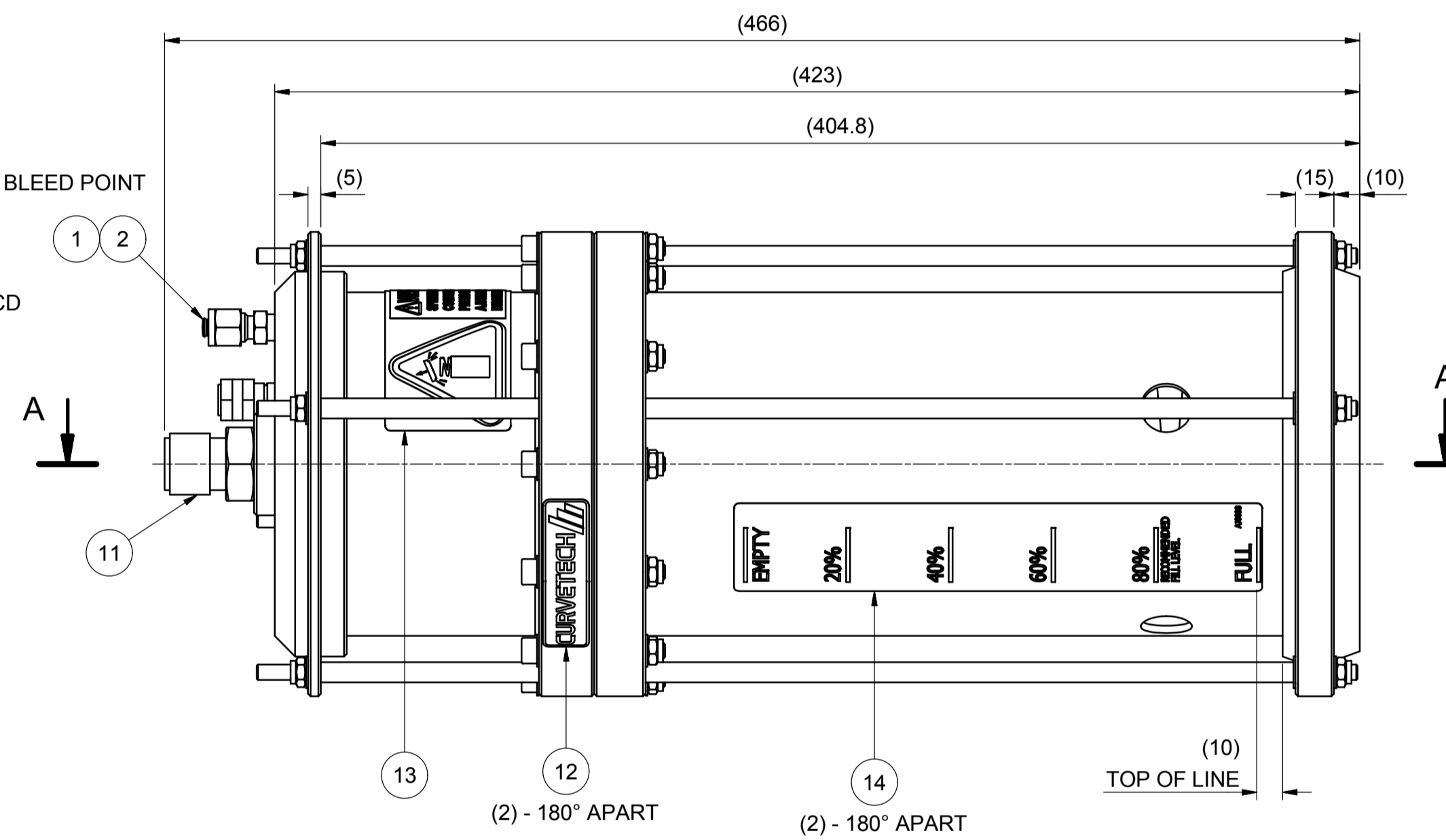
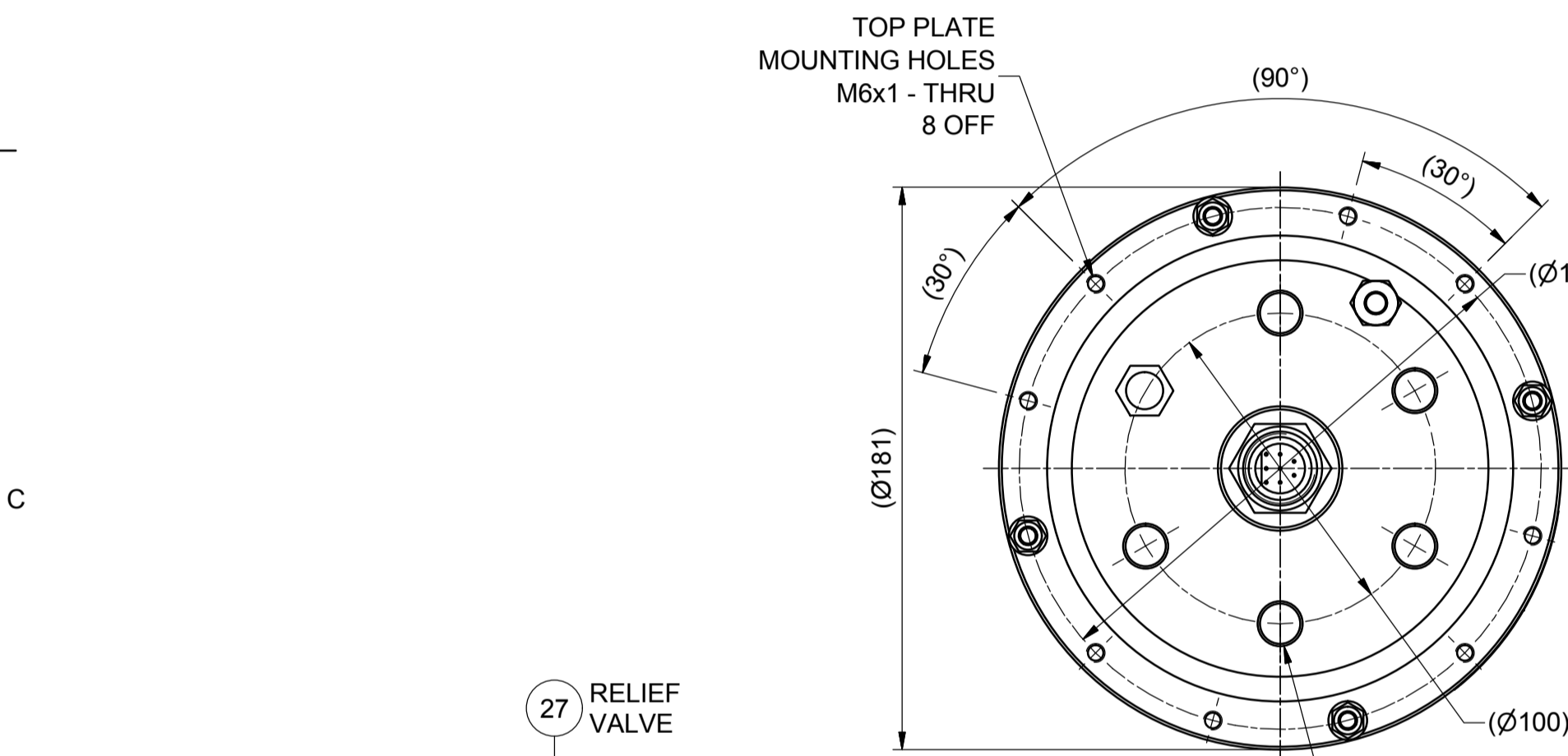
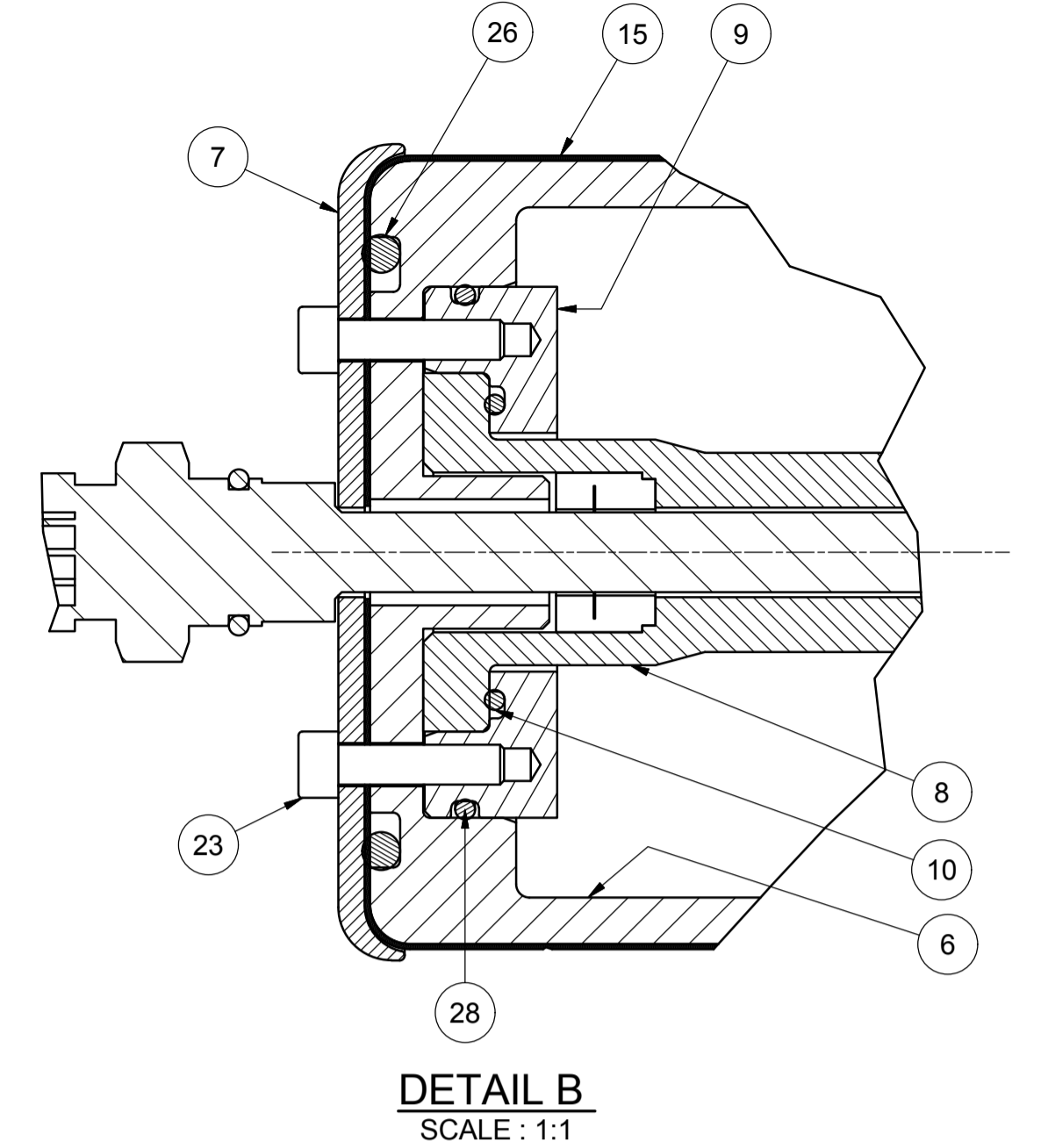


PARTS LIST			
ITEM	PART NUMB	DESCRIPTION	QTY
1	AA3146	CONNECTOR MALE 1/8"NPT x 1/4" TUBE	1
2	AA3195	FITTING PLUG 1/4" SS A4 - SWAGelok SS-400-P	1
3	AC9721	TOP PLATE, 2.75L COMPENSATOR	1
4	AC9722	BASEPLATE 2.75 L COMP	1
5	AC9723	COUPLING FLANGE LOWER	1
6	AC9724	PISTON 2.75L COMPENSATOR	1
7	AC9727	RETAINER DIAPHRAGM 2.75L COMPENSATOR	1
8	AD0213	HOUSING TRANSDUCER	1
9	AD0293	CAP PLATE SENSOR HOUSING	1
10	AD0541	SEAL O-RING 41.5 x 3.0 NBR70	1
11	AF0151	SENSOR LJW 0220 N 0.3H S 1994, C/W BURTON 5507 1508	1
12	AJ7205	LABEL CURVETECH LOGO (BLACK ON TRANSPARENT)	1
13	AJ7481	LABEL WARNING SPRING UNDER COMPRESSION	1
14	AJ8833	LABEL 2.75L & 6L COMPENSATOR LEVEL GAUGE	2
15	AJ9375	DIAPHRAGM 2.75L COMPENSATOR DV_3008 WITH MOUNTING HOLES	1
16	DE_2085	PISTON HOUSING BOTTOM	1
17	DE_2086	PRESSURE HOUSING TOP	1
18	DE_2088	COUPLING FLANGE UPPER	1
19	DE_3736	TIE BAR 2.75 LITRE COMPENSATOR	4
20	OR_152431	O' RING 132.0 X 7.0 (BS431)	2
21	OV_4732	SPRING TYPE 'B' 2.75 COMPENSATOR	1
22	PA0078	NUT M6 NYLOC SS A2-70	20
23	PA0192	BOLT M6 x 25 SHCS SS A2-70	4
24	PA0546	WASHER M6 FLAT BS4320 FORM B SS A2	36
25	PA4815	BOLT M6 x 50 SHCS SS A2-70	12
26	PB7913	SEAL O-RING 84.3 x 5.7	1
27	PD8370	VALVE RELIEF 15psi (1/4"NPT)	1
28	PE1755	SEAL O-RING 74.5 X 3.0	1



WARNING ! DANGER OF INJURY.
 CARE MUST BE TAKEN WHEN FITTING OR REMOVING SPRING.
 A HYDRAULIC PRESS WITH RELEVANT SAFETY FEATURES OR SMD
 COMPRESSION TOOL (AJ7395) SHOULD BE USED TO COMPRESS OR RELEASE THE SPRING.



SPECIFICATION (ESTIMATE)		
WEIGHT	IN AIR	8.2 kg
	IN WATER	5.4 kg
	IN AIR WITH OIL	10.5 kg
	IN SEA WATER WITH OIL	4.9 kg
VOLUME	FULL	2.75 Litres
	EMPTY	0 Litres
PRESSURE	FULL	0.3 bar
	EMPTY	0.15 bar

TRANSDUCER - BURTON 5507 - 1508	
PIN	FUNCTION
1,2,3	NOT USED
4	INPUT (16.5 - 28V)
5	COMMON
6	NOT USED
7	SIGNAL (0.5 - 10V)
8	NOT USED

- NOTES :-
- ASSEMBLE IN ACCORDANCE WITH SMD SPECIFICATION W100.
 - APPLY MOLYKOTE GREASE ON 'O-RINGS' & APPLY AQUALUBE GREASE TO ALL THREADS.
 - BLANK ALL PORTS AFTER BUILD.
 - IF IN DOUBT PLEASE ASK.

REV	DATE	CHANGE COMMENT	ZONE	DRAWN	CHECKED	APPD	DATE	EST. MASS	DIMENSIONS	SCALE	PROJECTION 3RD	TITLE
1	01 APR 14	INTERNAL SYSTEM UPDATE - NO PHYSICAL CHANGE	N/A	JCUR	JPG	JPG	28/10/11	8 kg	mm	1:2	☐	ASSEMBLY COMPENSATOR 2.75L - 5XSAE#6 - 2.5-5PSI - BURTON8 - 0-10V
2	19 MAY 14	ITEM PF7562 REPLACED BY PA0192	B4	LO	DAL	DAL						
3	08 MAR 16	WASHERS ADDED. DECALS & SPEC TABLE ADDED.	E1	LO	PM	MvZ						
4	22 SEP 16	AJ9375 REPLACES DV_3008. THREAD DESIGNATION WAS INCORRECT - WAS 9/16 UNF-28.	VAR	LO	PM	MvZ						

DESIGNED	DRAWN	TOLERANCES UNLESS OTHERWISE STATED	MATERIAL:-
HPR	TOB	UP TO 100 ±1.0	N/A
		100 TO 300 ±1.5	
		300 TO 1000 ±2.0	
		OVER 1000 ±3.0	
CHECKED	APPROVED	FABRICATION	DO NOT SCALE
PIB	JPG	±0.15	IF IN DOUBT ASK
		±0.4	
		±0.8	
		±1.0	

DRAWING No	REV No.	SIZE
EV_4003-31	4	A1

SHEET 1 OF 1