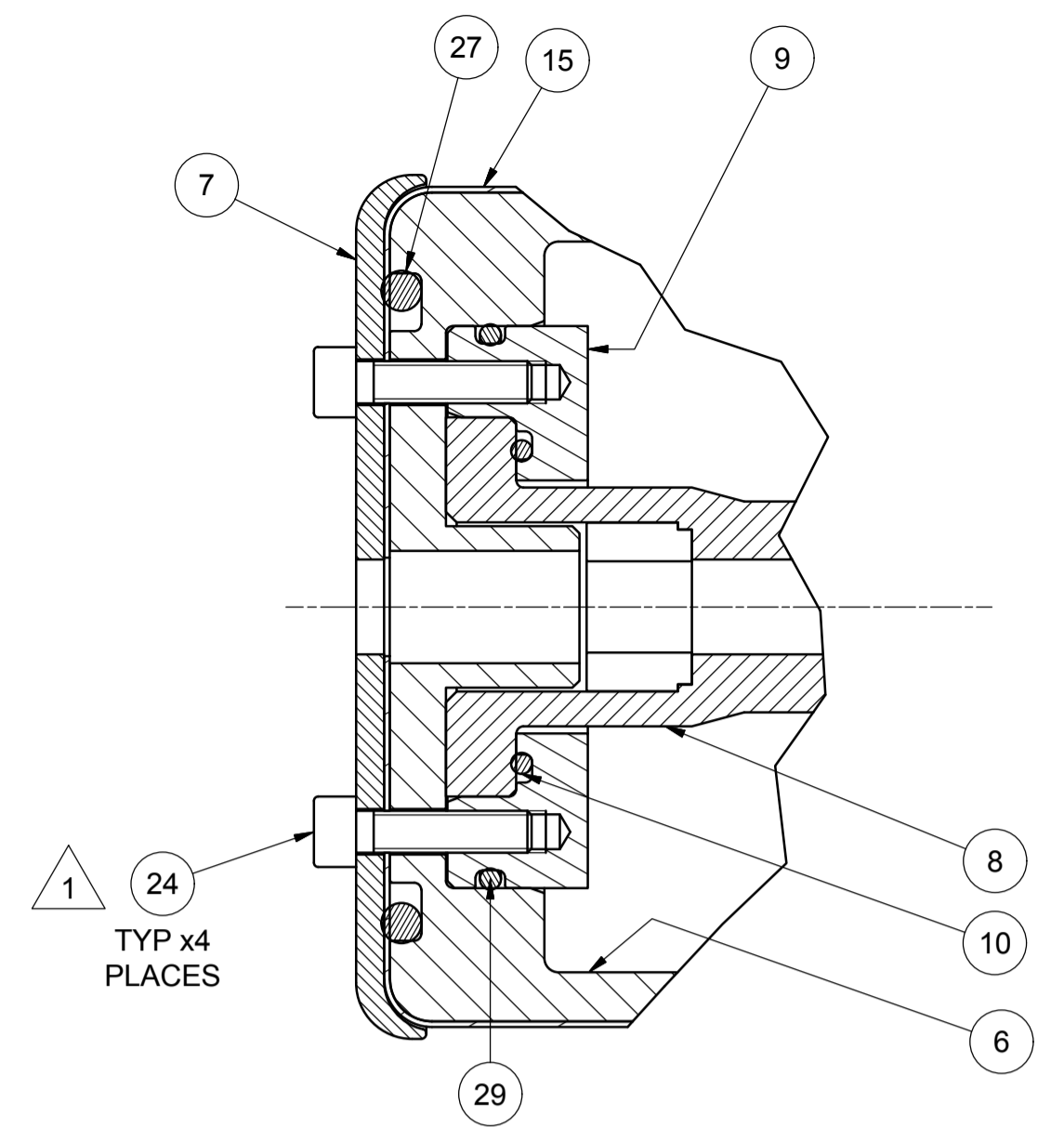
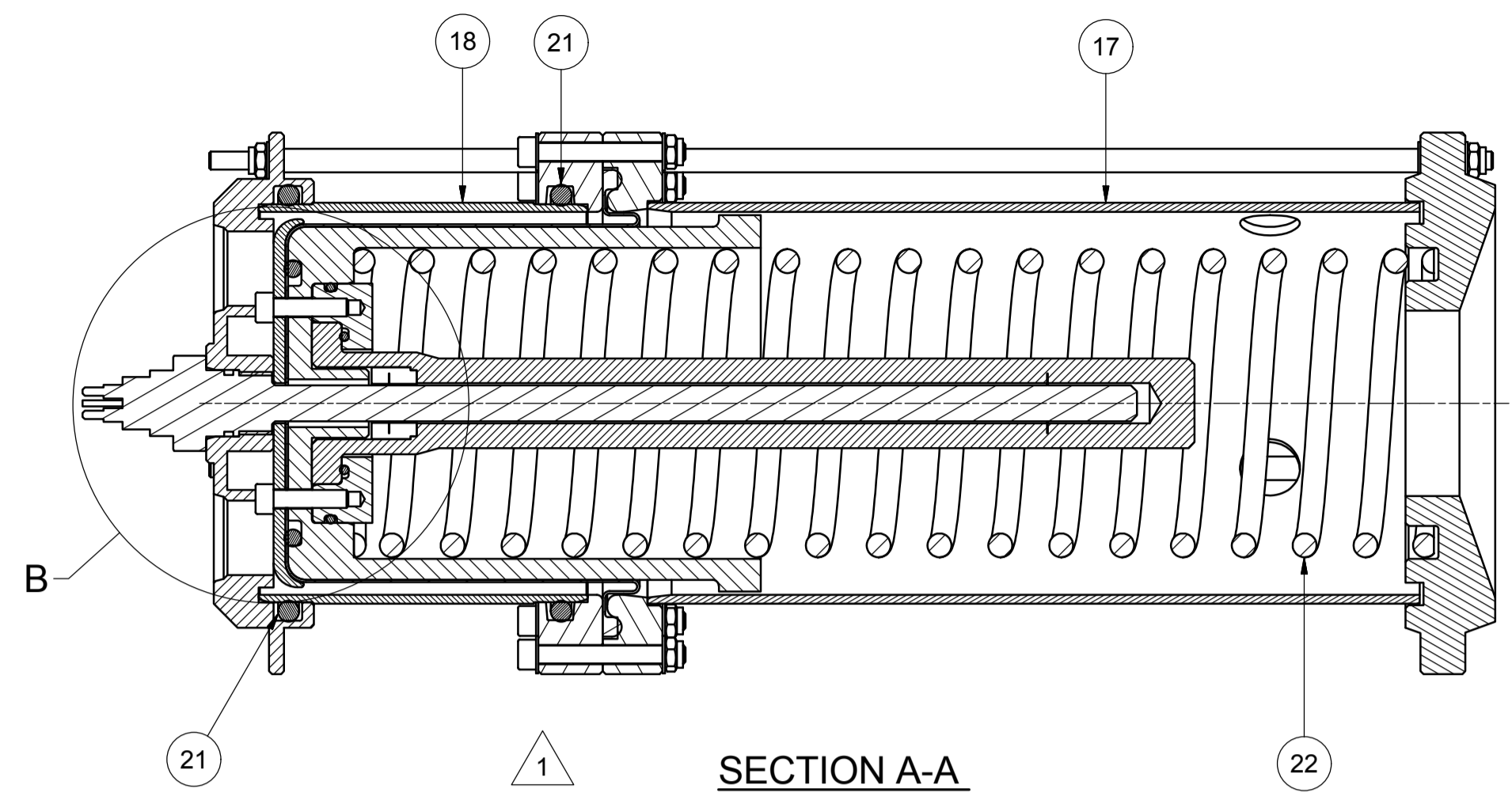
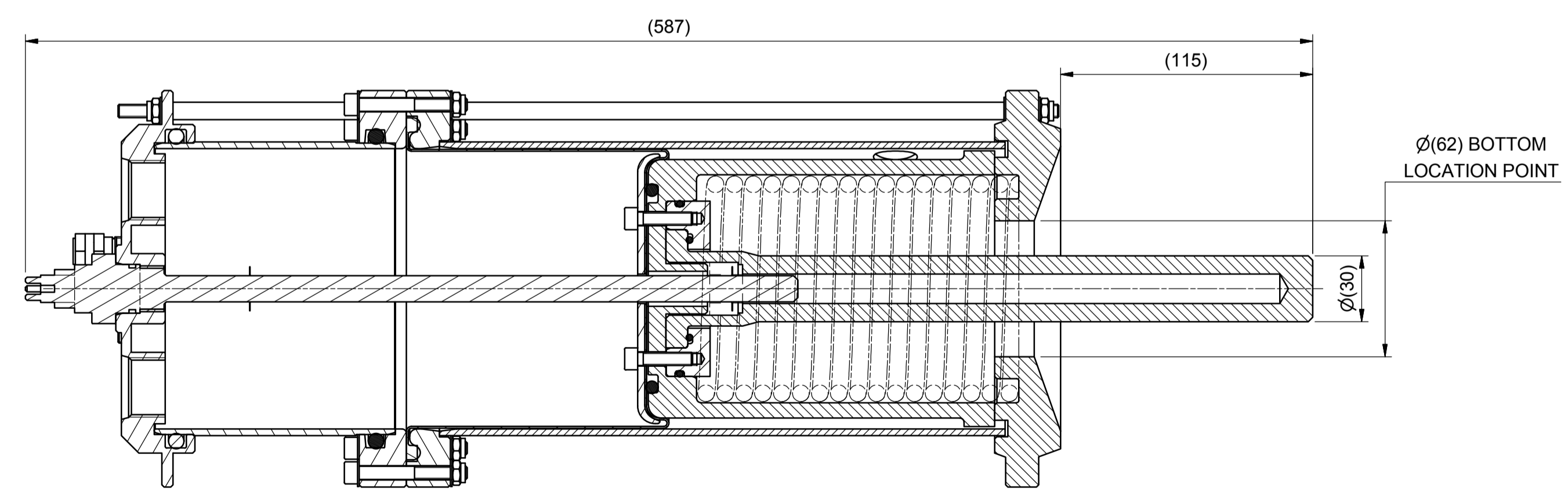
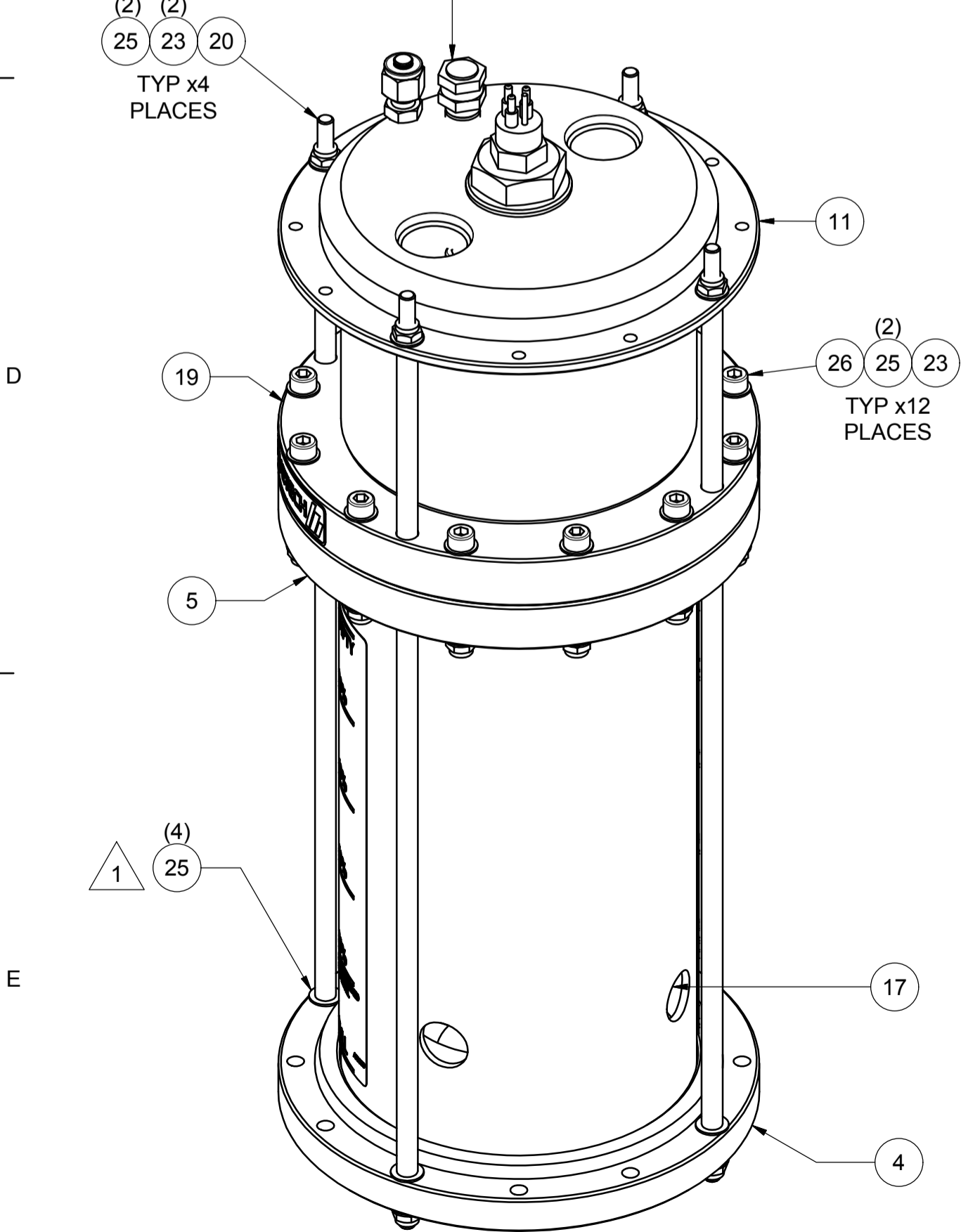
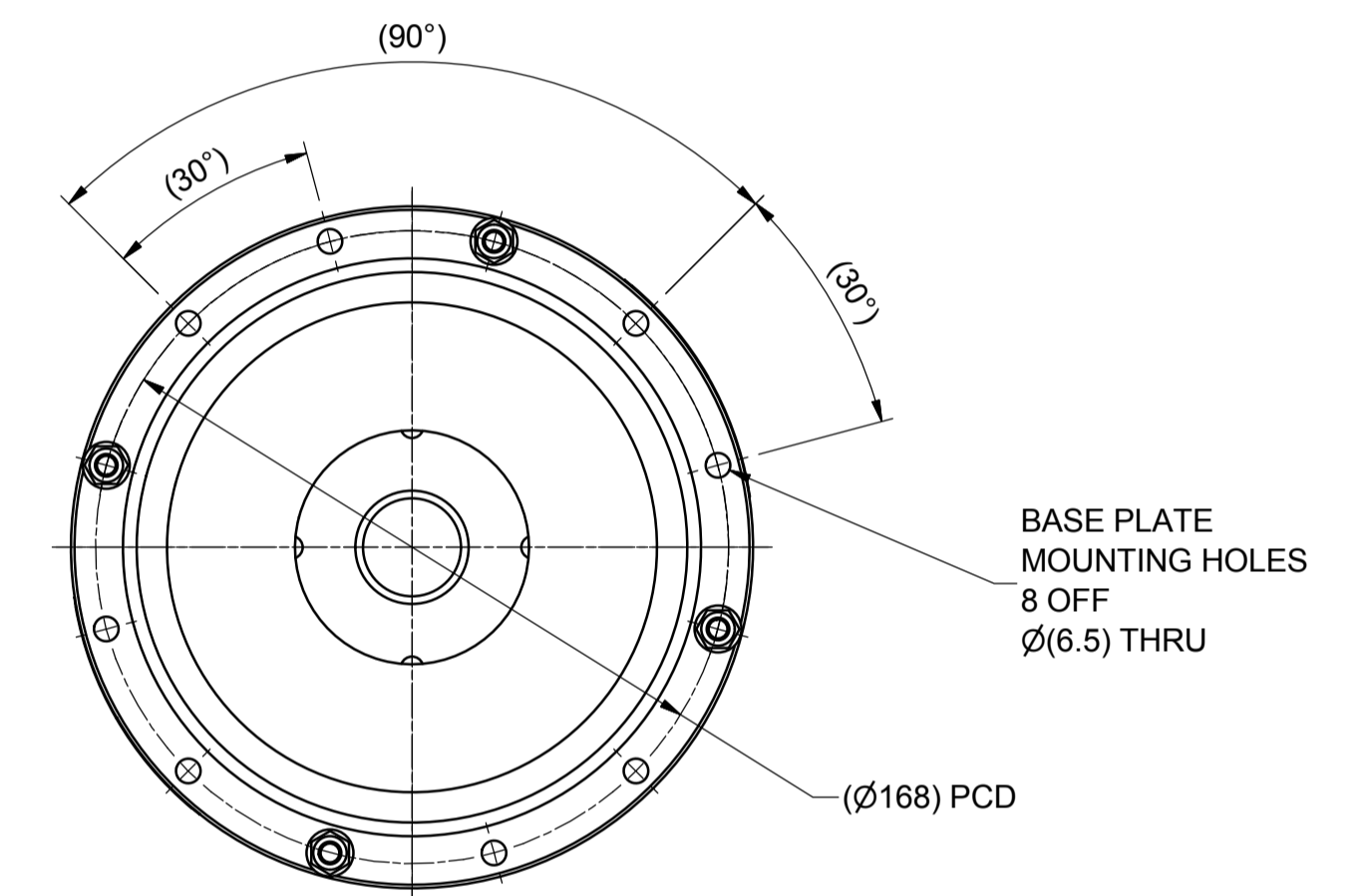
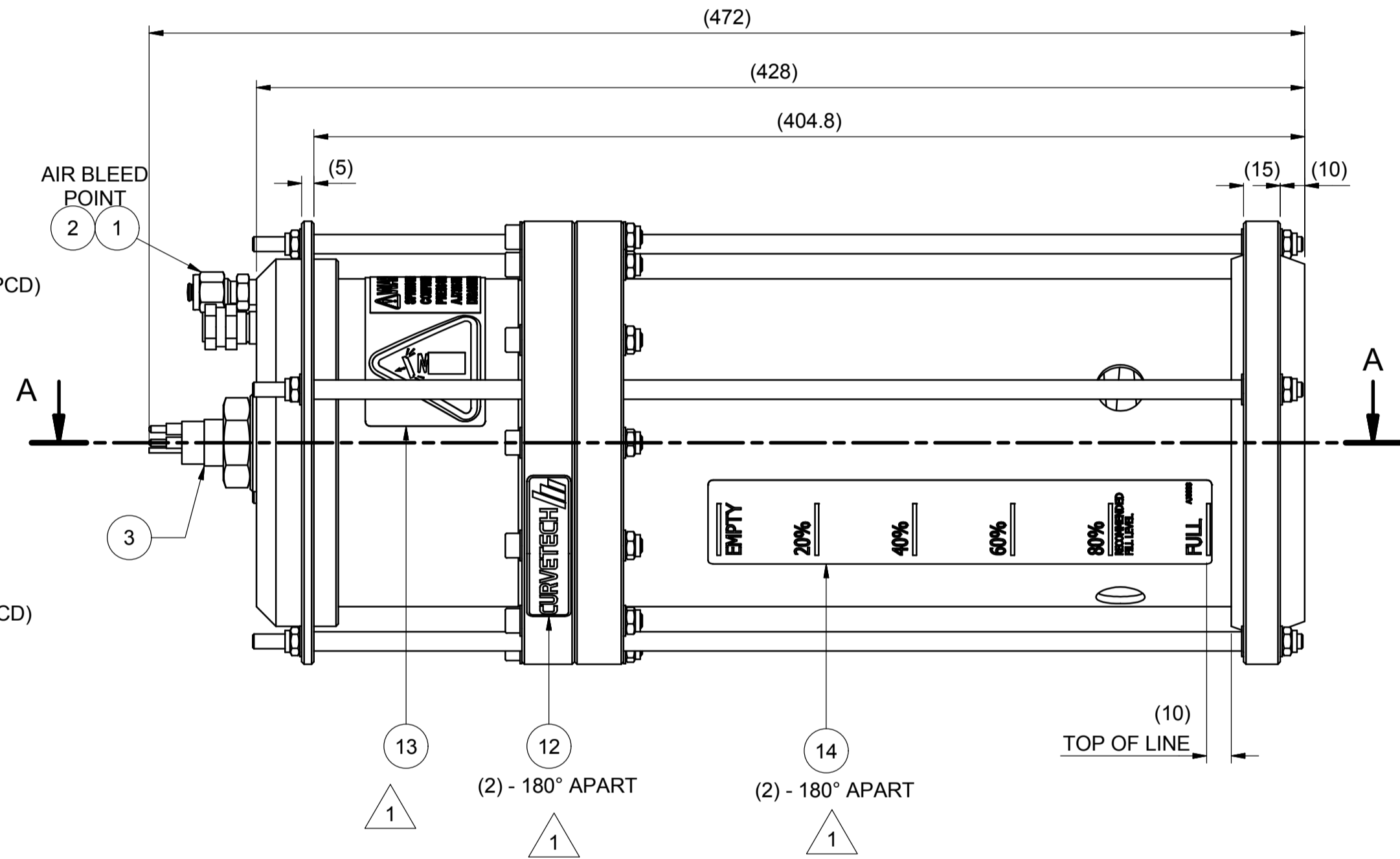
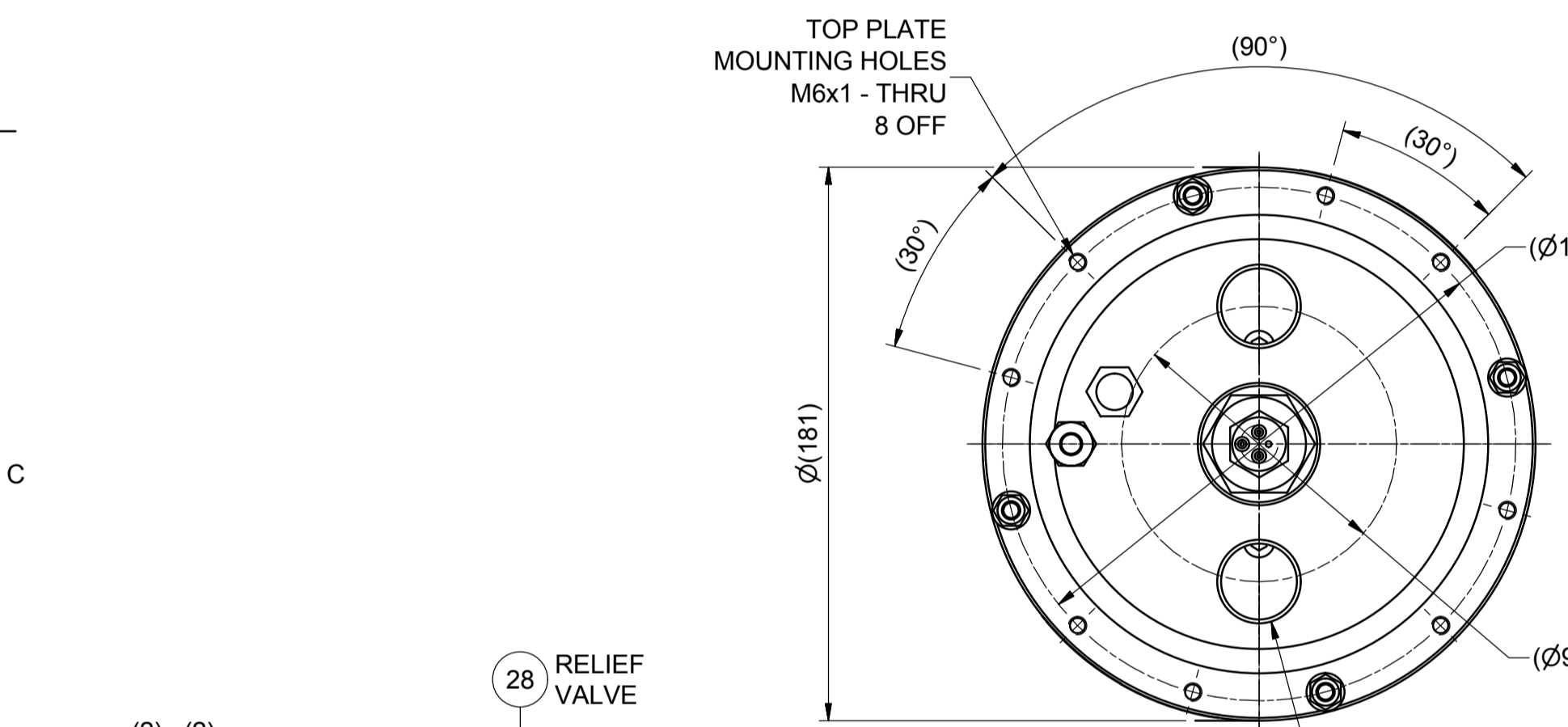


PARTS LIST			
ITEM	PART NUMB	DESCRIPTION	QTY
1	AA3146	CONNECTOR MALE 1/8"NPT x 1/4" TUBE	1
2	AA3195	FITTING PLUG 1/4" SS A4 - SWAGelok SS-400-P	1
3	AC8683	SENSOR L JW 0220 N 0.3H 1 1882 REV 2	1
4	AC9722	BASEPLATE 2.75 L COMP	1
5	AC9723	COUPLING FLANGE LOWER	1
6	AC9724	PISTON 2.75L COMPENSATOR	1
7	AC9727	RETAINER DIAPHRAGM 2.75L COMPENSATOR	1
8	AD0213	HOUSING TRANSDUCER	1
9	AD0293	CAP PLATE SENSOR HOUSING	1
10	AD0541	SEAL O-RING 41.5 x 3.0 NBR70	1
11	AE1012	PLATE 2.75 L COMPENSATOR TOP	1
12	AJ7205	LABEL CURVETECH LOGO (BLACK ON TRANSPARENT)	2
13	AJ7481	LABEL WARNING SPRING UNDER COMPRESSION	1
14	AJ8833	LABEL 2.75L & 6L COMPENSATOR LEVEL GAUGE	2
15	AJ9375	DIAPHRAGM 2.75L COMPENSATOR DV_3008 WITH MOUNTING HOLES	1
17	DE_2085	PISTON HOUSING BOTTOM	1
18	DE_2086	PRESSURE HOUSING TOP	1
19	DE_2088	COUPLING FLANGE UPPER	1
20	DE_3736	TIE BAR 2.75 LITRE COMPENSATOR	4
21	OR_152431	O' RING 132.0 X 7.0 (BS431)	2
22	OV_4638	SPRING TYPE 'B' 2.75 COMPENSATOR	1
23	PA0078	NUT M6 NYLOC SS A2-70	20
24	PA0192	BOLT M6 x 25 SHCS SS A2-70	4
25	PA0546	WASHER M6 FLAT BS4320 FORM B SS A2	36
26	PA4815	BOLT M6 x 50 SHCS SS A2-70	12
27	PB7913	SEAL O-RING 84.3 x 5.7	1
28	PD8370	VALVE RELIEF 15psi (1/4"NPT)	1
29	PE1755	SEAL O-RING 74.5 X 3.0	1
16	AJ9375-001	DIAPHRAGM 2.75L COMPENSATOR (HOLES PUNCHED)	1



WARNING ! DANGER OF INJURY.
 CARE MUST BE TAKEN WHEN FITTING OR REMOVING SPRING.
 A HYDRAULIC PRESS WITH RELEVANT SAFETY FEATURES OR SMD
 COMPRESSION TOOL (AJ7395) SHOULD BE USED TO COMPRESS OR RELEASE THE SPRING.



SPECIFICATION (ESTIMATE)		
WEIGHT	IN AIR	9.4 kg
	IN WATER	6.3 kg
	IN AIR WITH OIL	11.7 kg
	IN SEA WATER WITH OIL	5.8 kg
VOLUME	FULL	2.75 Litre
	EMPTY	0 Litre
PRESSURE	FULL	0.8 bar
	EMPTY	0.4 bar

TRANSDUCER - SUBCONN MCBH3M-SS	
PIN	FUNCTION
1	COMMON
2	SIGNAL (0.5 - 10V)
3	INPUT (16.5 - 28V)

- NOTES :-
- ASSEMBLE IN ACCORDANCE WITH SMD SPECIFICATION W100.
 - APPLY MOLYKOTE GREASE ON 'O-RINGS' & APPLY AQUALUBE GREASE TO ALL THREADS.
 - BLANK ALL PORTS AFTER BUILD.
 - IF IN DOUBT PLEASE ASK.

REV	DATE	CHANGE COMMENT	ZONE	DRAWN	CHECKED	APPD	DATE	EST. MASS	DIMENSIONS	SCALE	PROJECTION 3RD	TITLE	
1	23 AUG 16	WASHERS ADDED. DECALS & SPEC TABLE ADDED. PA0192 WAS PA0546 AND PF7562. AJ9375 WAS DV_3008	VAR	LO	PM	MvZ	28/10/11	9 kg	mm	1:2	3RD	ASSEMBLY COMPENSATOR 2.75L - 2xSAE#12 - 6-12 PSI - SUBCONN3 (IMPULSE) - 0-10V	
							DESIGNED	DRAWN	TOLERANCES UNLESS OTHERWISE STATED			MATERIAL:- N/A	
							HPR	TOB	DIMENSIONS mm UP TO 100 ±1.0 100 TO 300 ±1.5 300 TO 1000 ±2.0 OVER 1000 ±3.0			DO NOT SCALE IF IN DOUBT ASK	
							CHECKED	APPROVED	FABRICATION ±0.15 ±0.4 ±0.8 ±1.0			DRAWING No	
							PIB	JPG	MACHINED PART			REV No.	
							ALL INTELLECTUAL PROPERTY RIGHTS SUBSISTING IN THESE DESIGNS ARE THE PROPERTY OF SOIL MACHINE DYNAMICS LTD. NO COPY IS TO BE MADE WITHOUT THE WRITTEN PERMISSION OF SOIL MACHINE DYNAMICS LTD. ANY PATENT APPLICATIONS, PATENTS AND / OR DESIGN APPLICATIONS, REGISTERED DESIGNS, DESIGN RIGHTS OR COPYRIGHT ARISING FROM OR CONTAINED IN THE DESIGNS ARE THE PROPERTY OF SOIL MACHINE DYNAMICS LTD. AND ALL INFORMATION MUST BE HELD IN THE STRICTEST CONFIDENCE			SMD Soil Machine Dynamics Ltd			SIZE
										DRAWING No			
										REV No.			
										SIZE			
										SHEET 1 OF 1			