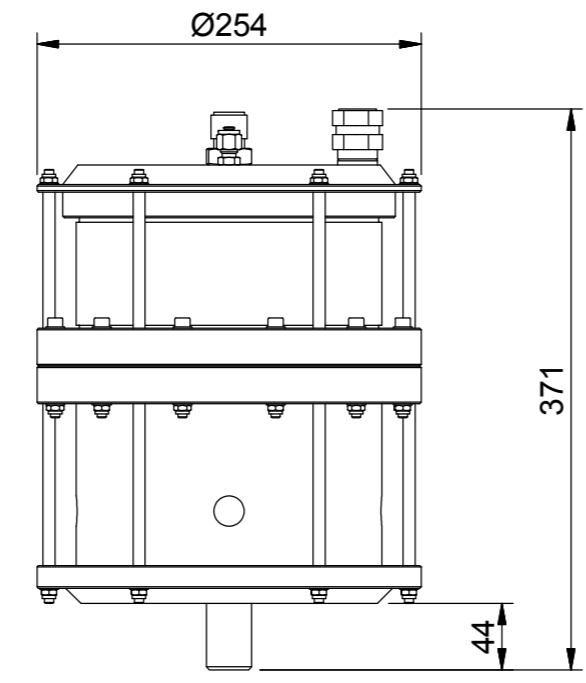
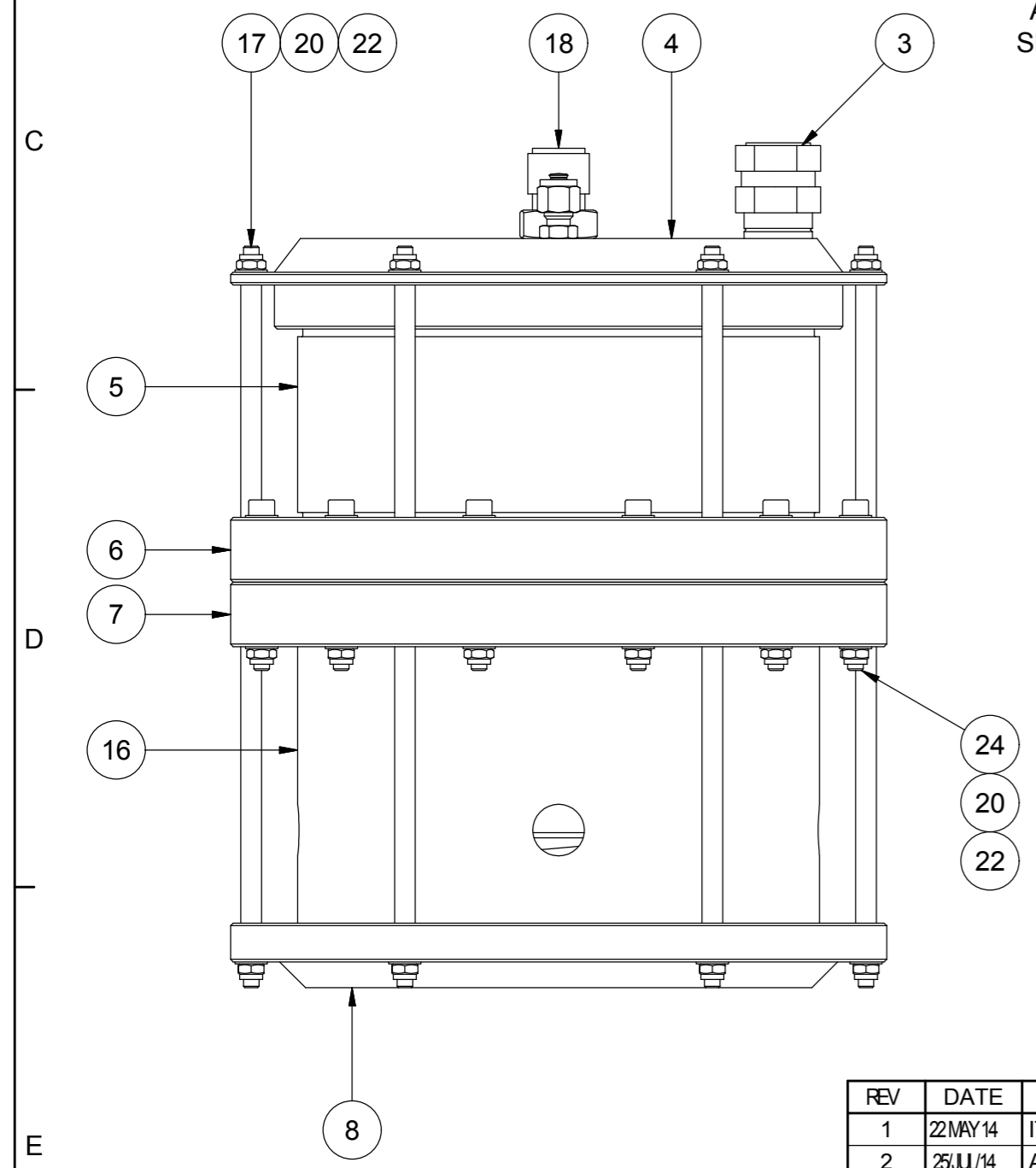
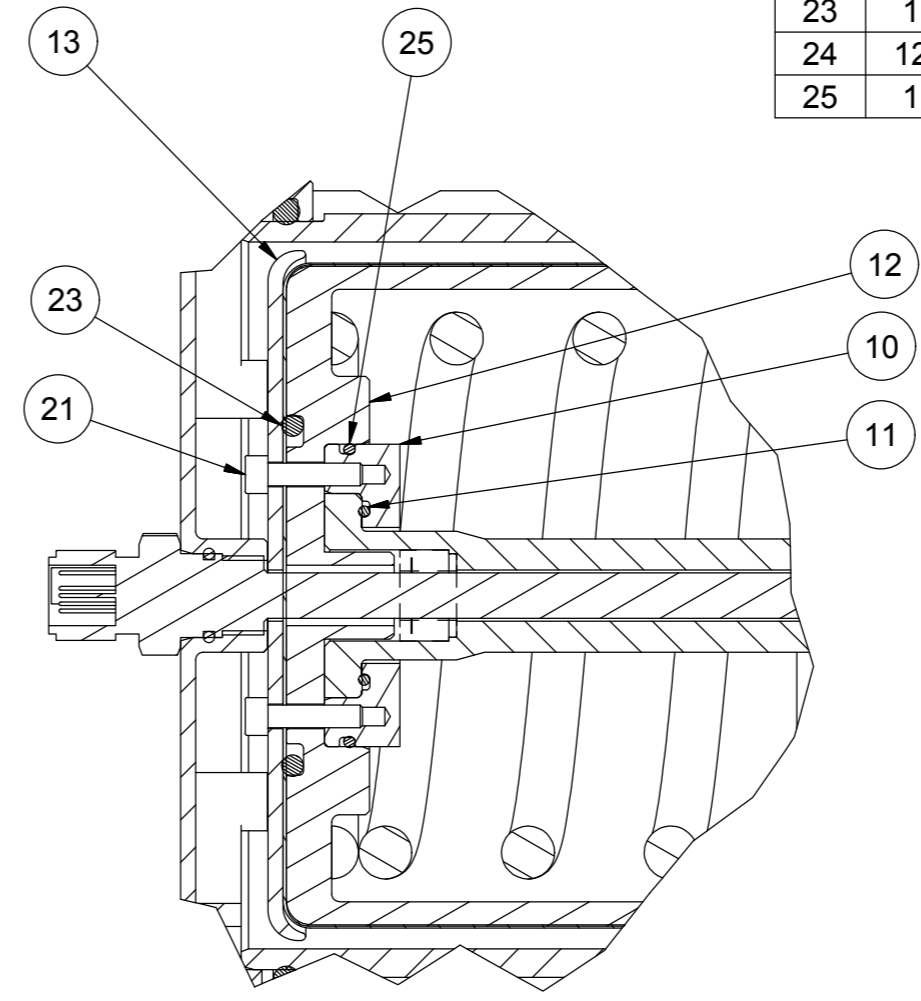


SECTION A-A

WARNING ! DANGER OF INJURY.
 CARE MUST BE TAKEN WHEN FITTING OR REMOVING SPRING.
 A HYDRAULIC PRESS WITH RELEVANT SAFETY FEATURES
 SHOULD BE USED TO COMPRESS OR RELEASE THE SPRING.



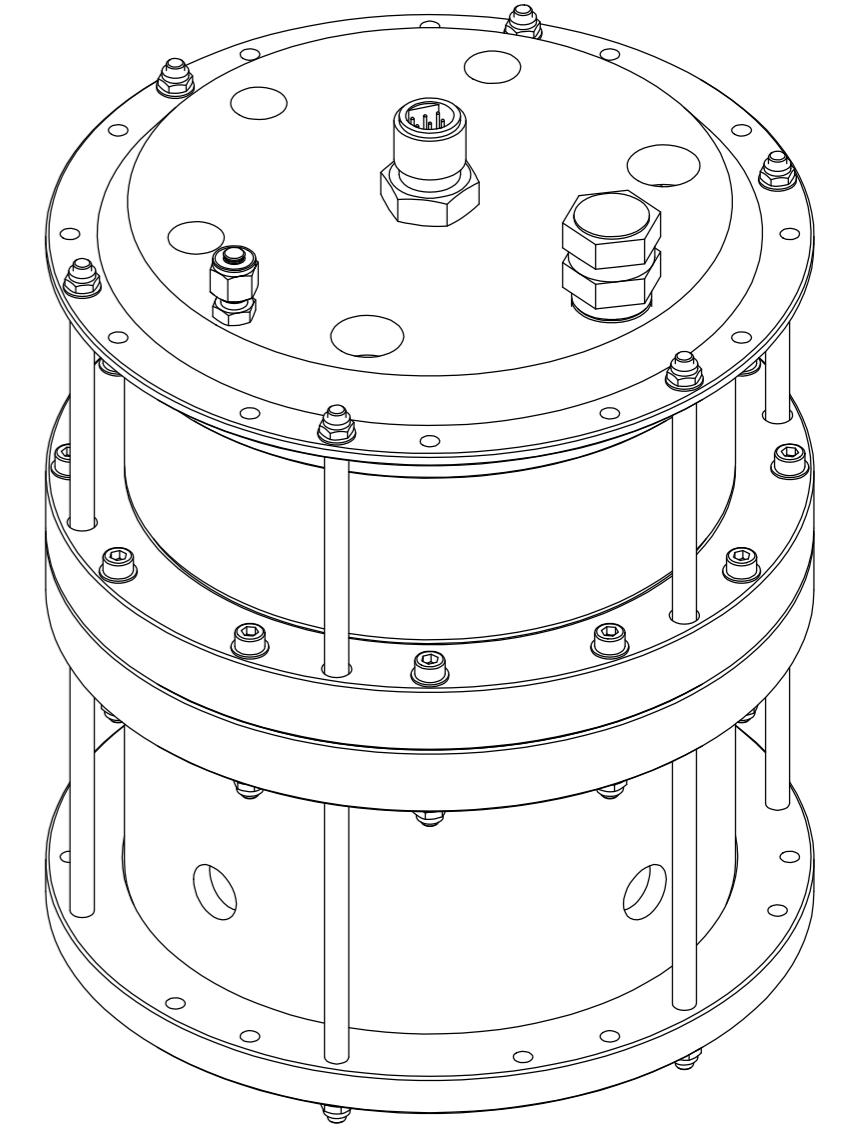
COMPENSATOR FULL
 (MAX. DIMENSIONS)
 SCALE 1 : 5



DETAIL B
 SCALE 1 : 2

- NOTES :-
1. ASSEMBLE IN ACCORDANCE WITH SMD SPECIFICATION W100.
 2. APPLY MOLYKOTE GREASE ON 'O-RINGS' & APPLY AQUALUBE GREASE TO ALL THREADS.
 3. IF IN DOUBT PLEASE ASK.

PARTS LIST				
ITEM	QTY	PART No	DESCRIPTION	
1	1	AA3146	CONNECTOR MALE 1/8"NPT x 1/4" TUBE	
2	1	AA3195	FITTING PLUG 1/4" SS A4 - SWAGELOK SS-400-P	
3	1	AA7426	VALVE RELIEF 30psi (3/4"NPT)	
4	1	AC9793	TOP PLATE - 6L COMPENSATOR	
5	1	AC9794	HOUSING UPPER - 6L COMPENSATOR	
6	1	AC9795	FLANGE COUPLING UPPER - 6L COMPENSATOR	
7	1	AC9796	FLANGE COUPLING LOWER - 6L COMPENSATOR	
8	1	AC9798	BASE PLATE - 6L COMPENSATOR	
9	1	AC9799	DIAPHRAGM - 6L COMPENSATOR	
10	1	AD0293	CAP PLATE SENSOR HOUSING	
11	1	AD0541	SEAL O-RING 41.5 x 3.0 NBR70	
12	1	AD0710	PISTON - 6L COMPENSATOR	
13	1	AD0713	RETAINER DIAPHRAGM - 6L COMPENSATOR	
14	2	AD1227	SEAL O-RING / 6.99 x 196.22	
15	1	AD8677	SPRING 6L RESERVOIR (HIGH PRESSURE)	
16	1	AH5955	HOUSING LOWER - 3L COMP	
17	6	AH5956	TIE BAR - 3L COMP	
18	1	AH6122	SENSOR LJW 0119 N 0.3S S 2945, C/W BURTON 5507 1508	
19	1	AH6123	HOUSING TRANSDUCER	
20	24	PA0078	NUT M6 NYLOC SS A2-70	
21	4	PA0192	BOLT M6 x 25 SHCS SS A2-70	
22	36	PA0546	WASHER M6 FLAT BS4320 FORM B SS A2	
23	1	PB7913	SEAL O-RING 84.3 x 5.7	
24	12	PB9837	BOLT M6 x 60 SHCS SS A2-70	
25	1	PE1755	SEAL O-RING 74.5 X 3.0	



RELEASED FOR MANUFACTURE

REV	DATE	CHANGE COMMENT	ZONE	DRAWN	CHECKED	APPD	DATE	EST. MASS	DIMENSIONS	SCALE	PROJECTION	TITLE																																				
1	22MAY14	ITEM PF7562 REPLACED BY PA0192	C3	LO	DAL	DAL	15/01/2014	15.2 kg	mm	1:25UCS	3RD	ASSEMBLY COMPENSATOR 3L - 0.9 - 1.7 BAR BURTON																																				
2	25JUL14	AA3195 & AA3146 ADDED	B2	TOB	JCUR	NRC																																										
<table border="1"> <tr> <td>DESIGNED</td> <td>DRAWN</td> <td colspan="4">TOLERANCES UNLESS OTHERWISE STATED</td> <td rowspan="2">MATERIAL:- N/A</td> <td rowspan="2">DRAWING No</td> <td rowspan="2">REV No.</td> <td rowspan="2">SIZE</td> </tr> <tr> <td>DAL</td> <td>TCO</td> <td>DIMENSIONSmm</td> <td>UP TO 100</td> <td>100 TO 300</td> <td>300 TO 1000</td> <td>OVER 1000</td> <td rowspan="2">EV 4007-1</td> <td rowspan="2">2</td> <td rowspan="2">A2</td> </tr> <tr> <td>CHECKED</td> <td>APPROVED</td> <td>FABRICATION</td> <td>± 1.0</td> <td>± 1.5</td> <td>± 2.0</td> <td>± 3.0</td> <td rowspan="2">SHEET 1 OF 1</td> <td rowspan="2"></td> <td rowspan="2"></td> </tr> <tr> <td>JPG</td> <td>JPG</td> <td>MACHINEDPART</td> <td>± 0.15</td> <td>± 0.4</td> <td>± 0.8</td> <td>± 1.0</td> </tr> </table>												DESIGNED	DRAWN	TOLERANCES UNLESS OTHERWISE STATED				MATERIAL:- N/A	DRAWING No	REV No.	SIZE	DAL	TCO	DIMENSIONSmm	UP TO 100	100 TO 300	300 TO 1000	OVER 1000	EV 4007-1	2	A2	CHECKED	APPROVED	FABRICATION	± 1.0	± 1.5	± 2.0	± 3.0	SHEET 1 OF 1			JPG	JPG	MACHINEDPART	± 0.15	± 0.4	± 0.8	± 1.0
DESIGNED	DRAWN	TOLERANCES UNLESS OTHERWISE STATED				MATERIAL:- N/A	DRAWING No	REV No.	SIZE																																							
DAL	TCO	DIMENSIONSmm	UP TO 100	100 TO 300	300 TO 1000					OVER 1000	EV 4007-1	2	A2																																			
CHECKED	APPROVED	FABRICATION	± 1.0	± 1.5	± 2.0	± 3.0	SHEET 1 OF 1																																									
JPG	JPG	MACHINEDPART	± 0.15	± 0.4	± 0.8	± 1.0																																										
<p>ALL INTELLECTUAL PROPERTY RIGHTS SUBSISTING IN THESE DESIGNS ARE THE PROPERTY OF SOIL MACHINE DYNAMICS LTD. NO COPY IS TO BE MADE WITHOUT THE WRITTEN PERMISSION OF SOIL MACHINE DYNAMICS LTD. ANY PATENT APPLICATIONS, PATENTS AND/OR DESIGN APPLICATIONS, REGISTERED DESIGNS, DESIGN RIGHTS OR COPYRIGHT ARISING FROM OR CONTAINED IN THE DESIGNS ARE THE PROPERTY OF SOIL MACHINE DYNAMICS LTD. AND ALL INFORMATION MUST BE HELD IN THE STRICTEST CONFIDENCE.</p> <p>SMD Soil Machine Dynamics Ltd</p>																																																