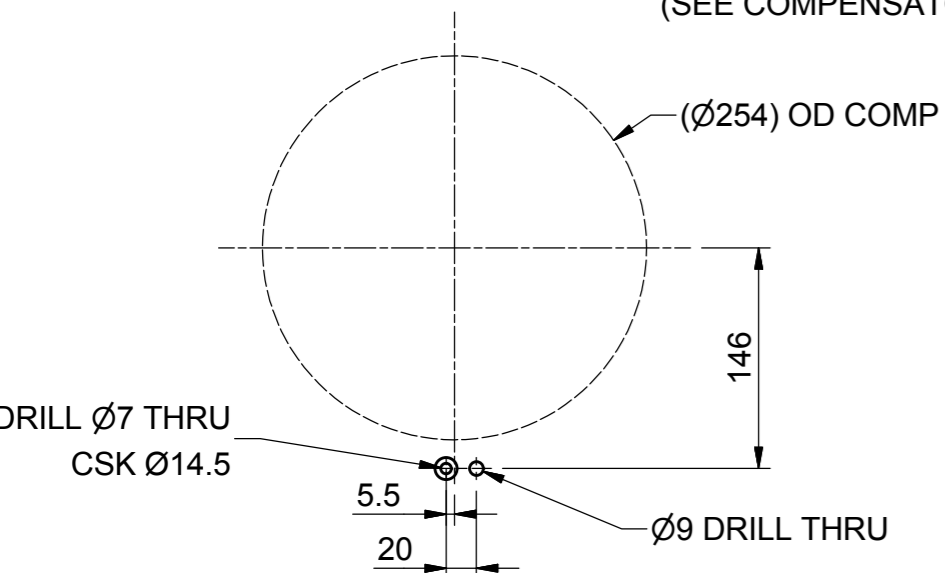


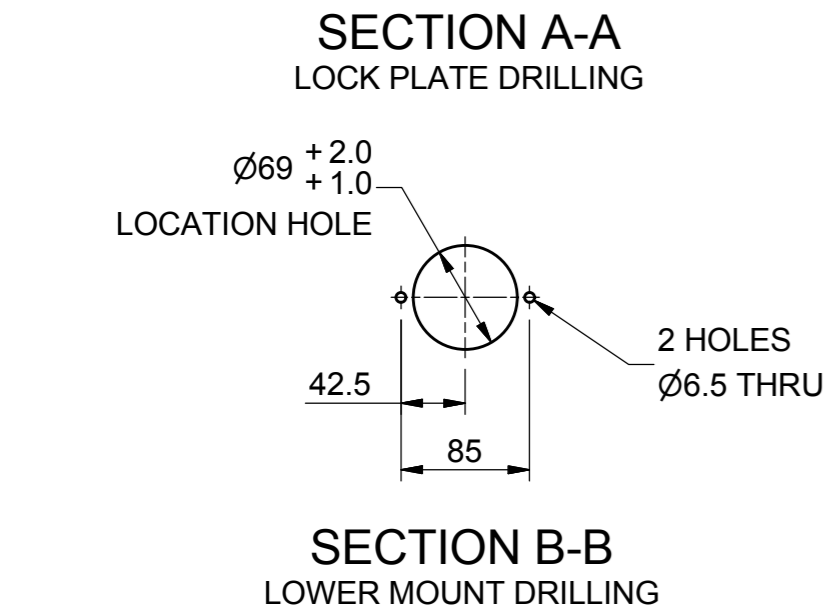
ISOMETRIC VIEW SHOWING KIT SUPPLIED ITEMS USED IN MOUNTING BOTH 6.0 AND 3.0 L COMPENSATORS



- NOTES :-**
1. ASSEMBLE IN ACCORDANCE WITH SMD SPECIFICATION SMDW100
 2. MOUNT CAN BE USED TO LOCATE COMPENSATOR IN HORIZONTAL OR VERTICAL ORIENTATIONS.
 3. VERTICAL ORIENTATION - COMPENSATOR WEIGHT SHOULD BE TAKEN BY HANDLE END

- QUICK INSTALLATION / REMOVAL NOTES**
- A. LOCATE COMPENSATOR OVER BOTTOM CIRCULAR MOUNT
 - B. LOWER COMPENSATOR ONTO MOUNT SO HANDLE LOCATES ON THE SINGLE UPPER BOLT
 - C. TWIST COMPENSATOR AND TIGHTEN SINGLE UPPER BOLT
 - D. TO REMOVE FOLLOW PROCEDURE IN REVERSE

PARTS LIST			
ITEM	PART No	DESCRIPTION	QTY
1	AD1328	PLATE CAPTIVE NUT M8	1
2	AF6137	FABRICATION COMP MOUNT	1
3	AH7052	BOSS COMP LOWER BRACKET 3L & 6L	1
4	PA0078	NUT M6 NYLOC SS A2-70	4
5	PA0192	BOLT M6 x 25 SHCS SS A2-70	2
6	PA0546	WASHER M6 FLAT BS4320 FORM B SS A2	6
7	PB5117	BOLT M8 x 25 SHCS SS A4-80	1
8	PF7562	BOLT M6 x 25 SKT BTN HD SS A2-70	2
9	WA1485	BOLT M6 X 16 SKT CSK HD SS A2-70	1



REV	DATE	CHANGE COMMENT	ZONE	DRAWN	CHECKED	APPD	DATE	EST. MASS	DIMENSIONS	SCALE	PROJECTION 3RD	TITLE
							10 AUG 16	N/A	mm	1:5		ASSEMBLY 3L & 6L COMPENSATOR QUICK MOUNTING KIT
TOLERANCES UNLESS OTHERWISE STATED												
DESIGNED LO		DRAWN LO		FABRICATION		MACHINED PART		± 1.0	± 1.5	± 2.0	± 3.0	MATERIAL:- N/A
CHECKED MvZ		APPROVED MvZ		± 0.15	± 0.4	± 0.8	± 1.0	DO NOT SCALE IF IN DOUBT ASK		DRAWING No	REV No.	SIZE
										AJ9085	0	A2
SHEET 1 OF 1												

ALL INTELLECTUAL PROPERTY RIGHTS SUBSISTING IN THESE DESIGNS ARE THE PROPERTY OF SOIL MACHINE DYNAMICS LTD. NO COPY IS TO BE MADE WITHOUT THE WRITTEN PERMISSION OF SOIL MACHINE DYNAMICS LTD. ANY PATENT APPLICATIONS, PATENTS AND / OR DESIGN APPLICATIONS, REGISTERED DESIGNS, DESIGN RIGHTS OR COPYRIGHT ARISING FROM OR CONTAINED IN THE DESIGNS ARE THE PROPERTY OF SOIL MACHINE DYNAMICS LTD. AND ALL INFORMATION MUST BE HELD IN THE STRICTEST CONFIDENCE.

