

1

2

3

4

5

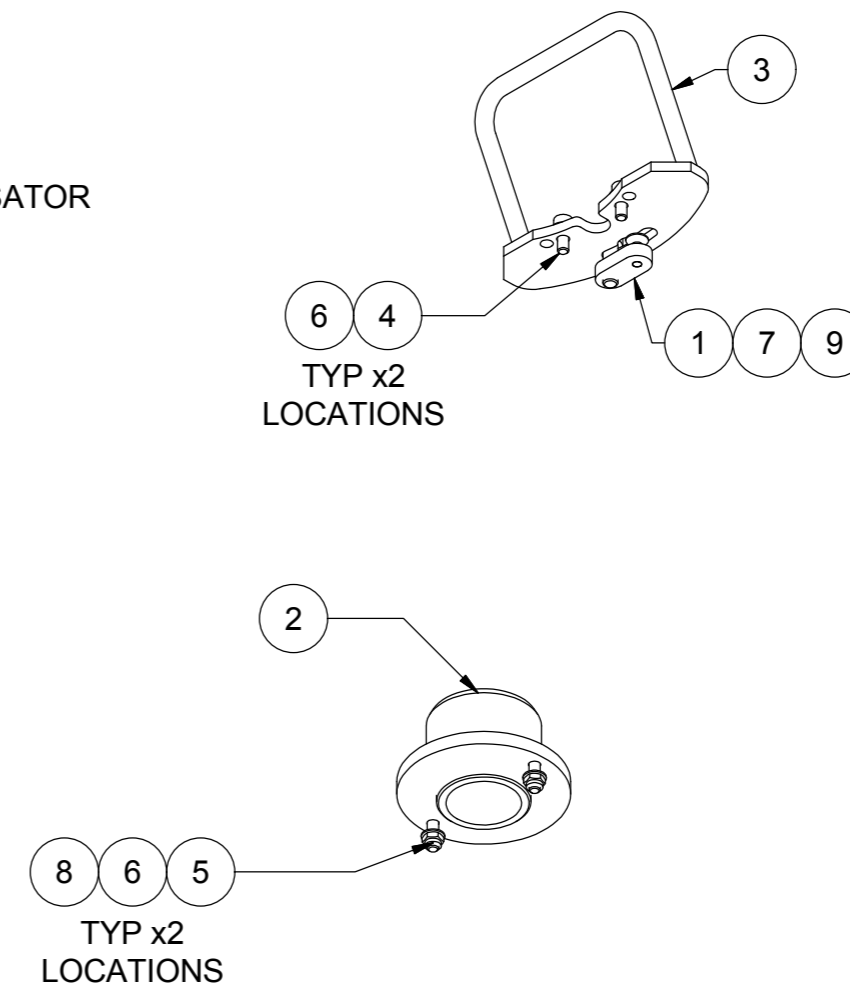
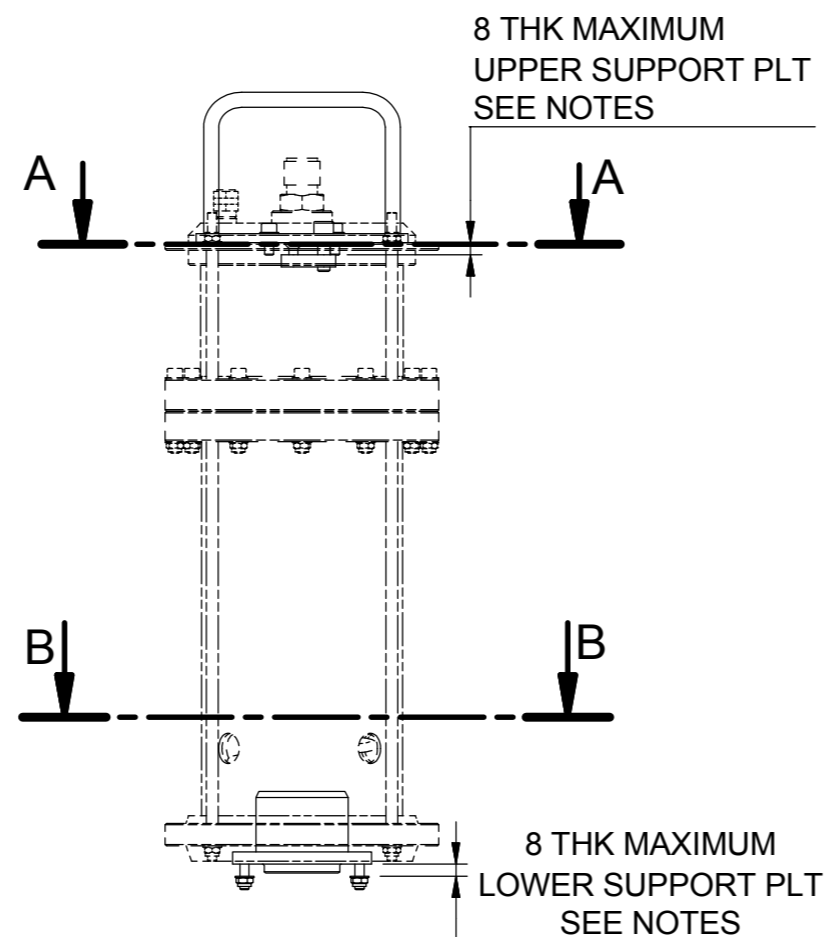
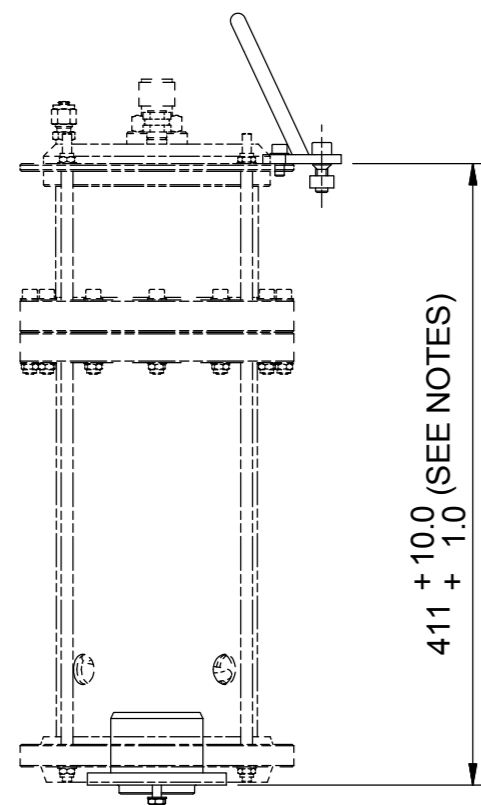
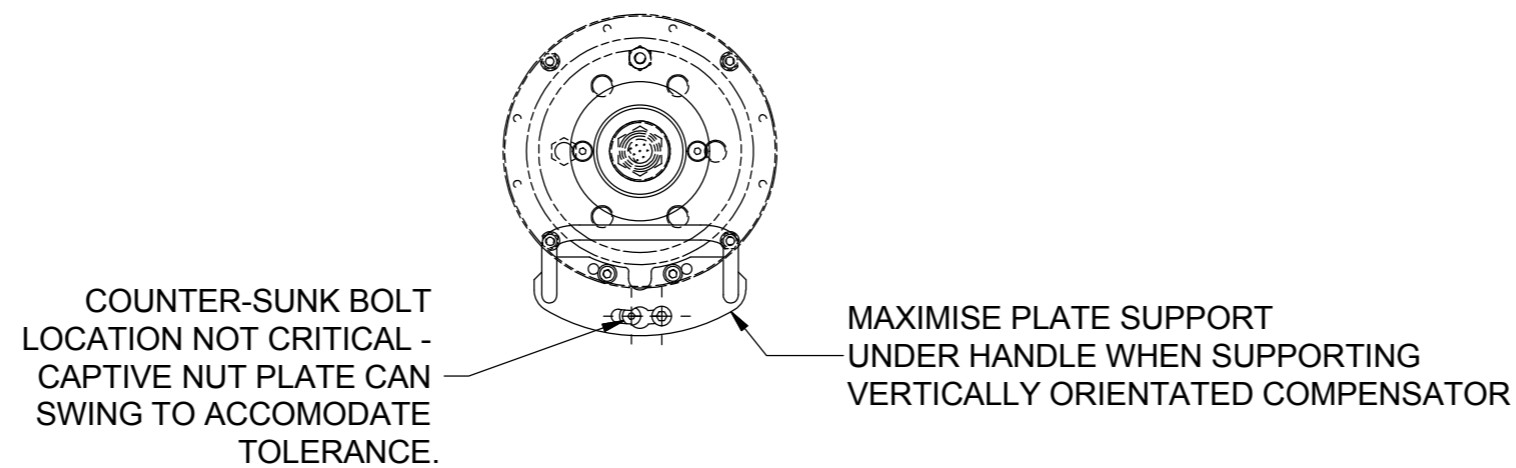
A

B

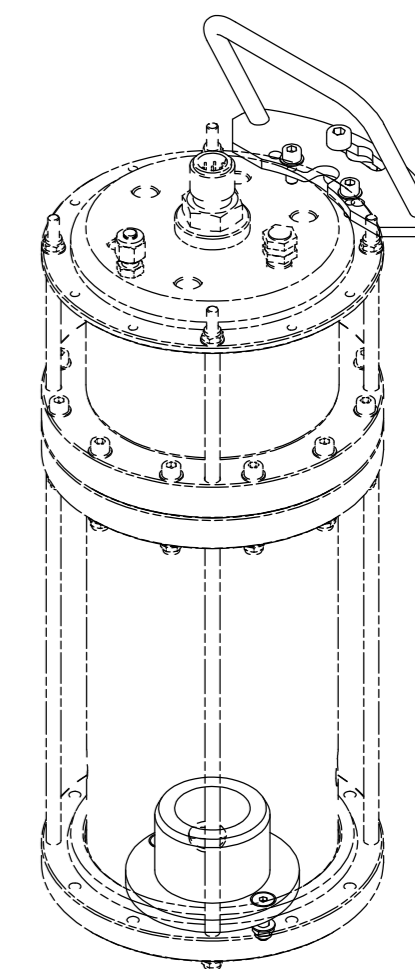
C

D

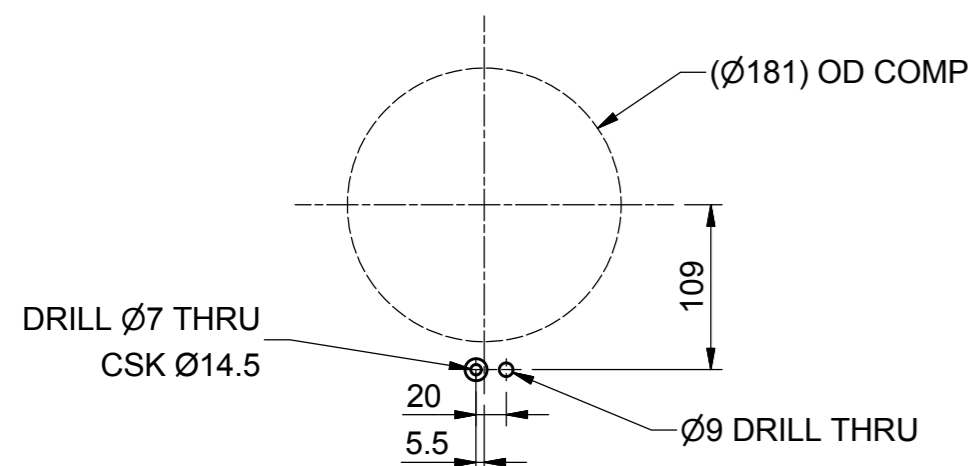
E



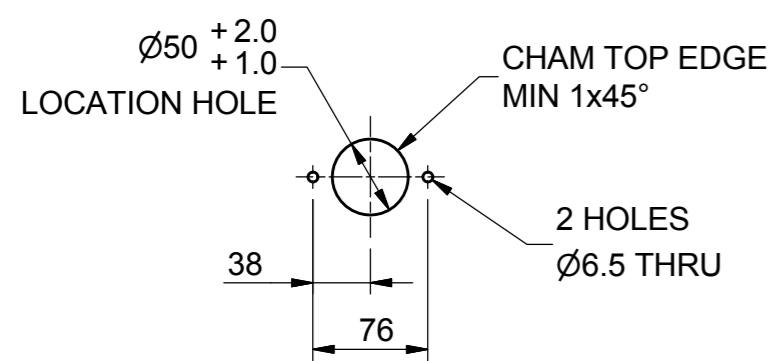
ISOMETRIC VIEW
SHOWING KIT SUPPLIED ITEMS



ISOMETRIC VIEW
ASSEMBLY SHOWING 2.75L
COMPENSATOR AS REFERENCE



SECTION A-A
LOCK PLATE DRILLING



SECTION B-B
LOWER MOUNT DRILLING

NOTES :-

1. ASSEMBLE IN ACCORDANCE WITH SMD SPECIFICATION SMDW100
2. MOUNT CAN BE USED TO LOCATE COMPENSATOR IN HORIZONTAL OR VERTICAL ORIENTATIONS.
3. VERTICAL ORIENTATION - COMPENSATOR WEIGHT SHOULD BE TAKEN BY HANDLE END
4. ASSEMBLY IS SUITABLE FOR 2.75L COMPENSATORS WITH SINGLE INTERNAL SPRING ONLY
5. IF MOUNTING TO THICKER PLATES THAN NOTED, REPLACE FASTENERS WITH LONGER VARIANTS

QUICK INSTALLATION / REMOVAL NOTES

- A. LOCATE COMPENSATOR OVER BOTTOM CIRCULAR MOUNT
- B. LOWER COMPENSATOR ONTO MOUNT SO HANDLE LOCATES ON THE SINGLE UPPER BOLT
- C. TWIST COMPENSATOR AND TIGHTEN SINGLE UPPER BOLT
- D. TO REMOVE FOLLOW PROCEDURE IN REVERSE

PARTS LIST			
ITEM	PART No	DESCRIPTION	QTY
1	AD1328	PLATE CAPTIVE NUT M8	1
2	AE0223	BOSS COMP BRACKET	1
3	AF6137	FABRICATION COMP MOUNT	1
4	OB_1212	BOLT M6 x 15 SHCS SS A2-70	2
5	PA0078	NUT M6 NYLOC SS A2-70	2
6	PA0546	WASHER M6 FLAT BS4320 FORM B SS A2	4
7	PB5117	BOLT M8 x 25 SHCS SS A4-80	1
8	PF5839	BOLT M6 x 25 SKT CSK HD SS A2-70	2
9	WA1485	BOLT M6 X 16 SKT CSK HD SS A2-70	1

REV	DATE	CHANGE COMMENT	ZONE	DRAWN	CHECKED	APPD	DATE	EST. MASS	DIMENSIONS	SCALE	PROJECTION 3RD	TITLE	
							10 AUG 16	N/A	mm	1:5		ASSEMBLY 2.75L COMPENSATOR (SINGLE SPRING) MOUNTING KIT	
							TOLERANCES UNLESS OTHERWISE STATED				MATERIAL:- N/A		
							DIMENSIONS mm				DO NOT SCALE IF IN DOUBT ASK		
							FABRICATION				DRAWING No	REV No.	SIZE
							MACHINED PART				AJ9084	0	A2
											SHEET 1 OF 1		

ALL INTELLECTUAL PROPERTY RIGHTS SUBSISTING IN THESE DESIGNS ARE THE PROPERTY OF SOIL MACHINE DYNAMICS LTD. NO COPY IS TO BE MADE WITHOUT THE WRITTEN PERMISSION OF SOIL MACHINE DYNAMICS LTD. ANY PATENT APPLICATIONS, PATENTS AND / OR DESIGN APPLICATIONS, REGISTERED DESIGNS, DESIGN RIGHTS OR COPYRIGHT ARISING FROM OR CONTAINED IN THE DESIGNS ARE THE PROPERTY OF SOIL MACHINE DYNAMICS LTD. AND ALL INFORMATION MUST BE HELD IN THE STRICTEST CONFIDENCE.

SMD Soil Machine Dynamics Ltd