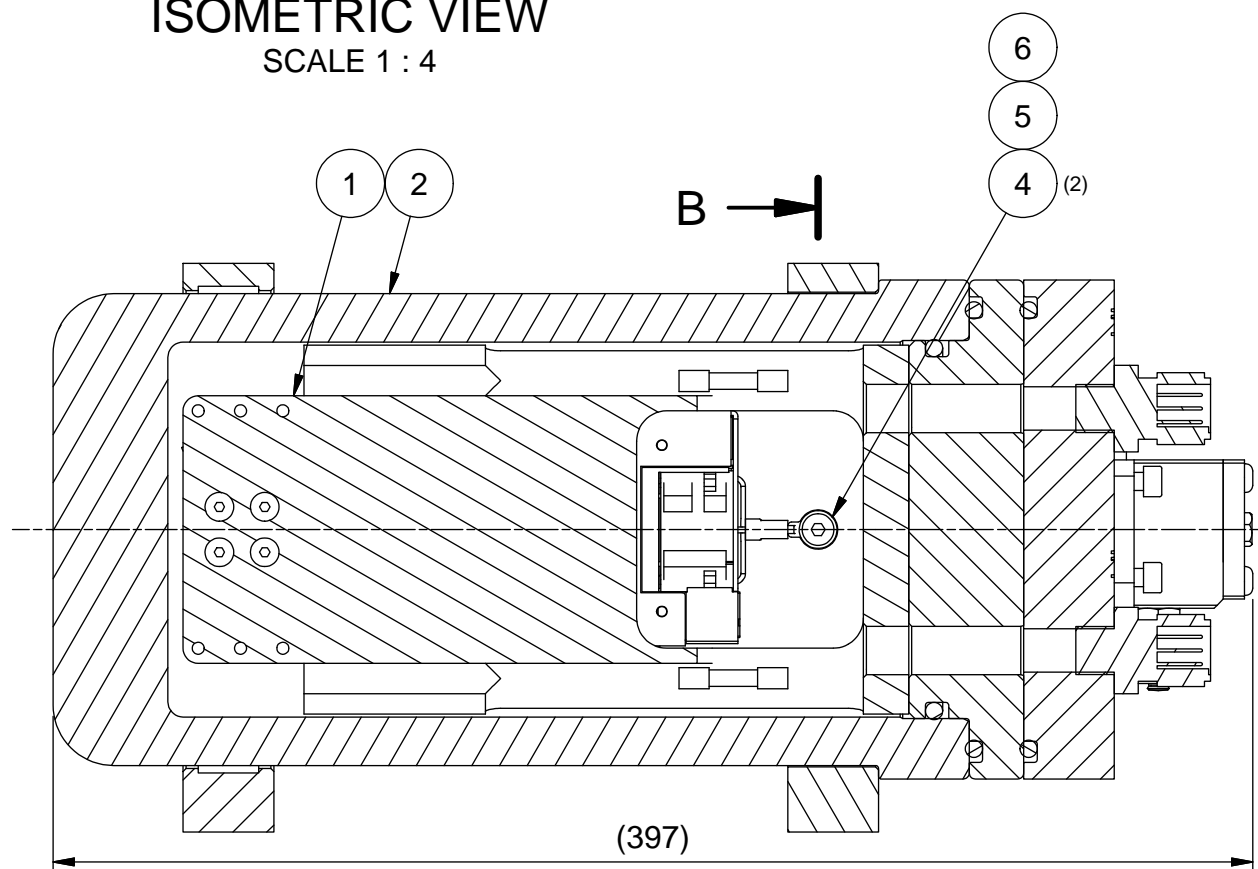


ISOMETRIC VIEW
SCALE 1 : 4

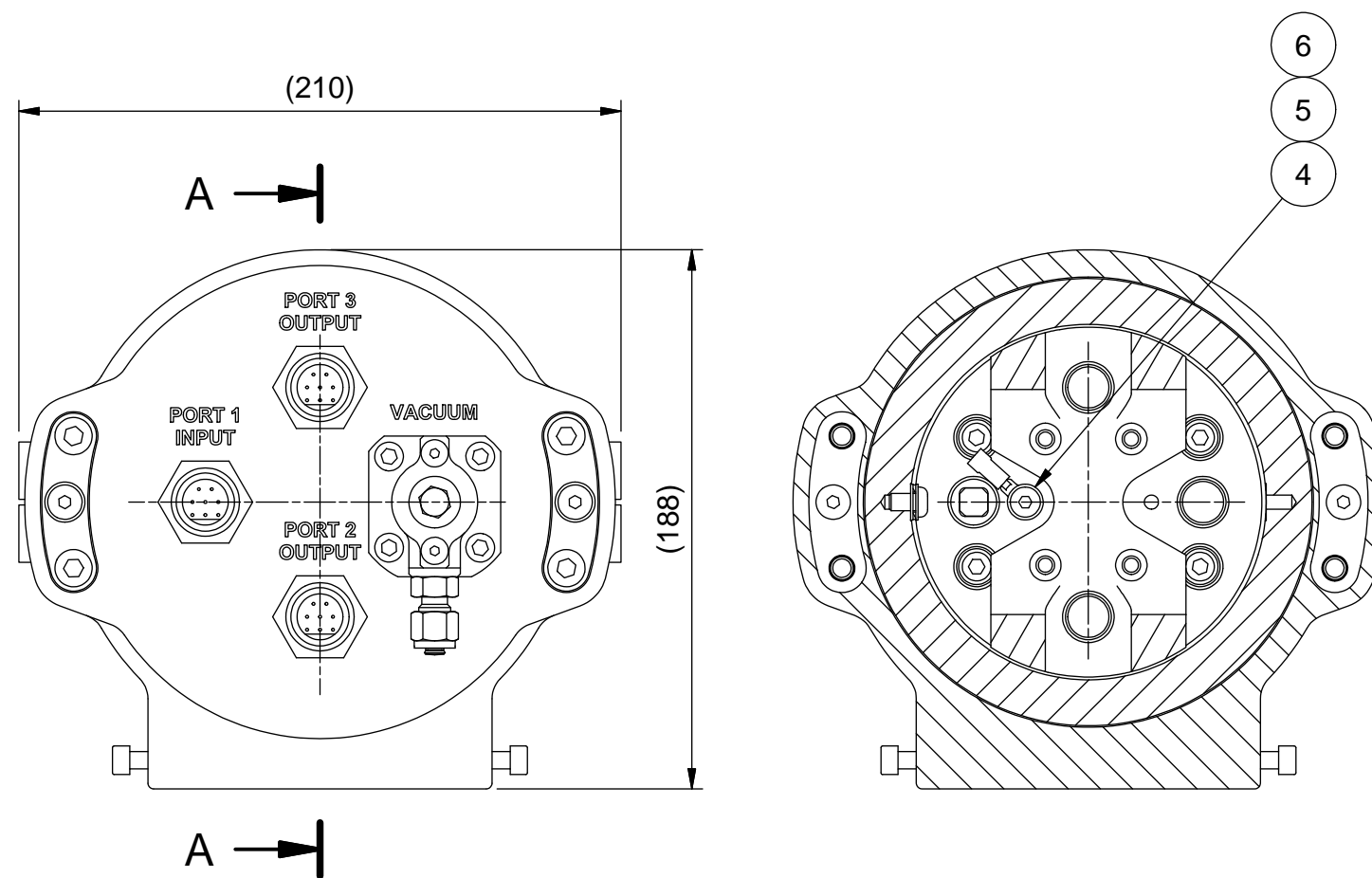
PARTS LIST				
ITEM	PART No	DESCRIPTION	QTY	COMMENTS
1	AJ1690	ASSEMBLY POWER SUPPLY POD ELECTRONICS (2x15V@30A, 1x24@10A)	1	
2	AJ1782	ASSEMBLY PRESSURE VESSEL 4000m – POWER SUPPLY POD	1	
3	AJ1789	DRAWING WIRING PSU POD (2x15V@30A, 1x24@10A)	1	NOT SHOWN
4	PA0546	WASHER M6 FLAT BS4320 FORM B SS A2	3	
5	PB5793	BOLT M6 x 10 SKT BTN HD SS A2-70	2	
6	PD8937	CABLE ACC RING CRIMP YELLOW M6	2	

NOTES :-

1. ASSEMBLE IN ACCORDANCE WITH SMD SPECIFICATION SMDW100



SECTION A-A



SECTION B-B

REV	DATE	CHANGE COMMENT	DRAWN	CHECKED	APPD	DATE	EST. MASS	DIMENSIONS	SCALE	PROJECTION 3RD	TITLE					
						04 DEC 14	N/A	mm	1:2.5 U.O.S.		ASSEMBLY POD POWER SUPPLY - (2x15V@30A, 1x24@10A) - BURTON - 4000m					
						DESIGNED	DRAWN	TOLERANCES UNLESS OTHERWISE STATED				MATERIAL:- N/A				
						JPG	TCO	DIMENSIONS mm	UP TO 100	100 TO 300	300 TO 1000		OVER 1000			
						CHECKED	APPROVED	FABRICATION	± 1.0	± 1.5	± 2.0	± 3.0	DO NOT SCALE IF IN DOUBT ASK	DRAWING No AJ1781	REV No. 0	SIZE A3
						NRC	NRC	MACHINED PART	± 0.15	± 0.4	± 0.8	± 1.0				

ALL INTELLECTUAL PROPERTY RIGHTS SUBSISTING IN THESE DESIGNS ARE THE PROPERTY OF SOIL MACHINE DYNAMICS LTD. NO COPY IS TO BE MADE WITHOUT THE WRITTEN PERMISSION OF SOIL MACHINE DYNAMICS LTD. ANY PATENT APPLICATIONS, PATENTS AND / OR DESIGN APPLICATIONS, REGISTERED DESIGNS, DESIGN RIGHTS OR COPYRIGHT ARISING FROM OR CONTAINED IN THE DESIGNS ARE THE PROPERTY OF SOIL MACHINE DYNAMICS LTD. AND ALL INFORMATION MUST BE HELD IN THE STRICTEST CONFIDENCE.



SHEET 1 OF 1