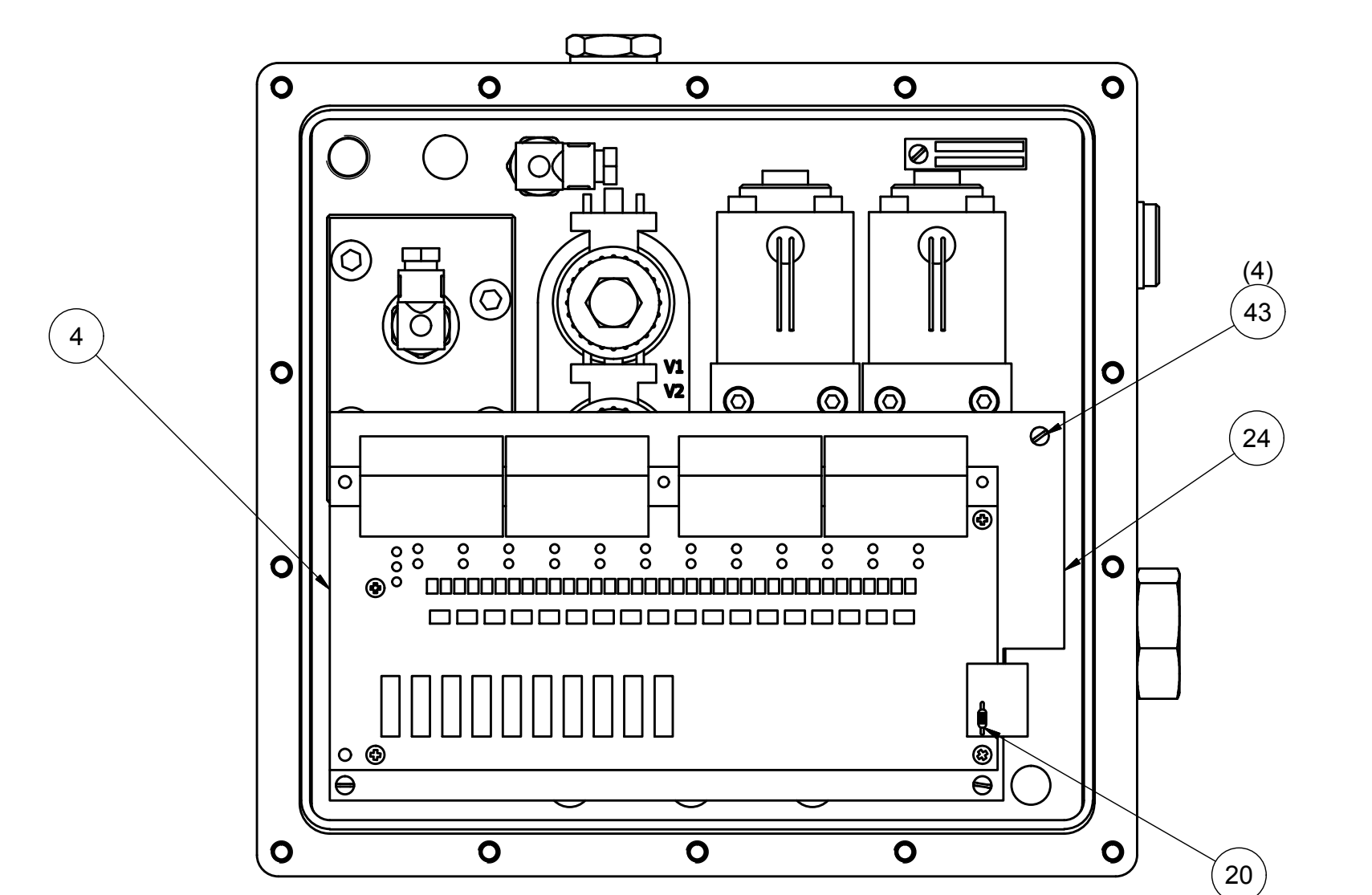
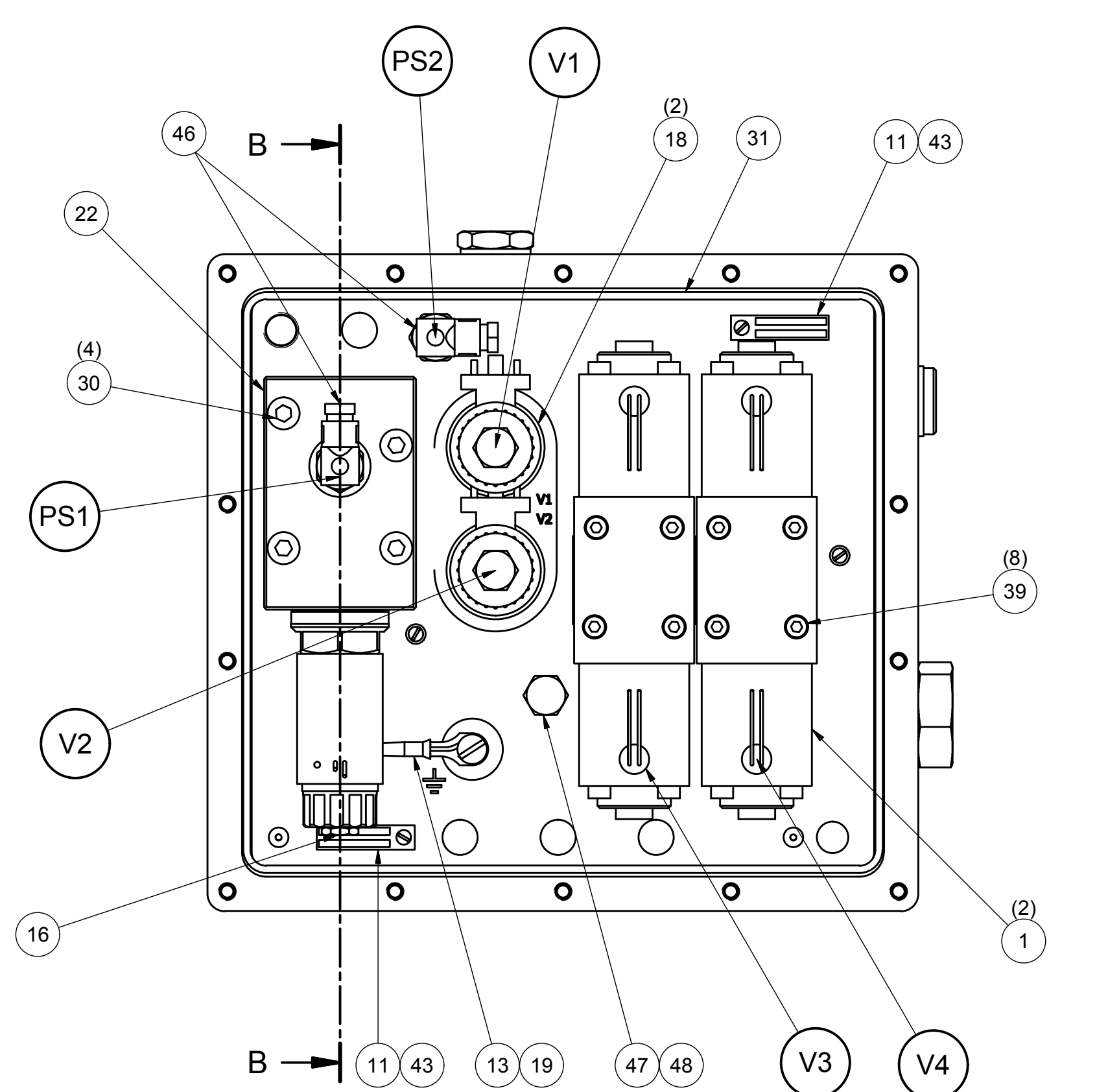
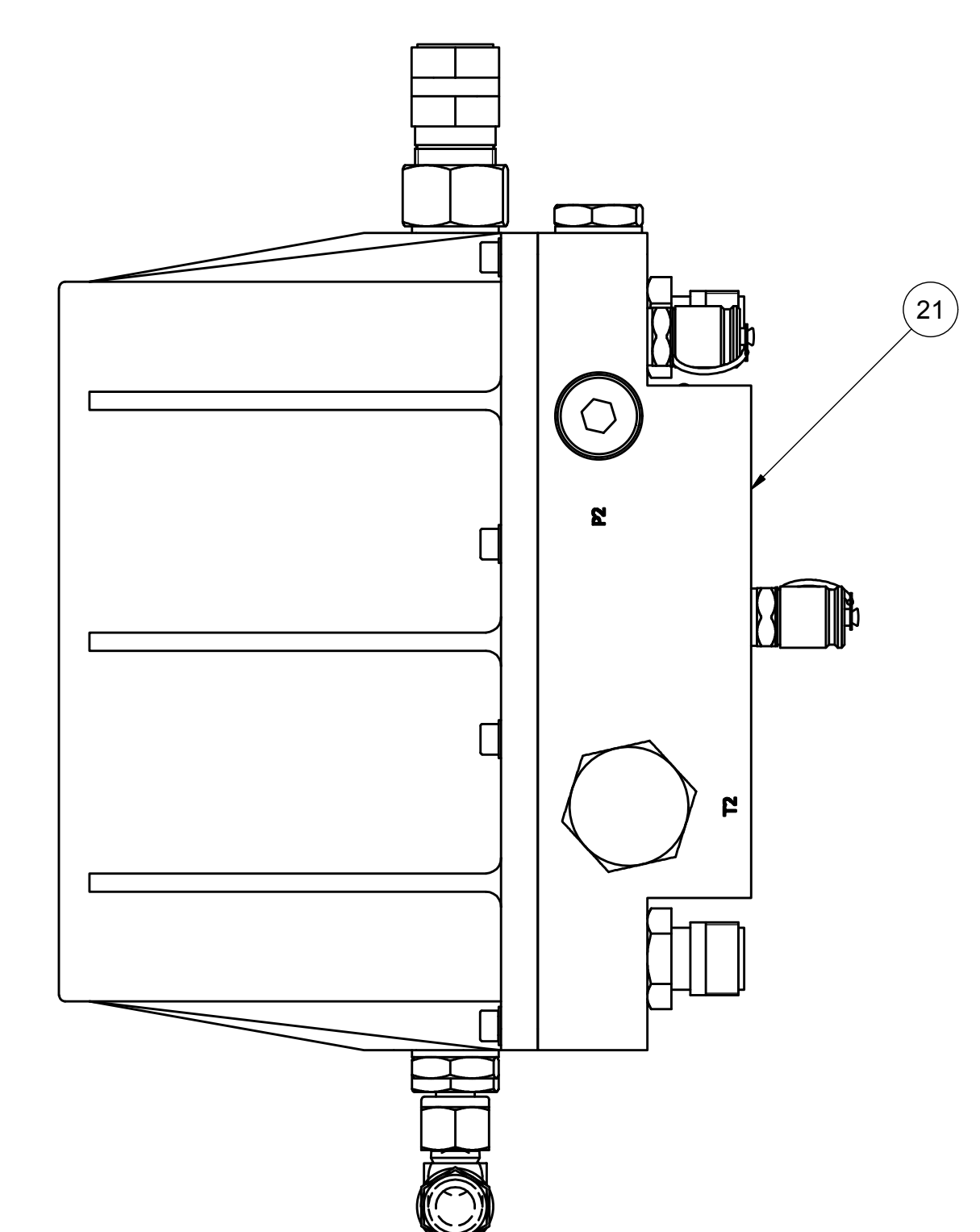
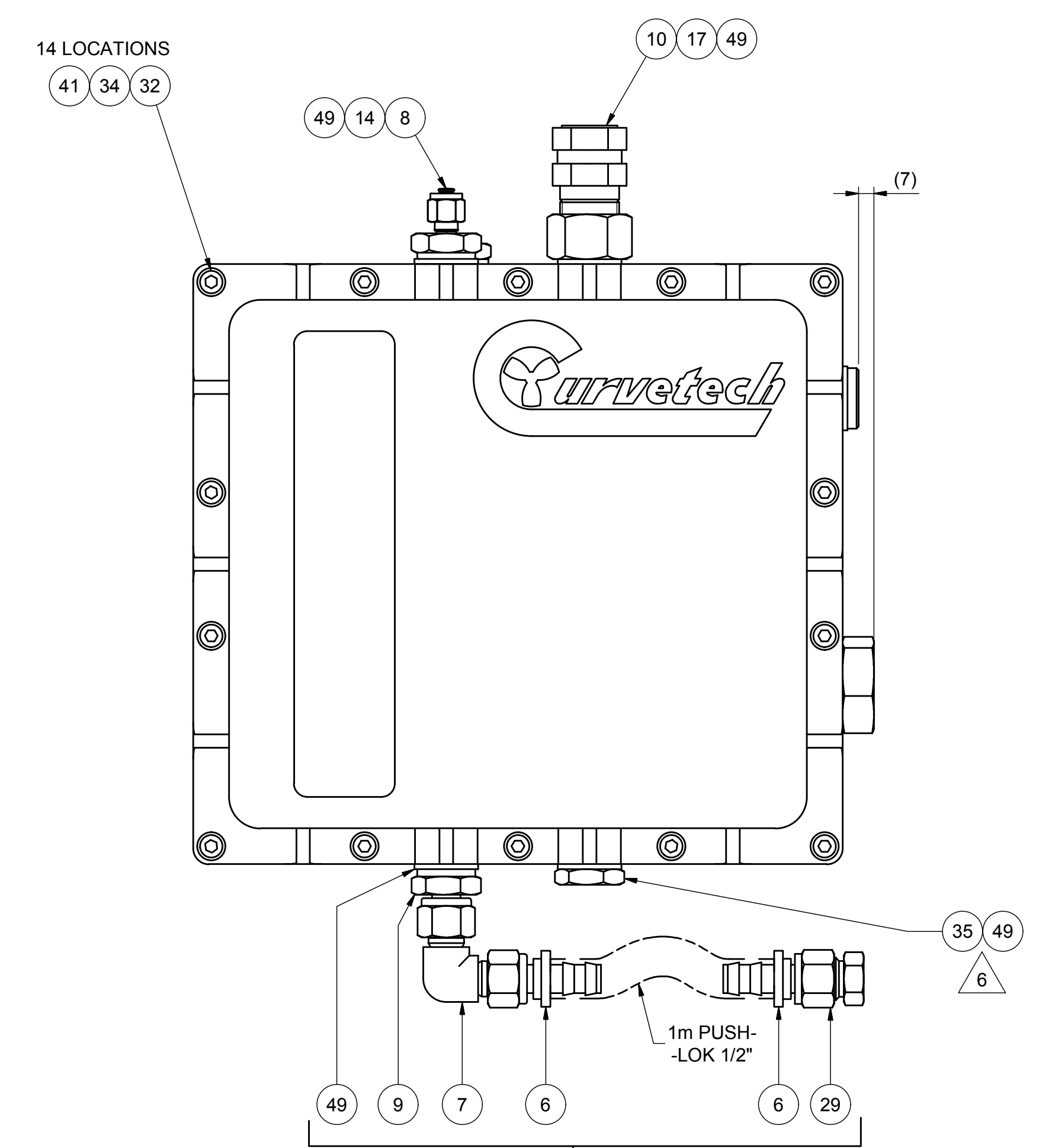
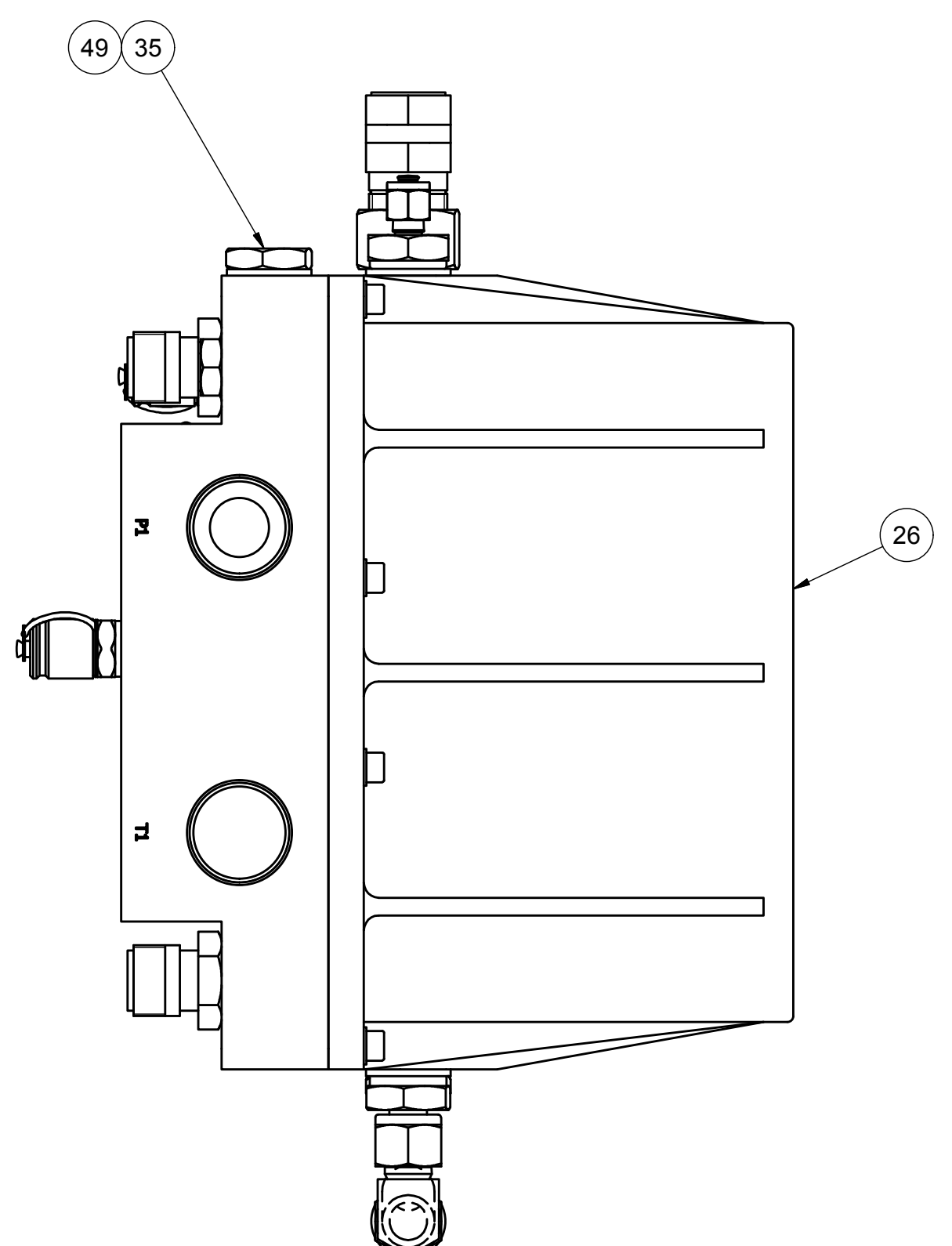


SECTION B-B

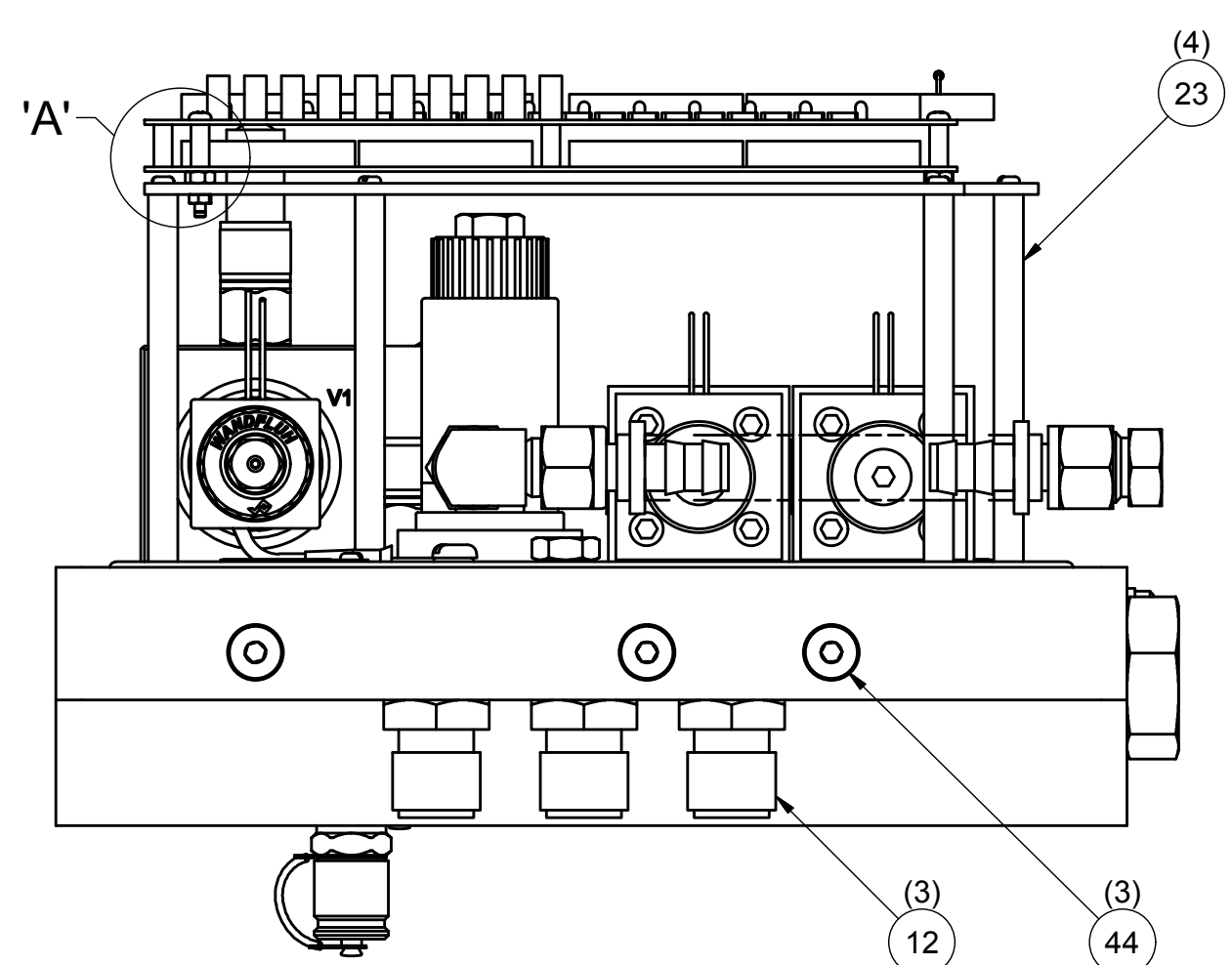


NO COVER

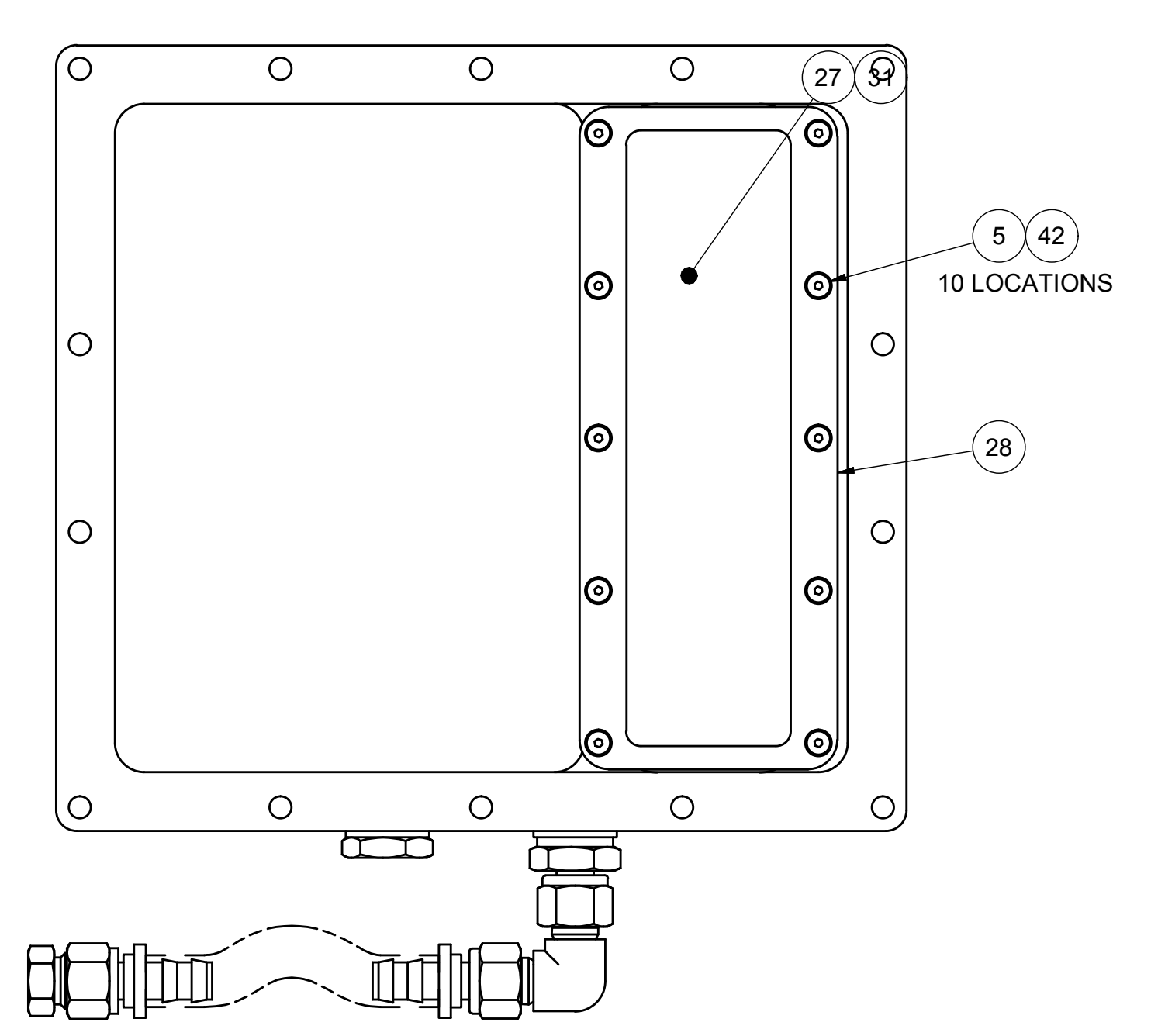


NO COVER OR PCB

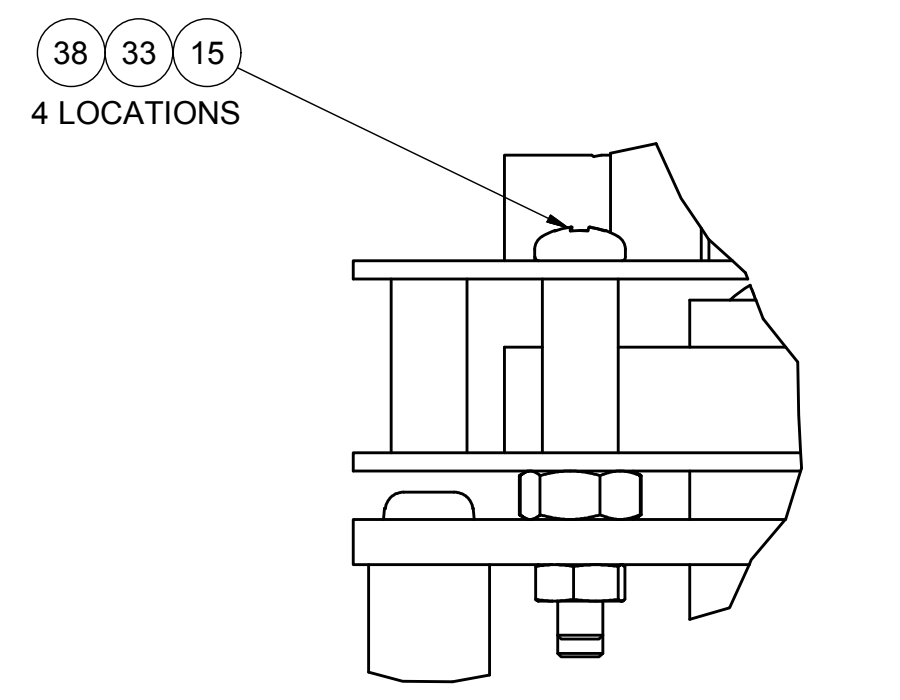
ITEM	PART No	DESCRIPTION	QTY	COMMENTS
1	AA0381	VALVE PROPORTIONAL DIRECTIONAL NG6	2	
2	AA0388	FITTING PLUG 1-5/16"UNF SS	1	
3	AA0406	FITTING PLUG 5/16"UNF SS	1	
4	AA0439	PCB MULTIFUNCTION VALVE CONTROLLER	1	
5	AA2745	BOLT M4 x 12 SKT CSK HD SS A2-70	10	
6	AA3114	FITTING ADAPTOR 1/2" STANDPIPE 1/2" PUSH-LOK SS	2	
7	AA3188	FITTING UNION ELBOW 1/2" TUBE	1	
8	AA3195	FITTING PLUG 1/4" SS A4 - SWAGELOK SS-400-P	1	
9	AA3236	ADAPTOR MALE 1/2"BSPP 1/2" STANDPIPE / SWAGELOK SS-8-TA-1-8RS	1	
10	AA3273	VALVE RELIEF 15psi (3/4"NPT)	1	
11	AA9979	PCB WATER INGRESS SENSOR	2	
12	AB0656	CONNECTOR 8 PIN BCR BURTON SS / 5507-1508-0004-PE	4	
13	AB0941	CABLE ACC RING CRIMP RED M6	1	
14	AC0834	CONNECTOR MALE 1/2"BSPP - 1/4" TUBE	1	
15	AC3163	BOLT M3 x 25 PAN HD SS	4	
16	AC5649	VALVE PROP. PRESS. REDUCING	1	
17	AC6647	ADAPTOR 1/2" BSPP M - 3/4" NPT F	1	
18	AC9011	VALVE PROPORTIONAL FLOW CONTROL	2	
19	AE1504	BOLT M6 x 8 SLTD PAN HD SS A2-70	1	
20	AE6690	RESISTOR CARBON 120R 0.4WATT	1	
21	AF9190	MANIFOLD 4-STATION HIGH-FLOW HCU	1	
22	AF9755	MANIFOLD PRESSURE REDUCING/RELIEF	1	
23	AF9993	STANDOFF HCU PCB	4	
24	AG0001	PLATE PERSPEX PCB MOUNT	1	
25	AG2405	HARNESS MOULDED 4000mm / BURTON	1	NOT SHOWN
26	AG4513	COVER VALVE PACK 4 STATION HCU	1	
27	AG4517	PLATE COVER SIGHT GLASS	1	
28	AG4518	PLATE WINDOW RETAINER	1	
29	AH6361	FITTING 1/2" CAP SS-810-C	1	
30	OB_1120	BOLT M8 x 60 SHCS SS A2-70	4	
31	OR_1040	O RING CORD 3mm	2	
32	PA0192	BOLT M6 x 25 SHCS SS A2-70	14	
33	PA0483	NUT M4 SS	4	
34	PA0546	WASHER M6 FLAT BS4320 FORM B SS A2	14	
35	PB1126	FITTING PLUG 1/2" BSP HEX SS	2	
36	PC1131	BLANK KOENIG 4mm SS	1	
37	PC2212	SEAL O-RING BS014 NBR90 (12.42 x 1.78)	3	
38	PC7718	NUT M3 SS	4	
39	PC9471	BOLT M5 x 50 SHCS SS A2-70	8	
40	PD3852	TEST POINT 1/4" BSP SS	2	
41	PD5645	INSERT HELICOIL M6 x 1.5D SS	14	
42	PD5953	HELICOIL INSERT M4x 1.5D SS	10	
43	PD8585	BOLT M3 x 12 SLTD PAN HD SS A2-70	6	
44	PJ8944	FITTING PLUG 1/8" BSP VSR SS	6	
45	PJ8947	FITTING PLUG 1/2" BSP VSR SS	1	
46	PK4444	PRESSURE SENSOR 0-400 bar 4-20mA	2	
47	WA1072	FITTING PLUG 1/8" BSP HEX SS	1	
48	WA1076	BONDED SEAL 1/8" BSPP SS	1	
49	WA1079	SEAL BONDED 1/2" BSP SS-1.4436 (316S33)	6	



SIDE VIEW W/O COVER



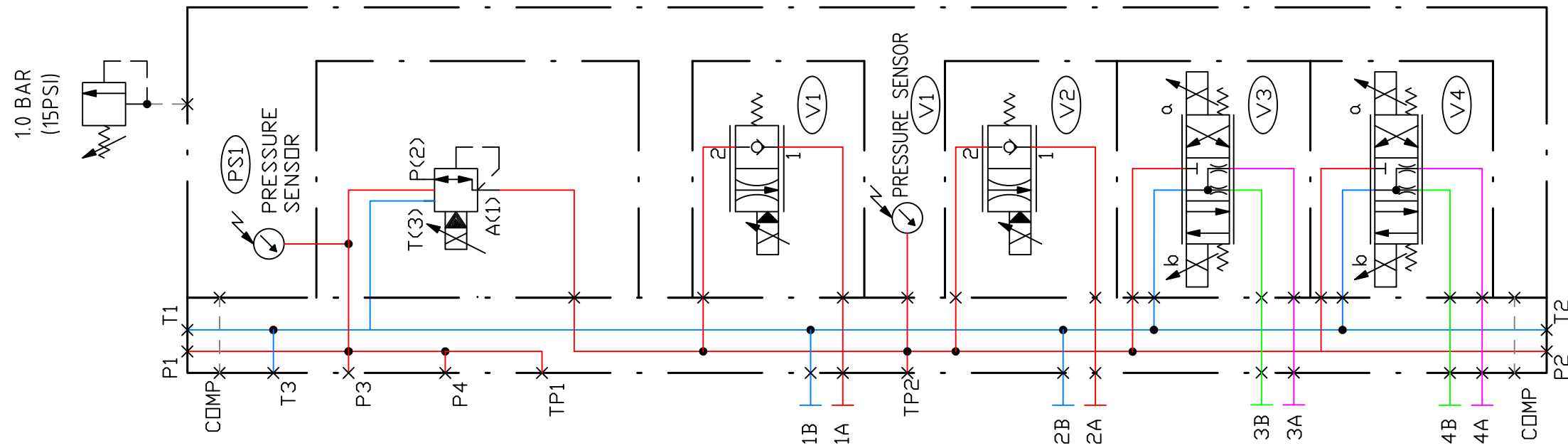
VIEW SHOWING INSIDE OF COVER



DETAIL 'A'

NOTES :-
1. ASSEMBLY IN ACCORDANCE WITH SMD SPECIFICATION W100

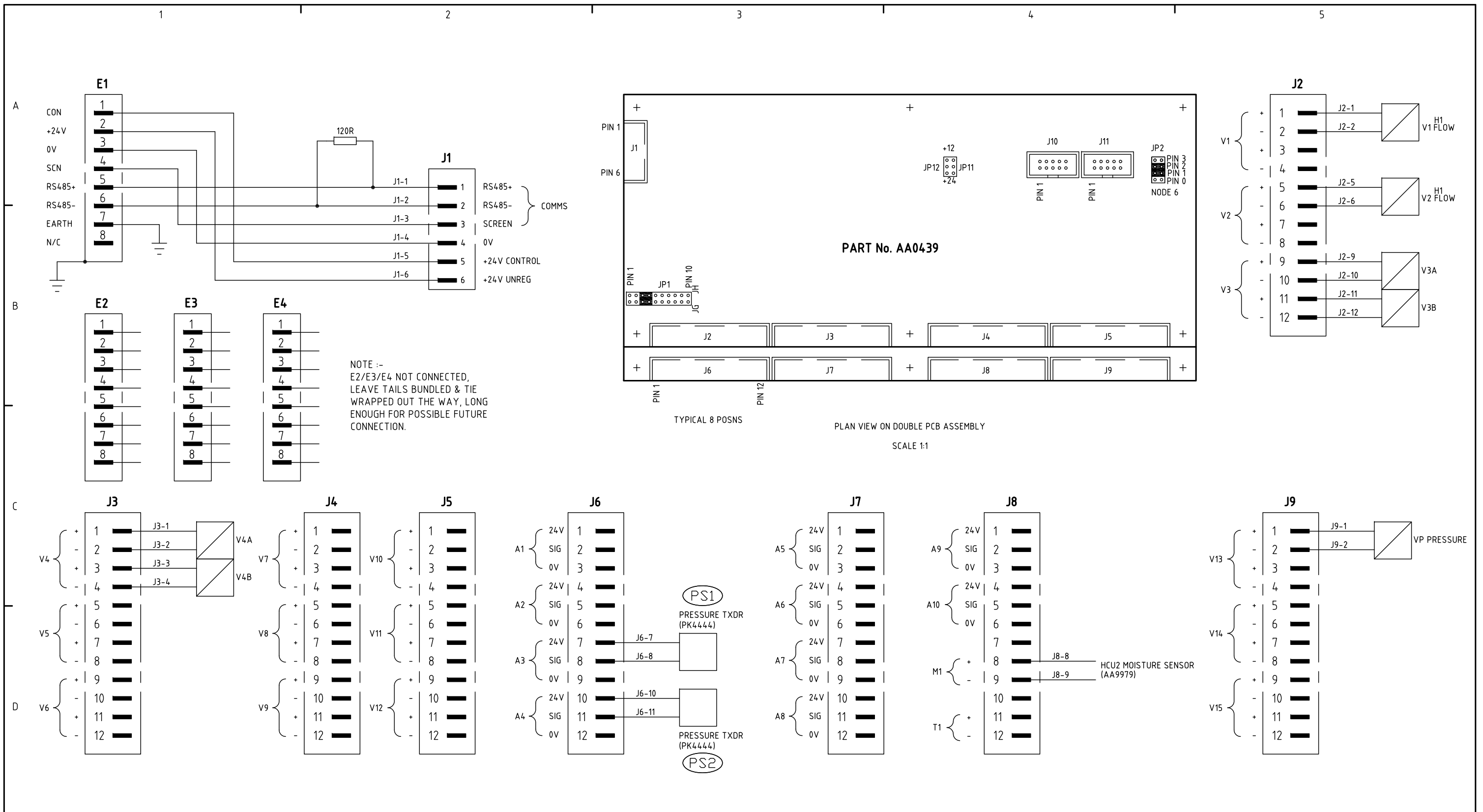
REV	DATE	CHANGE COMMENT	ZONE	DRAWN	CHECKED	APPRO	DATE	EST. MASS	DIMENSIONS	SCALE	PROJECTION	TITLE	
1	22 AUG 12	COVER AND SIGHT GLASS REPLACED, BOM RE-ORDERED	N/A	LO	NRC	NRC	02-MAY-12	26 kg	mm	1:2	3RD	ASSEMBLY 4 STATION HIGH FLOW HCU	
2	12-SEPT-12	TEMPERATURE WELL REMOVED & HYD SCHEMATIC UPDATED	N/A	RG	NRC	NRC							
3	19-SEPT-12	CHANGES TO SHEET 3	N/A	AT	MMc	POW			TOLERANCES UNLESS OTHERWISE STATED				
4	25-SEPT-12	CHANGES TO SHEET 3	N/A	AT	KS	POW			DIMENSIONS mm (UP TO 100 TO 0.05) TO COVER			MATERIAL :-	
5	19-OCT-12	CHANGES TO SHEET 3	N/A	PC	AT	POW			FABRICATION	±1.0	±1.5	±2.0	±3.0
6	15-JAN-14	COVER AND FITTINGS REVISED, CHANGES TO SHTS 2 & 3	N/A	LO	NRC	NRC			MACHINED PART	±0.15	±0.4	±0.8	±1.0



REV No	DATE	CHANGE	ZONE	DRAWN	CHECKED	APPROVED	TITLE						
1	09-AUG-12	SEE SHEET 1	N/A	LO	NRC	NRC	ASSEMBLY 4 STATION HIGH FLOW HCU (HYDRAULIC SCHEMATIC)						
2	17-SEPT-12	SEE SHEET 1	N/A	RG	NRC	NRC							
3	19-SEPT-12	CHANGES TO SHEET 3	N/A	AT	KS	PDW							
4	25-SEPT-12	CHANGES TO SHEET 3	N/A	AT	KS	PDW							
5	18-OCT-12	CHANGES TO SHEET 3	N/A	PC	AT	PDW							
6	16-JAN-14	PORT NUMBERING REVISED. VALVE ID'S ADDED. CHANGES TO SHT'S 1 & 3	N/A	LO	NRC	NRC							
							DESIGNED	DRAWN	CHECKED	APPROVED	DATE	DRAWING NO.	REV No.
							NRC	NRC	WW	JPG	16/08/12	AF8838	6
												SHEET 2 OF 3	

ALL INTELLECTUAL PROPERTY RIGHTS SUBSISTING IN THESE DESIGNS ARE THE PROPERTY OF SOIL MACHINE DYNAMICS LTD. NO COPY IS TO BE MADE WITHOUT THE WRITTEN PERMISSION OF SOIL MACHINE DYNAMICS LTD. ANY PATENT APPLICATIONS, PATENTS AND/OR DESIGN APPLICATIONS, REGISTERED DESIGNS, DESIGN RIGHTS OR COPYRIGHT ARISING FROM OR CONTAINED IN THE DESIGNS ARE THE PROPERTY OF SOIL MACHINE DYNAMICS LTD AND ALL INFORMATION MUST BE HELD IN THE STRICTEST CONFIDENCE

Soil Machine Dynamics Ltd
A3



REV No	DATE	CHANGE	ZONE	DRAWN	CHECKED	APPROVED	TITLE						
1	09-AUG-12	SEE SHEET 1	N/A	LO	NRC	NRC	ASSEMBLY 4 STATION HIGH FLOW HCU (ELECTRICAL WIRING)						
2	17-SEPT-12	SEE SHEET 1	N/A	RG	NRC	NRC							
3	19-SEPT-12	CONNECTORS E2/E3/E4 AND NOTE ADDED	B1/B2	AT	KS	PDW	DESIGNED	DRAWN	CHECKED	APPROVED	DATE	DRAWING NO.	REV No.
4	25-SEPT-12	J2 WIRING REMOVED & J8 WIRING MODIFIED	B5/D4	AT	KS	PDW	P.D.W.	P.D.W.	A.T.	K.S.	17/08/2012	AF8838	6
5	18-OCT-12	J2, J3, J8 AND J9 WIRING MODIFIED. J4 AND J5 LABELLING ADDED.	A5/C1-C5	PC	AT	PDW	SHEET 3 OF 3						
6	16-JAN-14	PORT NUMBERING REVISED. CHANGES TO SHT'S 1 & 2	N/A	LO	NRC	NRC							

ALL INTELLECTUAL PROPERTY RIGHTS SUBSISTING IN THESE DESIGNS ARE THE PROPERTY OF SOIL MACHINE DYNAMICS LTD. NO COPY IS TO BE MADE WITHOUT THE WRITTEN PERMISSION OF SOIL MACHINE DYNAMICS LTD. ANY PATENT APPLICATIONS, PATENTS AND/OR DESIGN APPLICATIONS, REGISTERED DESIGNS, DESIGN RIGHTS OR COPYRIGHT ARISING FROM OR CONTAINED IN THE DESIGNS ARE THE PROPERTY OF SOIL MACHINE DYNAMICS LTD AND ALL INFORMATION MUST BE HELD IN THE STRICTEST CONFIDENCE