



COMPENSATORS

With over 20 years of subsea manufacturing experience SMD can offer a range of Curvetech® compensators from a wide range of field proven reliable configurations. All Curvetech® compensators are designed for long-term reliability, simplicity and ease of use.

Monitoring vehicle oil condition is crucial during operations to ensure that the vehicle is functioning correctly. Entrained air, milky looking oil or even small items of debris within the oil are early warning signs that something is amiss with the machine and needs assessment. Capturing these issues early can significantly reduce consequential damage to other hydraulic components within the system. Curvetech® compensators (2.75l, 3l & 6l) have been designed with 100% visually clear windows allowing operators to easily view the oil condition. Industry standard and high reliability Rota transducers are also available and are retrofittable to all compatible units. Integrated relief valves and air bleed points are included on the majority of Curvetech® compensator units and rolling diaphragms ensure no sliding seal surfaces for ultimate system integrity. Curvetech® compensators are compatible with mineral oils and HEES oils as standard – for other oil types please enquire.

Optional mounting kits are also available which allow reduced swap-out time - quick mounting and replacement of compensators is achieved via a single bolt whilst keeping them rigidly mounted to the vehicle for operations.

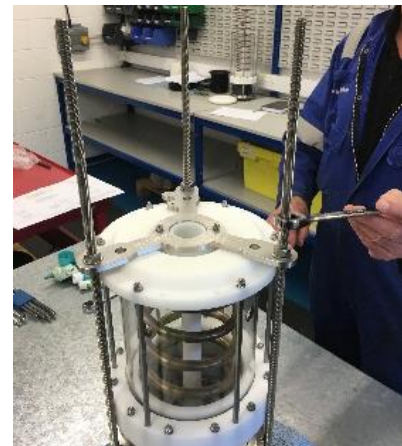
FEATURES

- Range of standard sizes
- Range of spring rates
- Simple & rugged construction
- Easy maintenance
- Available with analogue alarms for continual monitoring
- Customisation service to suit client requirements



ACCESSORIES

Part Number	Description
AJ7395	Compensator Spring Compression Tool Kit
AJ9084	2.75L Compensator (Single Spring) Mounting Kit
AJ9157	2.75L Compensator (Dual Spring) Mounting Kit
AJ9085	3L & 6L Compensator Quick Mounting Kit
EV_4003-SP MK2	Seal Kit for EV_4003-28 onwards
EV_4006-SP MK2	Seal Kit for EV_4006-7 onwards and EV_4007-xx
EV_4012-1	Assembly Kit 1PT Compensator Empty Indicator c/w whip
AK0722	Tool Oil Transfer Pump and Filter (Parker Guardian)



Compensator Spring Compression Tool Kit

COMPENSATOR SIZES & VARIANTS¹

Part Number	Capacity		Pressure at Empty		Pressure at Full		Transducer	Connector	Connector Spec	Free Port Details
	l	pt	Bar	PSI	Bar	PSI				
EV_4002-xx	0.50	0.88	0.13	1.9	0.57	8.3	No	Low level alarm kit option Part Number EV_4012-1	1 x 1/4"BSP & 1 x 3/8"BSP	
			0.17	2.5	0.34	5.0				
EV_4001-xx	1.5	2.64	0.24	3.5	0.88	12.8	No	Level sensors and alarm kit options Part Number EV_4011-xx Contact SMD for options	1/2" NPT	
			0.12	1.7	0.44	6.4				
			0.08	1.2	0.29	4.3				
EV_4003-xx	2.75	4.84	0.17	2.5	0.34	5.0	No	None	None	5 x 9/16"UNF
			0.40	6.0	0.80	12.0		Subconn / Impulse	MCBH3M	
							MCHD8FSS			
			1.00	14.5	2.00	29.0	Yes	Seacon	5507-1508	3 x 7/16"UNF & 2 x 9/16"UNF
								Burton	5507-1508	
EV_4007-xx	3.00	5.28	0.23	3.3	0.41	5.9	No	None	None	5 x 3/8"BSP
			0.90	13.1	1.60	23.2		Yes	Subconn / Impulse	
							Burton		5507-1508	5 x 9/16"-18 (SAE #6)
			Seacon	5507-1508	3 x 1/2"BSP & 2 x 3/4"BSP					
EV_4006-xx	6.00	10.56	0.07	1.0	0.41	6.0	No	None	None	3 x 1/2"BSP & 2 x 3/4"BSP
			0.14	2.0	0.83	12.0		Subconn / Impulse	MCBH3M	
			0.25	3.6	1.67	24.2	Yes	Burton	5507-1508	2 x 3/4"BSP & 2 x 3/8"BSP & 3 x 1/4"BSP
								Seacon	5507-1508	2 x 3/4"BSP & 2 x 3/8"BSP & 3 x 1/4"BSP & 1x1" SAE3000

Larger capacity (11 - 100 Litre) versions are available on request

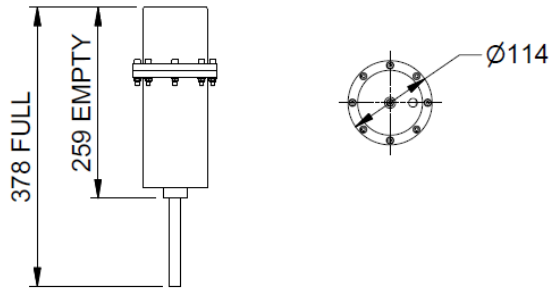
Notes:

¹See following table for standard compensator assemblies.

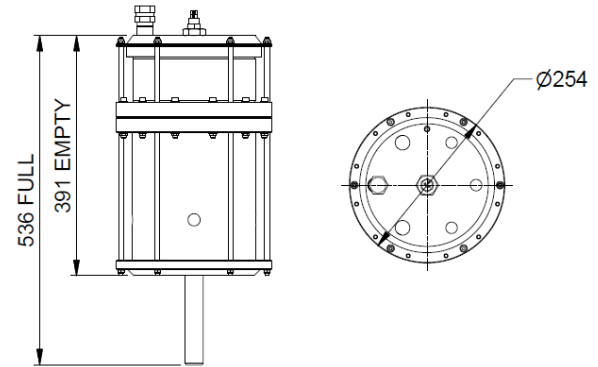
²Customised compensators can also be provided to suit specific customer requirements subject to minimum order values.



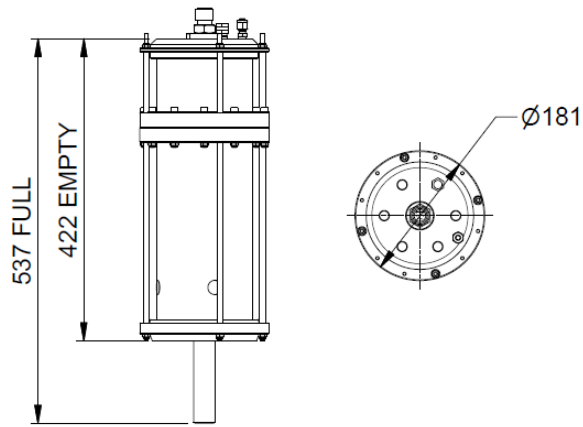
EV4002-1 MK-2 0.5L



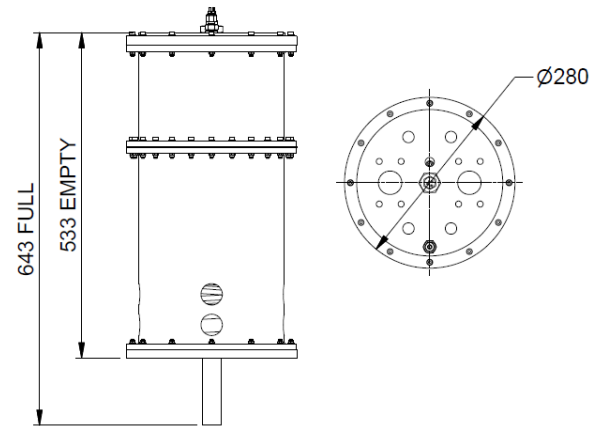
EV4006-7 6.0L



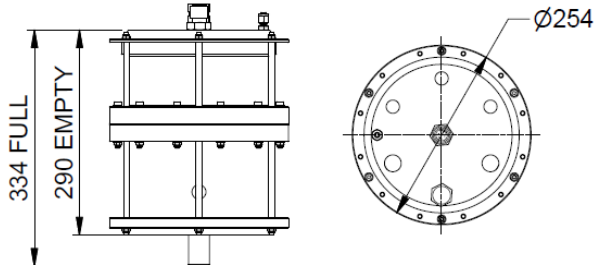
EV4003-31 2.75L



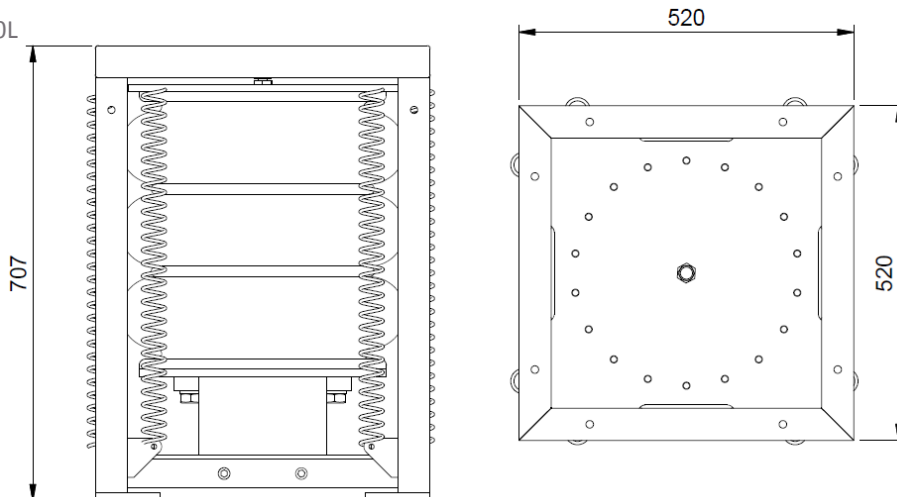
EV4010-7 10.0L



EV4007-1 3.0L

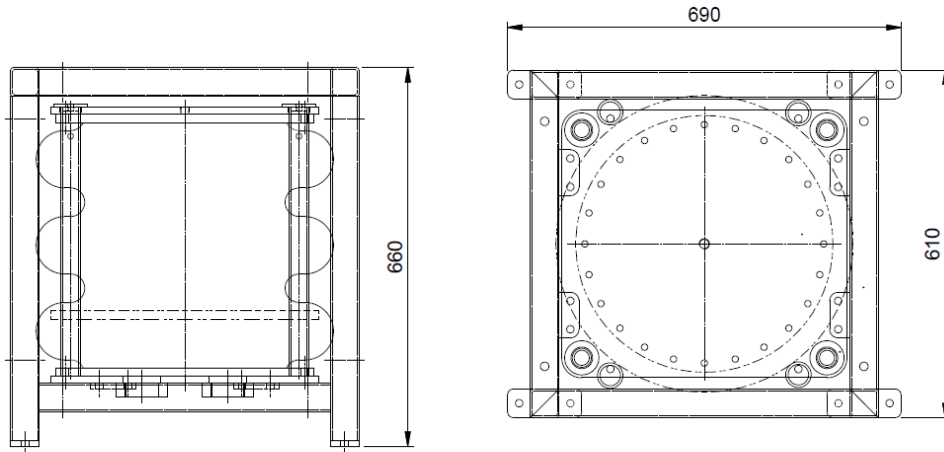


EV4032-1 45.0L

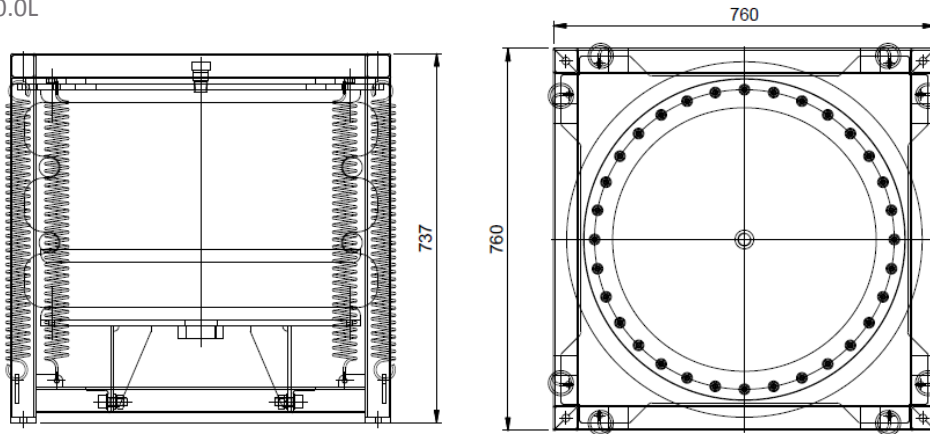




EV4030-1 45.0L



EV4031-1 100.0L



Note! Images shown are not to scale and are for information purposes only

STANDARD COMPENSATOR PART NUMBERS & SPECIFICATIONS

Part Number	Capacity		Pressure at Empty		Pressure at Full		Transducer	Connector	Connector Spec	Free Port Details ¹
	l	pt	Bar	PSI	Bar	PSI				
EV_4002-1 Mk-2	0.50	0.88	0.13	1.9	0.57	8.3	-	-	-	1 x 1/4"BSP & 1 x 3/8"BSP
EV_4002-8 Mk-2	0.50	0.88	0.17	2.5	0.34	5.0	-	-	-	1 x 1/4"BSP & 1 x 3/8"BSP
EV_4001-2	1.5	2.64	0.24	3.5	0.88	12.8	✓	Subconn / Impulse	LPBH4FSS	1/2" NPT
EV_4001-3	1.5	2.64	0.12	1.7	0.44	6.4	✓	Subconn / Impulse	LPBH4FSS	1/2" NPT
EV_4001-4	1.5	2.64	0.08	1.2	0.29	4.3	✓	Subconn / Impulse	LPBH4FSS	1/2" NPT
EV_4003-28	2.75	4.84	0.17	2.5	0.34	5.0	✓	Subconn / Impulse	MCBH3M	5 x 9/16"UNF
EV_4003-29	2.75	4.84	0.17	2.5	0.34	5.0	-	-	-	5 x 9/16"UNF
EV_4003-30	2.75	4.84	0.40	6.0	0.80	12.0	✓	Subconn / Impulse	MCBH3M	5 x 9/16"UNF
EV_4003-31	2.75	4.84	0.17	2.5	0.34	5.0	✓	Burton	5507-1508	5 x 9/16"UNF
EV_4003-32	2.75	4.84	1.00	14.5	2.00	29.0	✓	Burton	5507-1508	5 x 9/16"UNF
EV_4003-33	2.75	4.84	0.17	2.5	0.34	5.0	✓	Subconn / Impulse	MCBH8FSS	5 x 9/16"UNF
EV_4003-34	2.75	4.84	1.00	14.5	2.00	29.0	✓	Subconn / Impulse	MCBH8FSS	5 x 9/16"UNF
EV_4003-35	2.75	4.84	1.00	14.5	2.00	29.0	✓	Seacon	5507-1508	5 x 9/16"UNF
EV_4003-36	2.75	4.84	1.00	14.5	2.00	29.0	-	-	-	5 x 9/16"UNF
EV_4003-38	2.75	4.84	0.17	2.5	0.34	5.0	✓	Seacon	5507-1508	5 x 9/16"UNF
EV_4003-39	2.75	4.84	0.17	2.5	0.34	5.0	✓	Subconn / Impulse	MHDG-9-BCR	3 x 7/16"UNF & 2 x 9/16"UNF
EV_4003-41	2.75	4.84	0.17	2.5	0.34	5.0	✓	Subconn / Impulse	MHDG-9-BCR	3 x 7/16"UNF & 2 x 9/16"UNF
EV_4007-1	3.00	5.28	0.90	13.1	1.60	23.2	✓	Burton	5507-1508	3 x 1/2"BSP & 2 x 3/4"BSP
EV_4007-2	3.00	5.28	0.23	3.3	0.41	5.9	✓	Burton	5507-1508	5 x 3/8"BSP
EV_4007-3	3.00	5.28	0.90	13.1	1.60	23.2	✓	Subconn / Impulse	MCBH3M	3 x 1/2"BSP & 2 x 3/4"BSP
EV_4007-4	3.00	5.28	0.23	3.3	0.41	5.9	✓	Subconn / Impulse	MCBH3M	5 x 3/8"BSP
EV_4007-5	3.00	5.28	0.23	3.3	0.41	5.9	✓	Seacon	5507-1508	5 x 9/16"-18 (SAE #6)
EV_4006-7	6.00	10.56	0.14	2.0	0.83	12.0	✓	Subconn / Impulse	MCBH3M	3 x 1/2"BSP & 2 x 3/4"BSP
EV_4006-8	6.00	10.56	0.14	2.0	0.83	12.0	✓	Subconn / Impulse	MCBH3M	2 x 3/4"BSP & 2 x 3/8"BSP & 3 x 1/4"BSP & 1x1" SAE3000
EV_4006-9	6.00	10.56	0.25	3.6	1.70	24.7	✓	Subconn / Impulse	MCBH3M	3 x 1/2"BSP & 2 x 3/4"BSP
EV_4006-11	6.00	10.56	0.14	2.0	0.83	12.0	-	-	-	3 x 1/2"BSP & 2 x 3/4"BSP
EV_4006-12	6.00	10.56	0.07	1.0	0.41	6.0	✓	Seacon	5507-1508	3 x 1/2"BSP & 2 x 3/4"BSP
EV_4006-13	6.00	10.56	0.14	2.0	0.83	12.0	✓	Burton	5507-1508	2 x 3/4"BSP & 2 x 3/8"BSP & 3 x 1/4"BSP & 1x1" SAE3000
EV_4006-15	6.00	10.56	0.14	2.0	0.83	12.0	✓	Subconn / Impulse	MCBH8FSS	2 x 3/4"BSP & 2 x 3/8"BSP & 3 x 1/4"BSP
EV_4006-16	6.00	10.56	0.25	3.6	1.67	24.2	✓	Burton	5507-1508	3 x 1/2"BSP & 2 x 3/4"BSP



Part Number	Capacity		Pressure at Empty		Pressure at Full		Transducer	Connector	Connector Spec	Free Port Details ¹
	l	pt	Bar	PSI	Bar	PSI				
EV_4006-17	6.00	10.56	0.14	2.0	0.83	12.0	✓	Seacon	5507-1508	2 x 3/4"BSP & 2 x 3/8"BSP & 3 x 1/4"BSP & 1x1" SAE3000
EV_4006-18	6.00	10.56	0.07	1.0	0.41	6.0	✓	Burton	5507-1508	3 x 1/2"BSP & 2 x 3/4"BSP
EV_4006-19	6.00	10.56	0.25	3.6	1.67	24.2	-	-	-	3 x 1/2"BSP & 2 x 3/4"BSP
EV_4006-20	6.00	10.56	0.07	1.0	0.41	6.0	✓	Seacon	5507-1508	5 x UNF 9/16"-18 (SAE#6)
EV_4006-21	6.00	10.56	0.25	3.6	1.67	24.2	✓	Seacon	5507-1508	3 x 1/2"BSP & 2 x 3/4"BSP