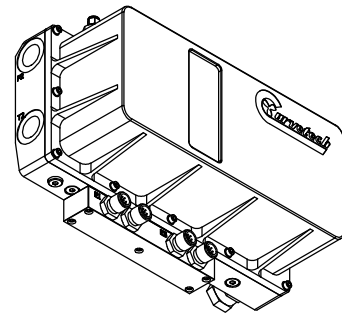


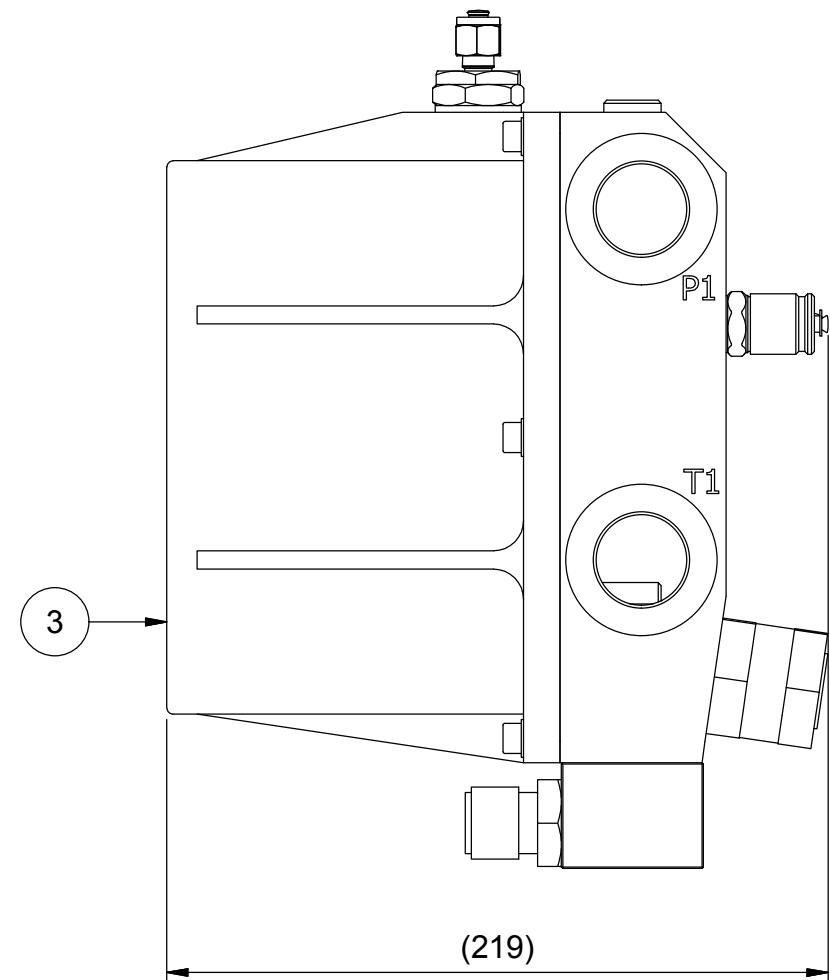
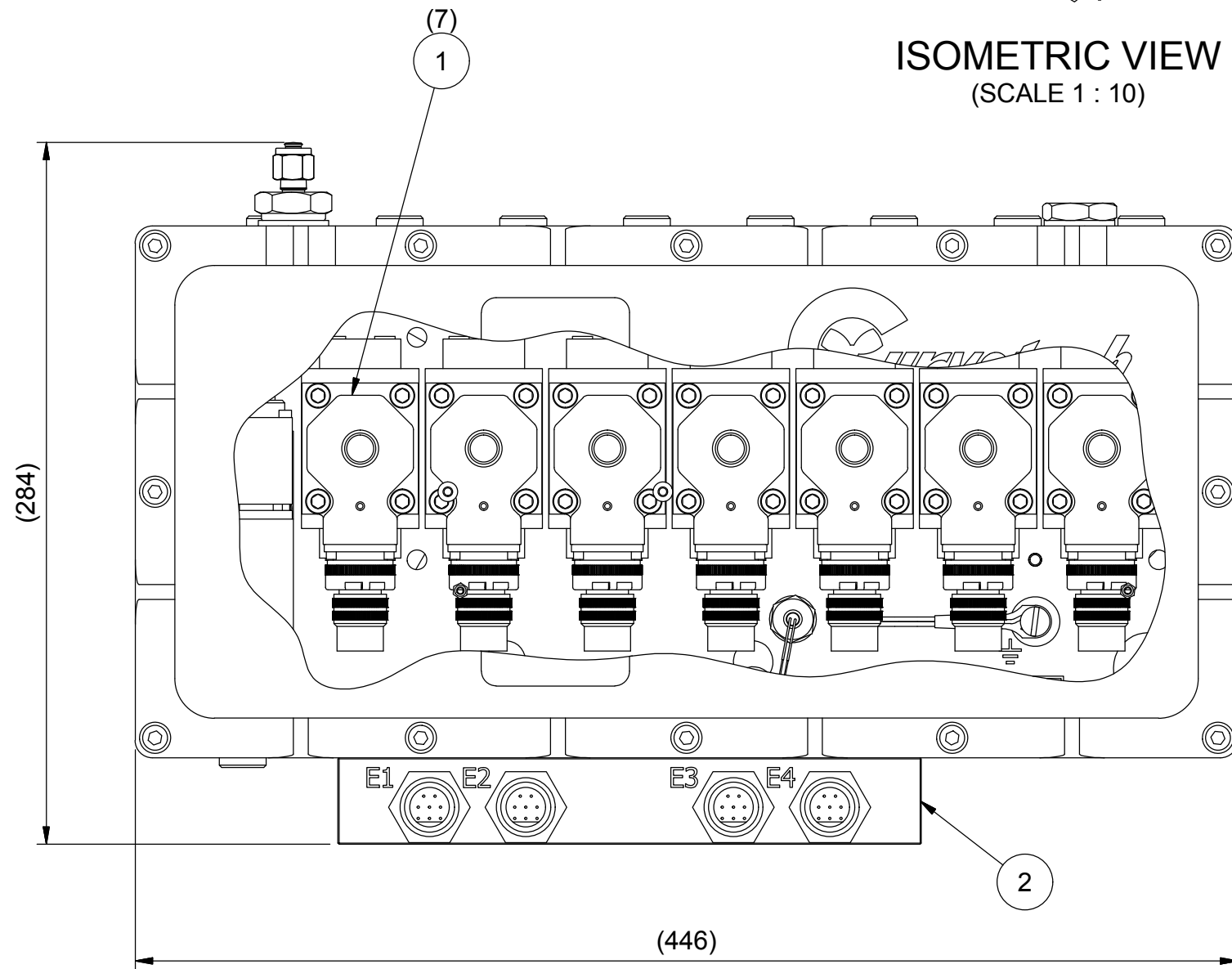
NOTES :-

1. ASSEMBLE IN ACCORDANCE WITH SMD SPECIFICATION W100



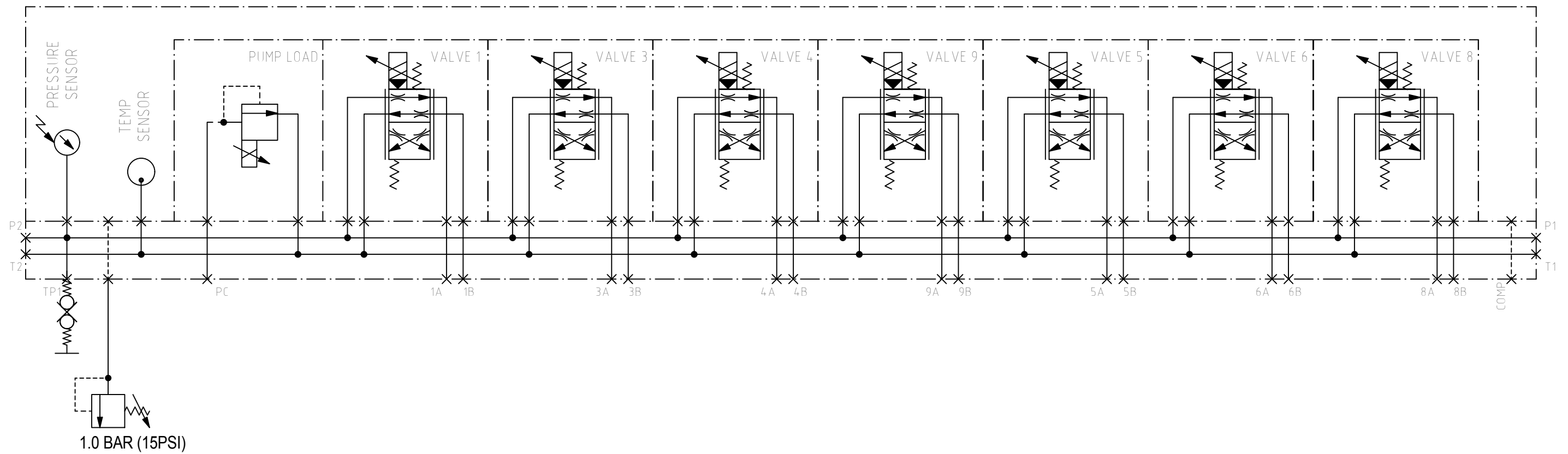
ISOMETRIC VIEW
(SCALE 1 : 10)

PARTS LIST				
ITEM	PART No	DESCRIPTION	QTY	COMMENT
1	AG2077	ASSEMBLY VALVE SERVO 57 LPM	7	
2	AH3924	ASSEMBLY TCU ELEC. MANIFOLD	1	
3	AH3973	ASSEMBLY 7 STATION iTCU HOUSING	1	
4	AH6654	DRAWING 6/7/8 STATION iTCU ELECTRICAL WIRING	1	NOT SHOWN



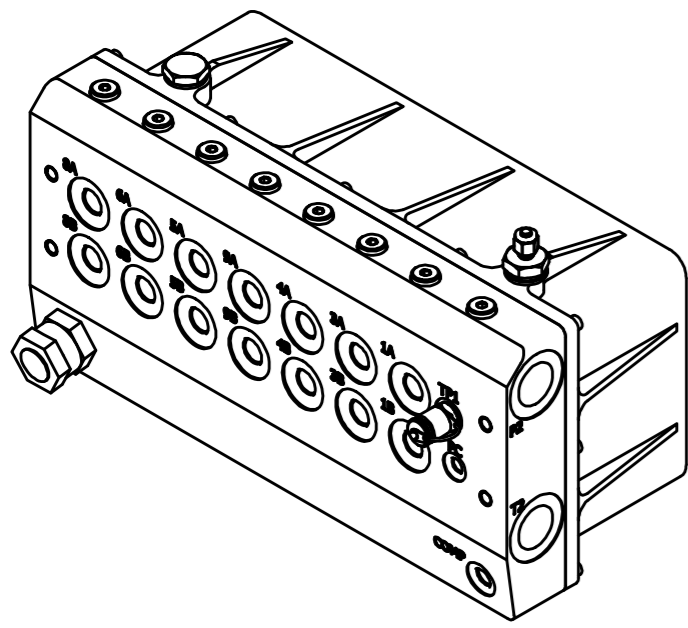
RELEASED FOR MANUFACTURE

REV	DATE	CHANGE COMMENT	DRAWN	CHECKED	APPD	DATE	EST. MASS	DIMENSIONS	SCALE	PROJECTION 3RD	TITLE		
1	22 APR 14	AH6654 ADDED, SHT 2 ADDED - HYD CIRCUIT	LO	JPG	JPG	10 FEB 14	N/A	mm	1 : 2.5		ASSEMBLY 7 STATION iTCU BURTON		
						DESIGNED	DRAWN	TOLERANCES UNLESS OTHERWISE STATED					
						PIB	LO	DIMENSIONS mm	UP TO 100	100 TO 300	300 TO 1000	OVER 1000	MATERIAL:- N/A
						CHECKED	APPROVED	FABRICATION	± 1.0	± 1.5	± 2.0	± 3.0	DO NOT SCALE IF IN DOUBT ASK
						NRC	NRC	MACHINED PART	± 0.15	± 0.4	± 0.8	± 1.0	
ALL INTELLECTUAL PROPERTY RIGHTS SUBSISTING IN THESE DESIGNS ARE THE PROPERTY OF SOIL MACHINE DYNAMICS LTD. NO COPY IS TO BE MADE WITHOUT THE WRITTEN PERMISSION OF SOIL MACHINE DYNAMICS LTD. ANY PATENT APPLICATIONS, PATENTS AND / OR DESIGN APPLICATIONS, REGISTERED DESIGNS, DESIGN RIGHTS OR COPYRIGHT ARISING FROM OR CONTAINED IN THE DESIGNS ARE THE PROPERTY OF SOIL MACHINE DYNAMICS LTD. AND ALL INFORMATION MUST BE HELD IN THE STRICTEST CONFIDENCE.													
Soil Machine Dynamics Ltd										DRAWING No		REV No.	SIZE
										AH6631		1	A3
SHEET 1 OF 2													

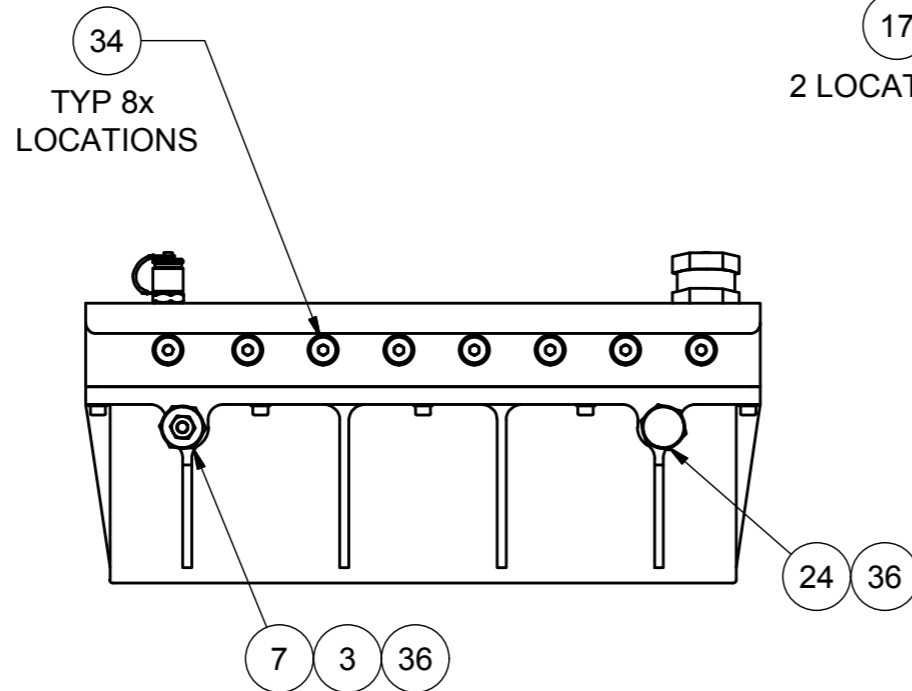


RELEASED FOR MANUFACTURE

REV	DATE	CHANGE COMMENT	DRAWN	CHECKED	APPD	DATE	EST. MASS	DIMENSIONS	SCALE	PROJECTION 3RD	TITLE					
2	22 APR 14	SEE SHT 1 - THIS SHEET ADDED	LO	JPG	JPG	22 APR 14	N/A	mm	NTS		ASSEMBLY 7 STATION iTCU BURTON					
						DESIGNED	DRAWN	TOLERANCES UNLESS OTHERWISE STATED								
						PIB	LO	DIMENSIONS mm	UP TO 100	100 TO 300	300 TO 1000	OVER 1000	MATERIAL:- N/A			
						CHECKED	APPROVED	FABRICATION	± 1.0	± 1.5	± 2.0	± 3.0	DO NOT SCALE IF IN DOUBT ASK	DRAWING No AH6631	REV No. 1	SIZE A3
						NRC	NRC	MACHINED PART	± 0.15	± 0.4	± 0.8	± 1.0				
<small>ALL INTELLECTUAL PROPERTY RIGHTS SUBSISTING IN THESE DESIGNS ARE THE PROPERTY OF SOIL MACHINE DYNAMICS LTD. NO COPY IS TO BE MADE WITHOUT THE WRITTEN PERMISSION OF SOIL MACHINE DYNAMICS LTD. ANY PATENT APPLICATIONS, PATENTS AND / OR DESIGN APPLICATIONS, REGISTERED DESIGNS, DESIGN RIGHTS OR COPYRIGHT ARISING FROM OR CONTAINED IN THE DESIGNS ARE THE PROPERTY OF SOIL MACHINE DYNAMICS LTD. AND ALL INFORMATION MUST BE HELD IN THE STRICTEST CONFIDENCE.</small>						Soil Machine Dynamics Ltd						SHEET 2 OF 2				



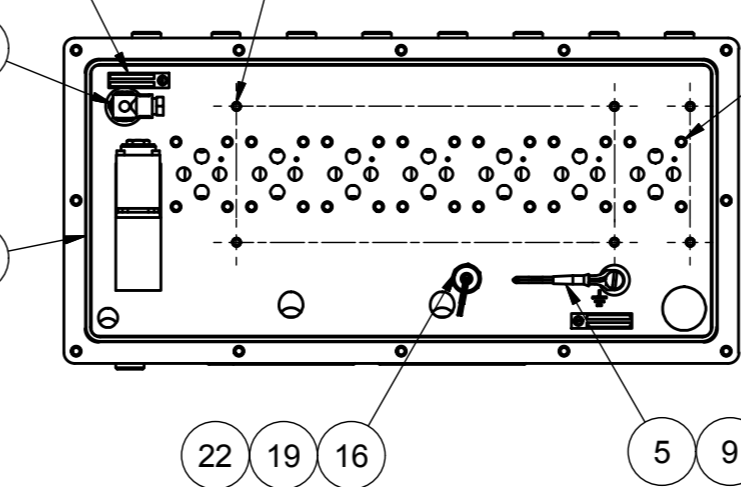
ISOMETRIC VIEW



2 LOCATIONS

TYP 6x LOCATIONS

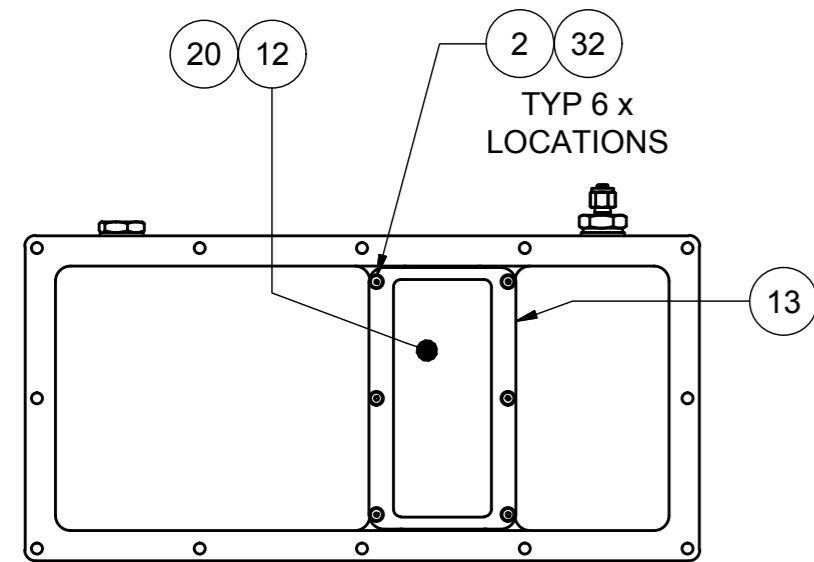
TYP 8x LOCATIONS



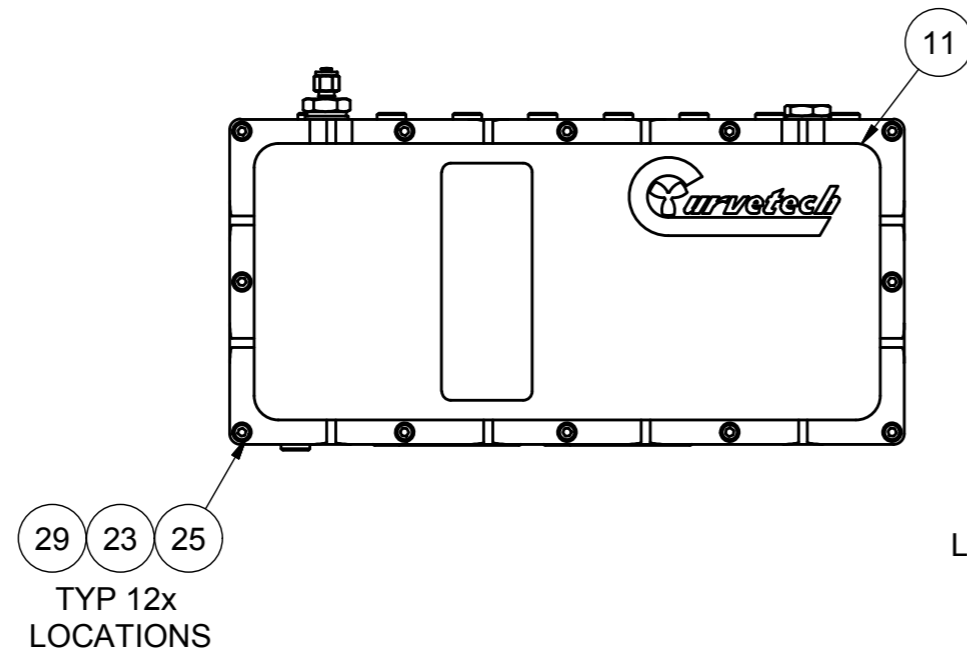
HOUSING OMITTED FROM VIEW TO SHOW INTERNALS

NOTES :-

1. ASSEMBLE IN ACCORDANCE WITH SMD SPECIFICATION W100

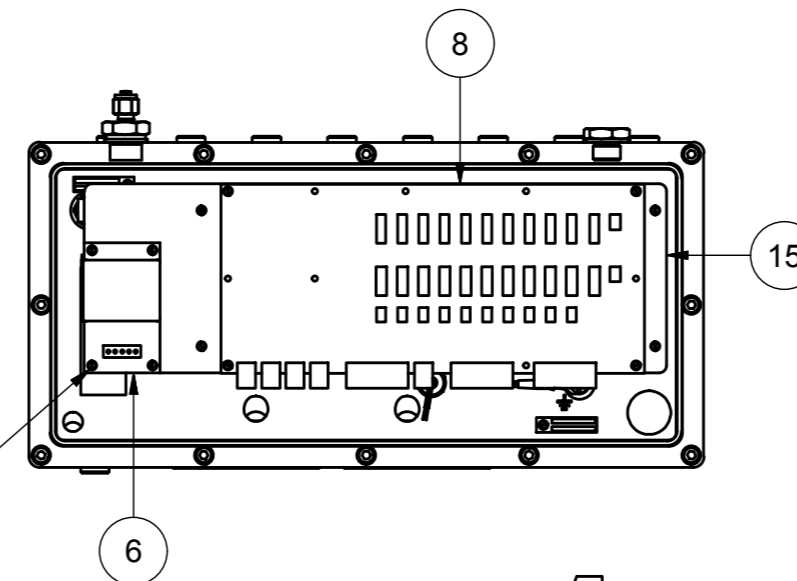


VIEW ON INSIDE OF COVER



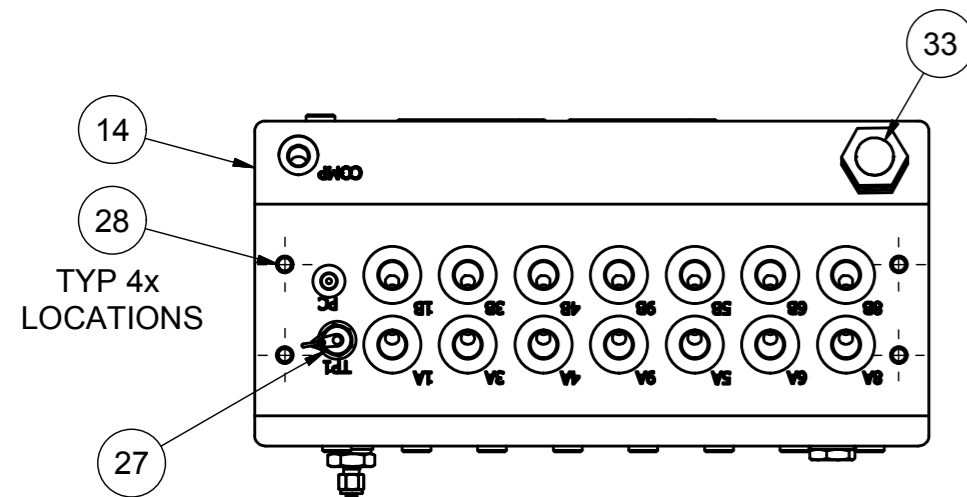
TYP 12x LOCATIONS

TYP 4x LOCATIONS

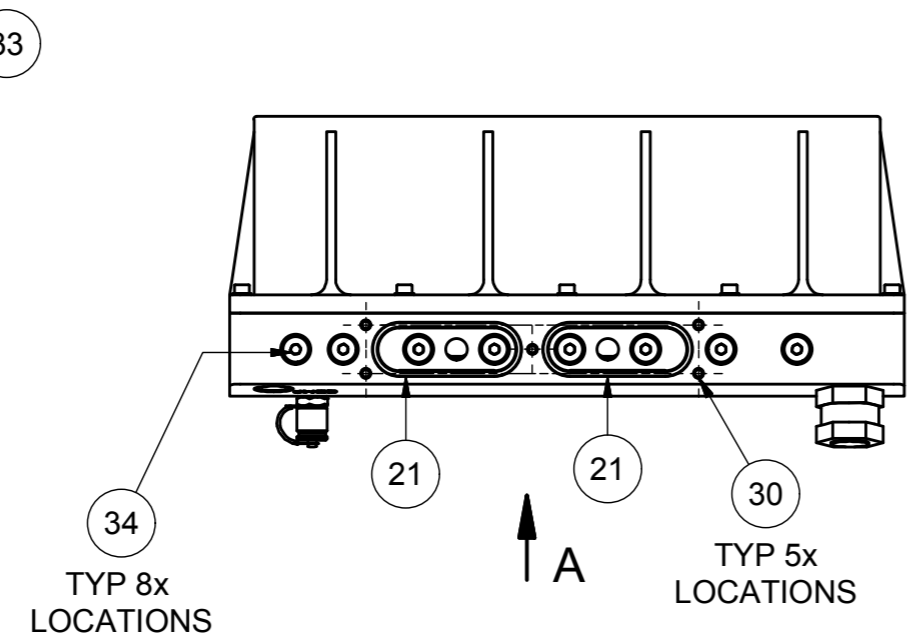


TYP 4x LOCATIONS

DETAIL B (SCALE 1 : 1)



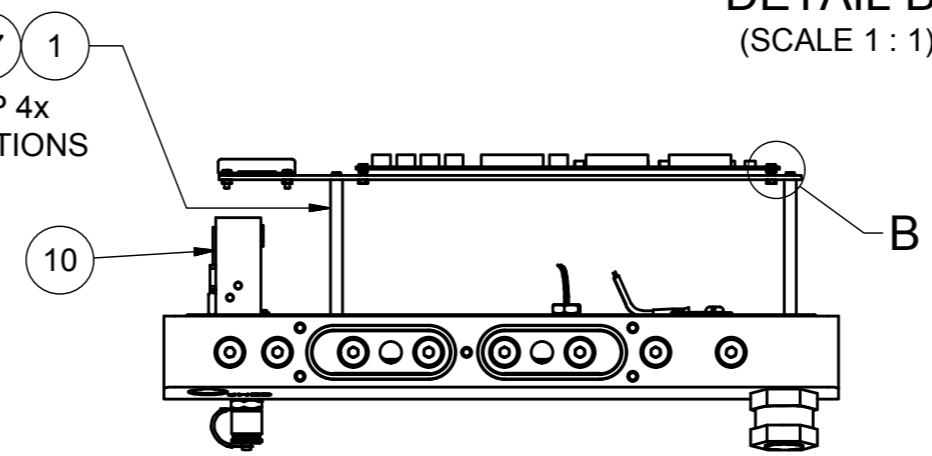
VIEW ON ARROW A



TYP 8x LOCATIONS

TYP 5x LOCATIONS

TYP 4x LOCATIONS



HOUSING OMITTED FROM ABOVE VIEWS TO SHOW PCB & FIXINGS

PARTS LIST			
ITEM	PART No	DESCRIPTION	QTY
1	AA1582	STANDOFF - TCU PCB	4
2	AA2745	BOLT M4 x 12 SKT CSK HD SS A2-70	6
3	AA3195	FITTING PLUG 1/4" SS A4 - SWAGELOK SS-400-P	1
4	AA9979	PCB WATER INGRESS SENSOR	2
5	AB0941	CABLE ACC RING CRIMP RED M6	1
6	AB7520	PCB BOARD PSU 24 - +12	1
7	AC0834	CONNECTOR MALE 1/2"BSP - 1/4" TUBE	1
8	AD6358	PCB MULTIFUNCTION TCU CONTROLLER	1
9	AE1504	BOLT M6 x 8 SLTD PAN HD SS A2-70	1
10	AF2307	ASSEMBLY PROP PRESSURE RELIEF VALVE	1
11	AG5442	HOUSING VALVE PACK 7 STATION TCU	1
12	AG5443	PLATE COVER SIGHT GLASS	1
13	AG5444	PLATE WINDOW RETAINER	1
14	AH3920	MANIFOLD 7 STATION SERVO TCU	1
15	AH5855	PLATE PCB MOUNT TCU	1
16	DI_3412	TEMPERATURE WELL	1
17	HRS1758065	BOLT M3 x 12 PAN HD SS	14
18	OC_30091	NUT M3 NYLOC SS A2-70	4
19	OC_9301	TEMPERATURE PROBE PT100	1
20	OR_1040	O RING CORD 3mm	2
21	OR_1214	SEAL O RING 0695-30	2
22	OW_1028	BONDED SEAL 1/8"BSPP SS	1
23	PA0546	WASHER M6 FLAT BS4320 FORM B SS A2	12
24	PB1126	FITTING PLUG 1/2" BSP HEX SS	1
25	PB9266	BOLT M6 x 20 SHCS SS A2-70	12
26	PC7718	NUT M3 SS	8
27	PD3852	TEST POINT 1/4" BSP SS	1
28	PD5639	HELICOIL INSERT M10 x 1.5D SS	4
29	PD5644	HELICOIL INSERT M6x1D SS	40
30	PD5645	INSERT HELICOIL M6 x 1.5D SS	5
31	PD5648	INSERT HELICOIL M5 x 1.5D SS	6
32	PD5953	HELICOIL INSERT M4x 1.5D SS	6
33	PF4529	VALVE RELIEF 15psi (1"NPT)	1
34	PJ8945	FITTING PLUG 1/4"BSP VSR SS	16
35	PK4444	PRESSURE SENSOR 0-400 bar 4-20mA	1
36	WA1079	SEAL BONDED 1/2"BSP SS-1.4436 (316S33)	2

REV	DATE	CHANGE COMMENT	ZONE	DRAWN	CHECKED	APPD	DATE	EST. MASS	DIMENSIONS	SCALE	PROJECTION 3RD	TITLE		
							05 DEC 13	18.1 kg	mm	1:5		ASSEMBLY 7 STATION ITCU HOUSING		
							DESIGNED	DRAWN	TOLERANCES UNLESS OTHERWISE STATED					
							PIB	TOB	DIMENSIONS mm	UP TO 100	100 TO 300	300 TO 1000	OVER 1000	MATERIAL:- N/A
							CHECKED	APPROVED	FABRICATION	± 1.0	± 1.5	± 2.0	± 3.0	DO NOT SCALE
							NRC	NRC	MACHINED PART	± 0.15	± 0.4	± 0.8	± 1.0	IF IN DOUBT ASK
											DRAWING No	REV No.	SIZE	
											AH3973	0	A2	
											SHEET 1 OF 1			

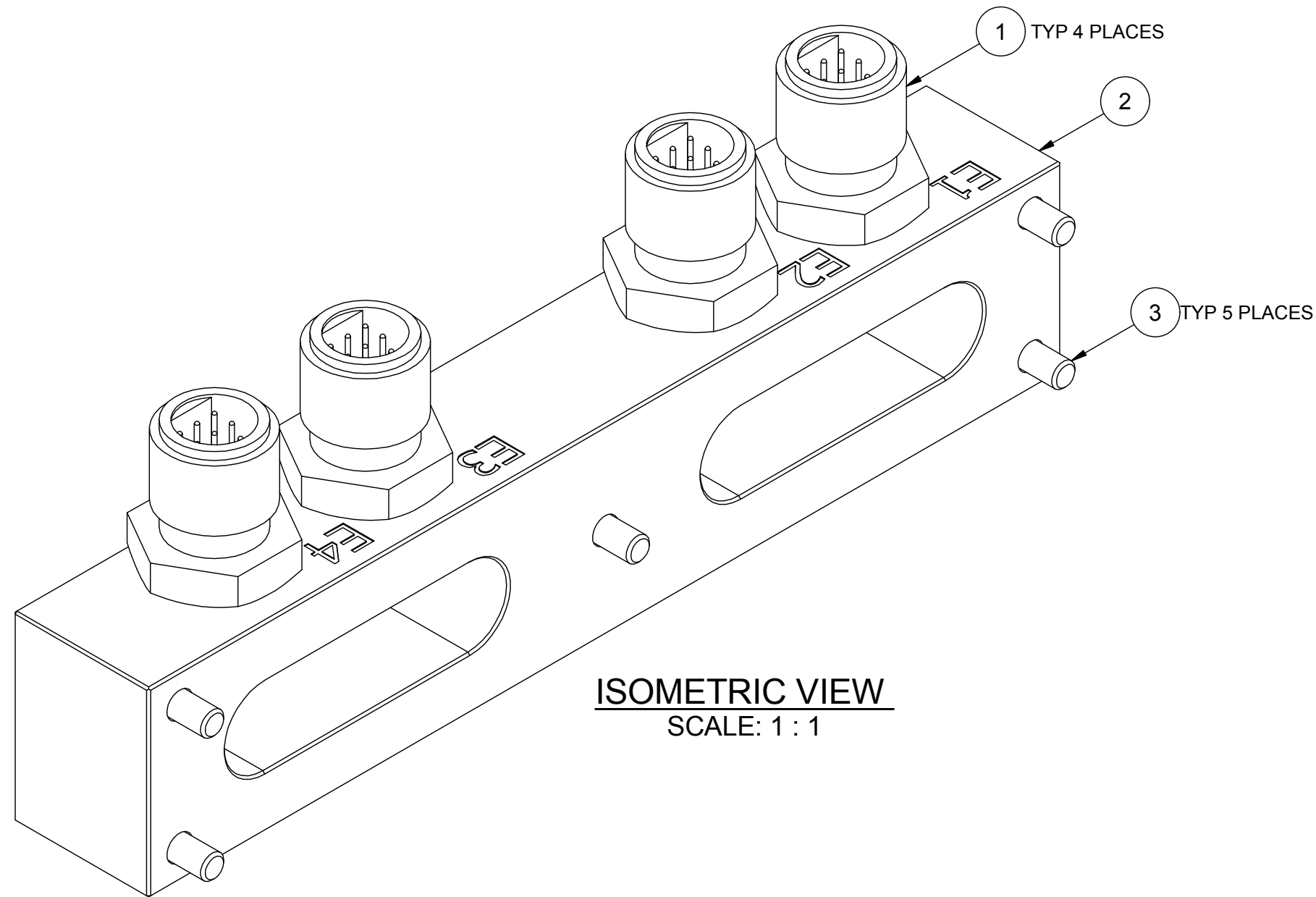
ALL INTELLECTUAL PROPERTY RIGHTS SUBSISTING IN THESE DESIGNS ARE THE PROPERTY OF SOIL MACHINE DYNAMICS LTD. NO COPY IS TO BE MADE WITHOUT THE WRITTEN PERMISSION OF SOIL MACHINE DYNAMICS LTD. ANY PATENT APPLICATIONS, PATENTS AND / OR DESIGN APPLICATIONS, REGISTERED DESIGNS, DESIGN RIGHTS OR COPYRIGHT ARISING FROM OR CONTAINED IN THE DESIGNS ARE THE PROPERTY OF SOIL MACHINE DYNAMICS LTD. AND ALL INFORMATION MUST BE HELD IN THE STRICTEST CONFIDENCE.

SMD Soil Machine Dynamics Ltd

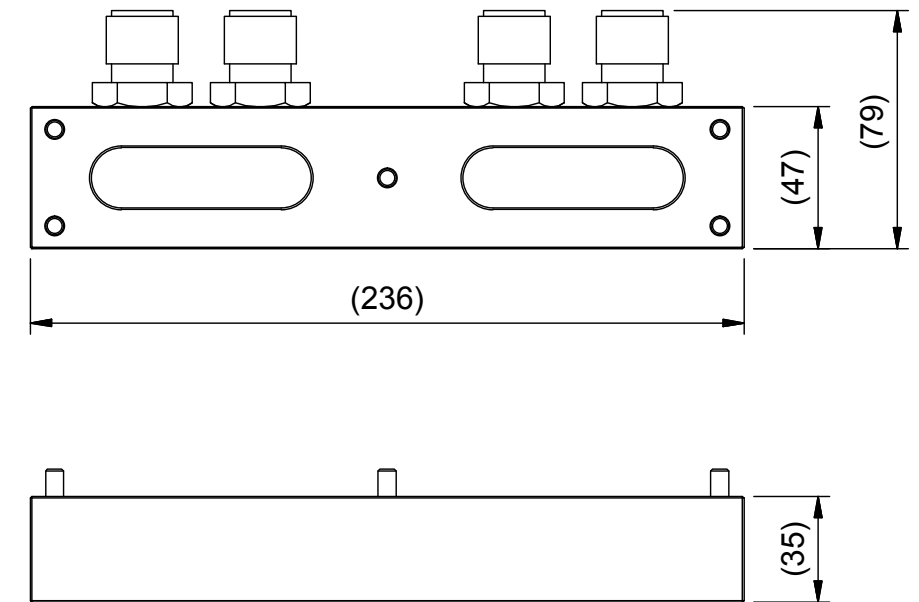
NOTES :-

1. ASSEMBLE IN ACCORDANCE WITH SMD SPECIFICATION W100

PARTS LIST			
ITEM	PART No	DESCRIPTION	QTY
1	AB0656	CONNECTOR 8 PIN BCR BURTON SS / 5507-1508-0004-PE	4
2	AH3923	MANIFOLD TCU ELEC	1
3	PB4770	BOLT M6 X 35 SHCS SS A2-70	5



ISOMETRIC VIEW
SCALE: 1 : 1



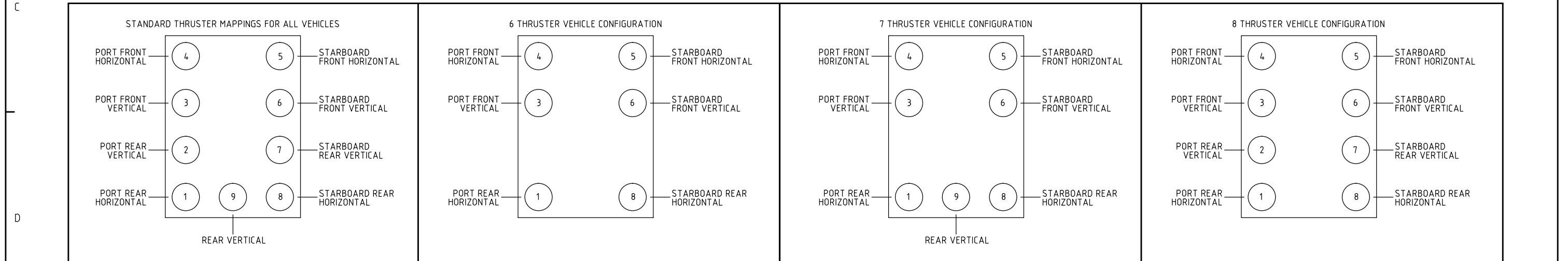
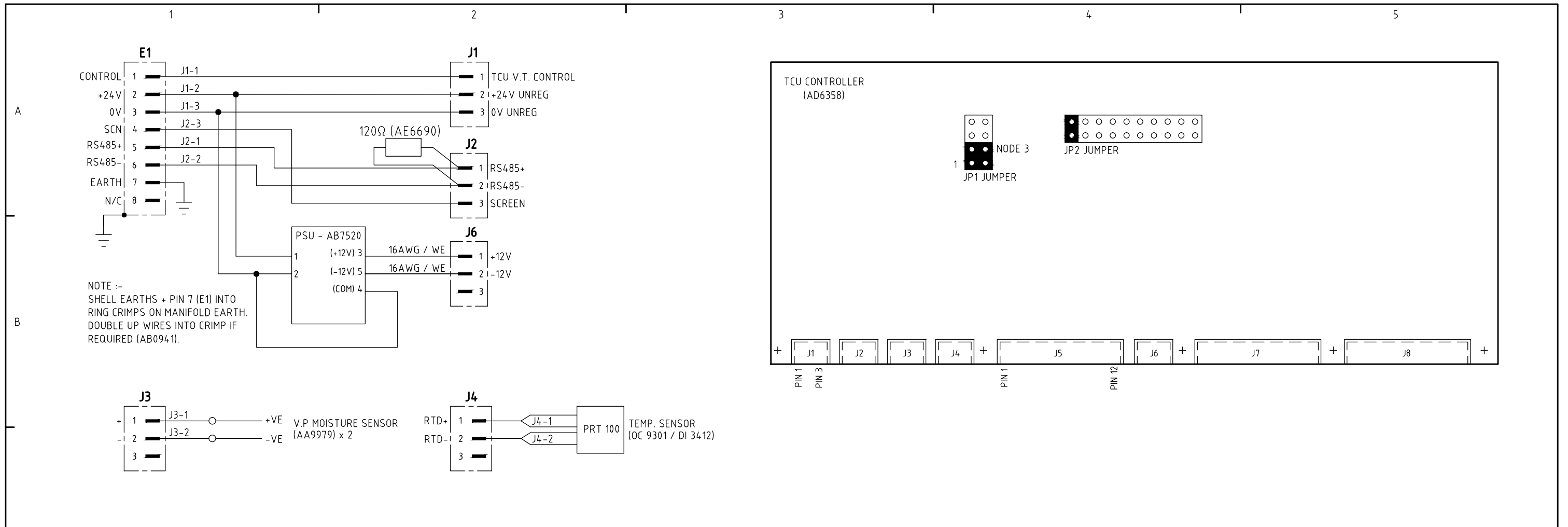
OVERALL DIMS

RELEASED FOR MANUFACTURE

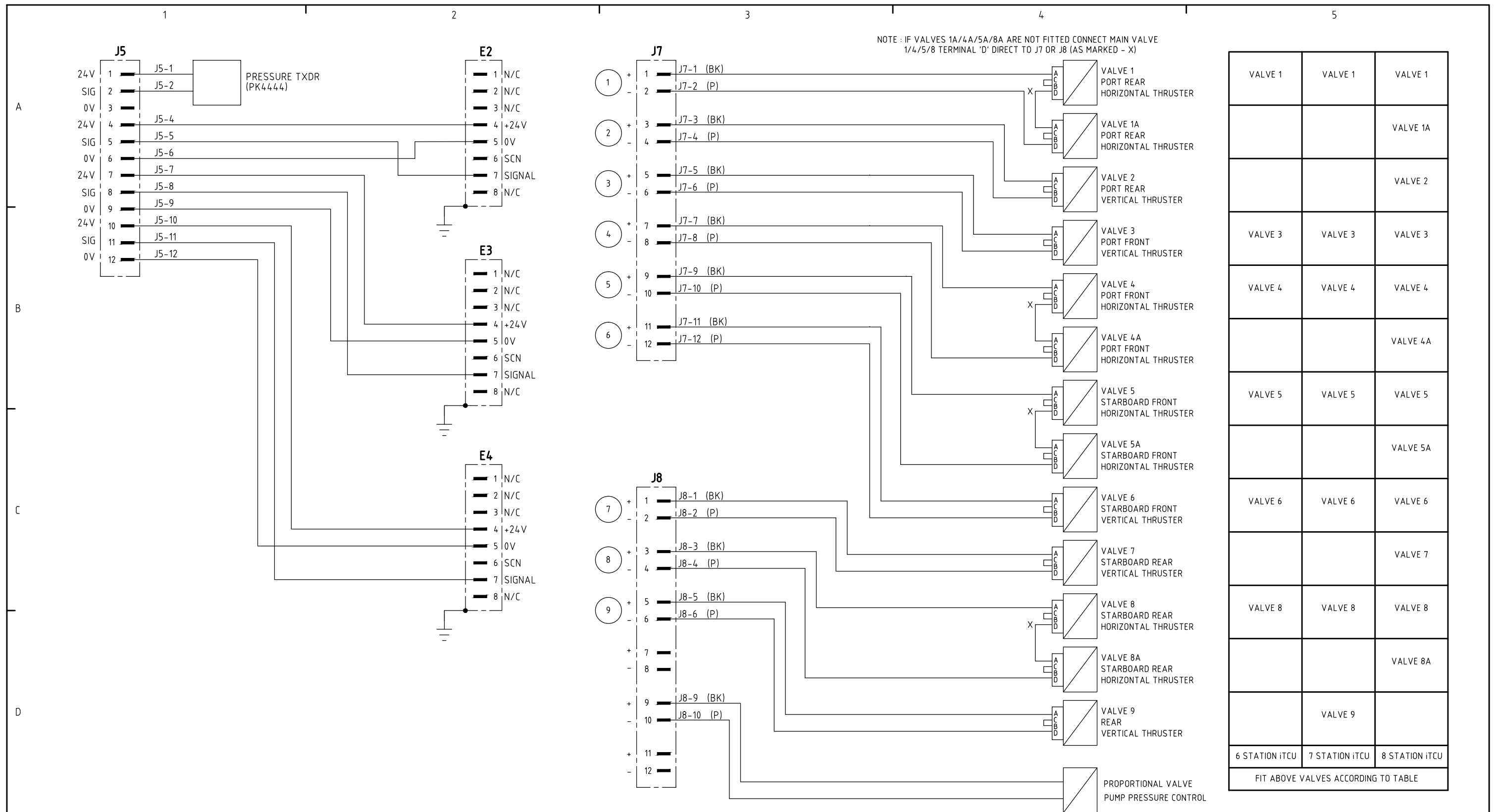
REV	DATE	CHANGE COMMENT	DRAWN	CHECKED	APPD	DATE	EST. MASS	DIMENSIONS	SCALE	PROJECTION 3RD	TITLE			
						30/JUL/13	0.8 kg	mm	1:2.5		ASSEMBLY TCU ELEC. MANIFOLD			
						DESIGNED: PIB, DRAWN: TOB, TOLERANCES UNLESS OTHERWISE STATED								
						CHECKED: NRC, APPROVED: NRC, FABRICATION: ± 1.0, MACHINED PART: ± 0.15, UP TO 100: ± 1.0, 100 TO 300: ± 1.5, 300 TO 1000: ± 2.0, OVER 1000: ± 3.0, MATERIAL:- N/A								
											DO NOT SCALE IF IN DOUBT ASK	DRAWING No	REV No.	SIZE
												AH3924	0	A3
											SHEET 1 OF 1			

ALL INTELLECTUAL PROPERTY RIGHTS SUBSISTING IN THESE DESIGNS ARE THE PROPERTY OF SOIL MACHINE DYNAMICS LTD. NO COPY IS TO BE MADE WITHOUT THE WRITTEN PERMISSION OF SOIL MACHINE DYNAMICS LTD. ANY PATENT APPLICATIONS, PATENTS AND / OR DESIGN APPLICATIONS, REGISTERED DESIGNS, DESIGN RIGHTS OR COPYRIGHT ARISING FROM OR CONTAINED IN THE DESIGNS ARE THE PROPERTY OF SOIL MACHINE DYNAMICS LTD. AND ALL INFORMATION MUST BE HELD IN THE STRICTEST CONFIDENCE.





REV No	DATE	CHANGE	ZONE	DRAWN	CHECKED	APPROVED	TITLE						
1	10 APR 14	RE-DRAWN AS UNIVERSAL WIRING FOR ALL iTCU VARIANTS	N/A	PDW	KS	JPG	DRAWING 6/7/8 STATION iTCU (ELECTRICAL WIRING)						
2	15-MAY-14	REMOVED "BURTON" FROM TITLE	N/A	JGC	PWD	PDW							
							DESIGNED	DRAWN	CHECKED	APPROVED	DATE	DRAWING NO.	REV No.
							P.D.W.	P.D.W.	KS	JPG	10 APR 14	AH6654	2
							SHEET 1 OF 2						
ALL INTELLECTUAL PROPERTY RIGHTS SUBSISTING IN THESE DESIGNS ARE THE PROPERTY OF SOIL MACHINE DYNAMICS LTD. NO COPY IS TO BE MADE WITHOUT THE WRITTEN PERMISSION OF SOIL MACHINE DYNAMICS LTD. ANY PATENT APPLICATIONS, PATENTS AND/OR DESIGN APPLICATIONS, REGISTERED DESIGNS, DESIGN RIGHTS OR COPYRIGHT ARISING FROM OR CONTAINED IN THE DESIGNS ARE THE PROPERTY OF SOIL MACHINE DYNAMICS LTD AND ALL INFORMATION MUST BE HELD IN THE STRICTEST CONFIDENCE							Soil Machine Dynamics Ltd					A3	



REV No	DATE	CHANGE	ZONE	DRAWN	CHECKED	APPROVED
1	10 APR 14	RE-DRAWN AS UNIVERSAL WIRING FOR ALL iTCU VARIANTS	N/A	PDW	KS	JPG
2	15-MAY-14	REMOVED "BURTON" FROM TITLE	N/A	JGC	PWD	PDW

TITLE						DRAWING NO.	REV No.
DESIGNED	DRAWN	CHECKED	APPROVED	DATE			
P.D.W.	P.D.W.	KS	JPG	10 APR 14	AH6654	2	
						SHEET 2 OF 2	

ALL INTELLECTUAL PROPERTY RIGHTS SUBSISTING IN THESE DESIGNS ARE THE PROPERTY OF SOIL MACHINE DYNAMICS LTD. NO COPY IS TO BE MADE WITHOUT THE WRITTEN PERMISSION OF SOIL MACHINE DYNAMICS LTD. ANY PATENT APPLICATIONS, PATENTS AND/OR DESIGN APPLICATIONS, REGISTERED DESIGNS, DESIGN RIGHTS OR COPYRIGHT ARISING FROM OR CONTAINED IN THE DESIGNS ARE THE PROPERTY OF SOIL MACHINE DYNAMICS LTD AND ALL INFORMATION MUST BE HELD IN THE STRICTEST CONFIDENCE

SMD Soil Machine Dynamics Ltd **A3**