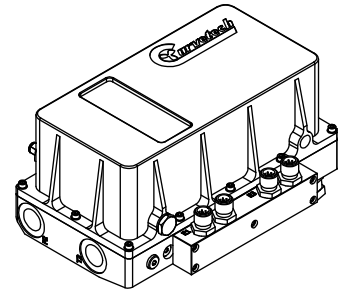
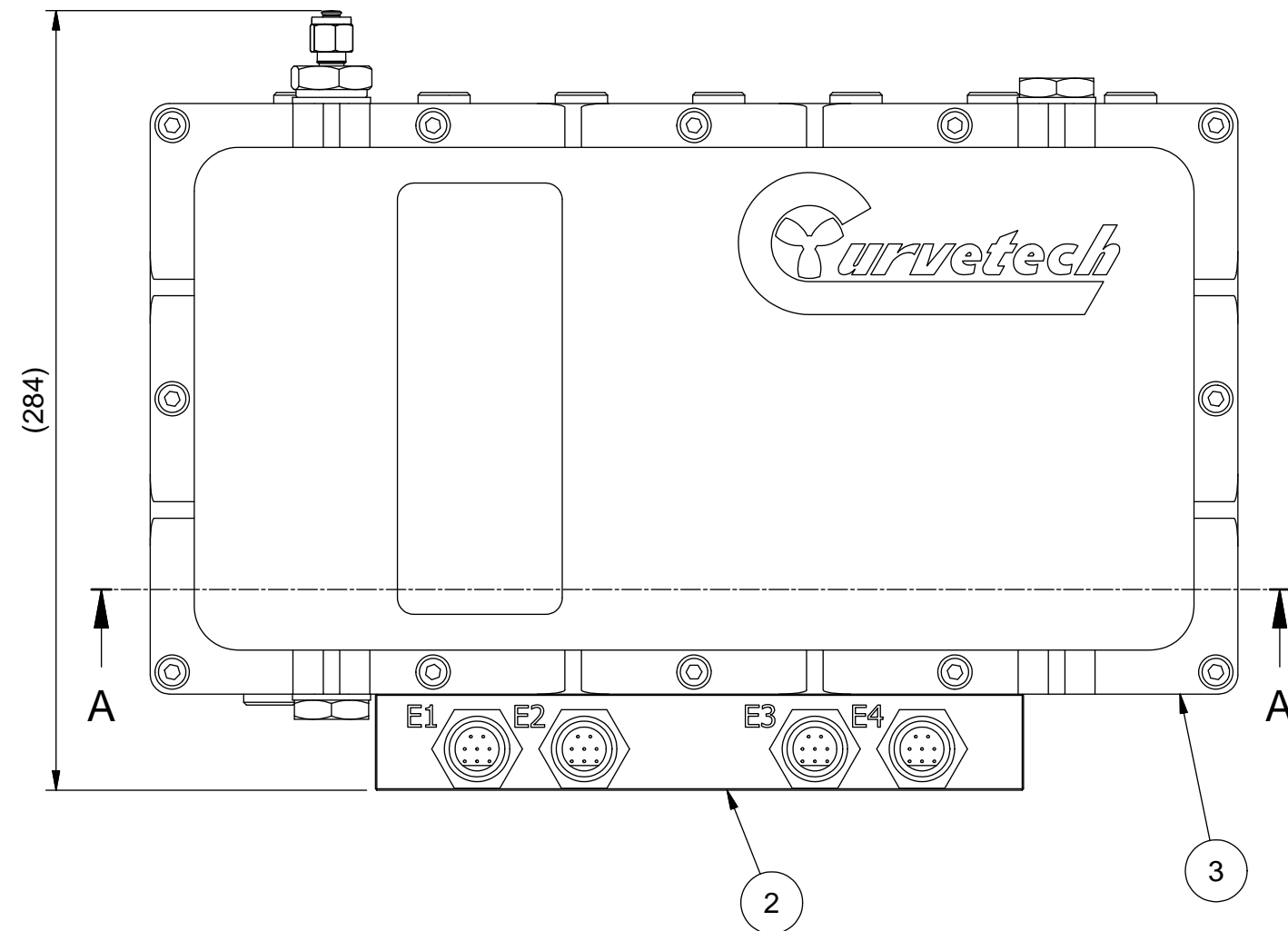


NOTES :-

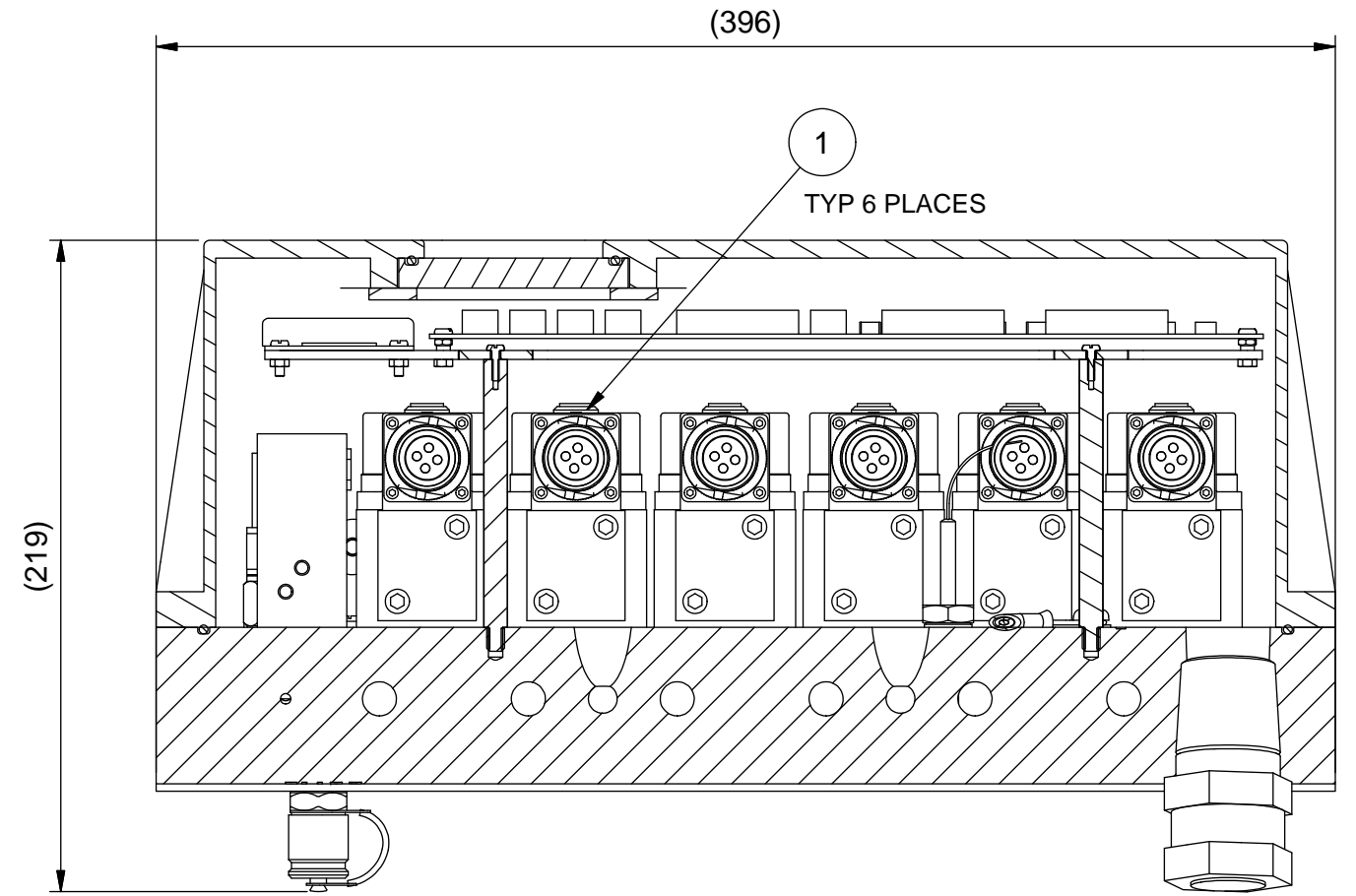
1. ASSEMBLE IN ACCORDANCE WITH SMD SPECIFICATION W100



ISOMETRIC VIEW
SCALE: 1 : 10



PARTS LIST				
ITEM	PART No	DESCRIPTION	QTY	COMMENTS
1	AG2077	ASSEMBLY VALVE SERVO 57 LPM	6	
2	AH3924	ASSEMBLY TCU ELEC. MANIFOLD	1	
3	AH3968	ASSEMBLY iTCU 6-STATION - BURTON (PUMP CONTROL)	1	
4	AH6654	DRAWING 6/7/8 STATION iTCU - BURTON (ELECTRICAL WIRING)	1	NOT SHOWN



SECTION A-A

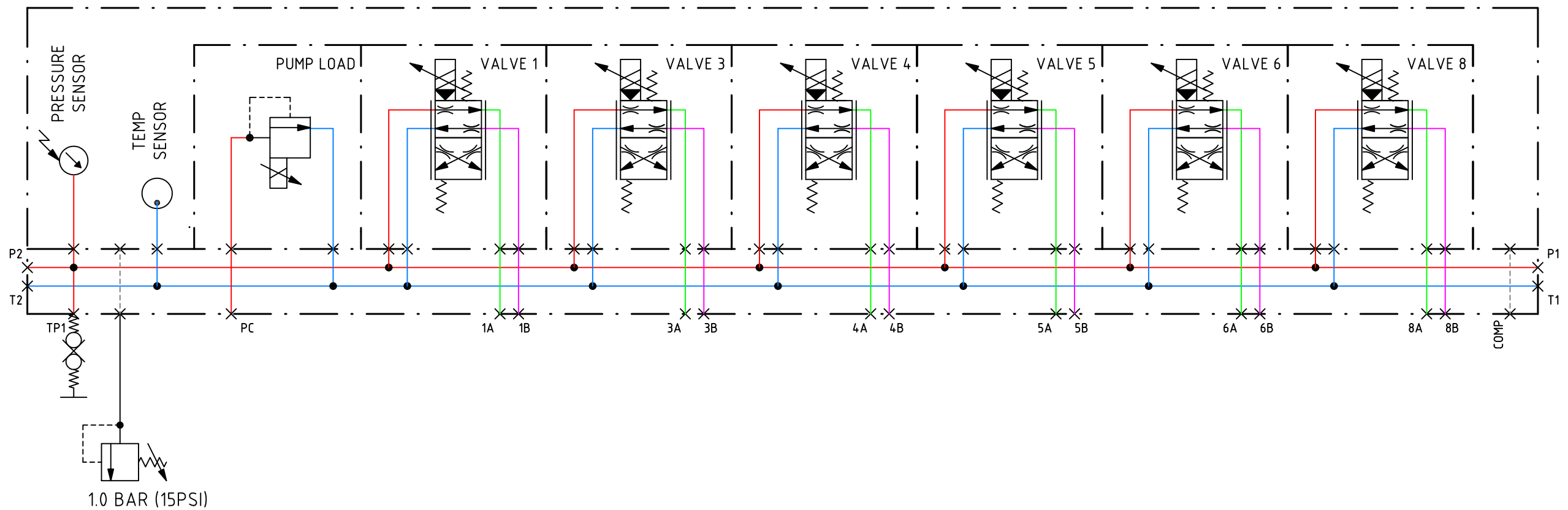
REV	DATE	CHANGE COMMENT	DRAWN	CHECKED	APPD	DATE	EST. MASS	DIMENSIONS	SCALE	PROJECTION 3RD	TITLE					
1	22 JAN 14	NEW COVER & PLUG ADDED TO LEVEL BELOW	JPG	NRC	NRC	03 DEC 13	28.4 kg	mm	1 : 2.5		ASSEMBLY ITCU 6-STATION - BURTON (PUMP CONTROL)					
2	11 FEB 14	ELEC/HYD SCHEMATIC DRAWING ADDED	JPG	NRC	NRC	DESIGNED	DRAWN	TOLERANCES UNLESS OTHERWISE STATED								
3	10 APR 14	SHEET 2 - HYD CIRCUIT ADDED	PIB	JPG	JPG	PIB	TOB	DIMENSIONS mm	UP TO 100	100 TO 300		300 TO 1000	OVER 1000	MATERIAL:- N/A		
						CHECKED	APPROVED	FABRICATION	± 1.0	± 1.5	± 2.0	± 3.0	DO NOT SCALE	DRAWING No	REV No.	SIZE
						KC	NRC	MACHINED PART	± 0.15	± 0.4	± 0.8	± 1.0	IF IN DOUBT ASK	AH4324	3	A3

ALL INTELLECTUAL PROPERTY RIGHTS SUBSISTING IN THESE DESIGNS ARE THE PROPERTY OF SOIL MACHINE DYNAMICS LTD. NO COPY IS TO BE MADE WITHOUT THE WRITTEN PERMISSION OF SOIL MACHINE DYNAMICS LTD. ANY PATENT APPLICATIONS, PATENTS AND / OR DESIGN APPLICATIONS, REGISTERED DESIGNS, DESIGN RIGHTS OR COPYRIGHT ARISING FROM OR CONTAINED IN THE DESIGNS ARE THE PROPERTY OF SOIL MACHINE DYNAMICS LTD. AND ALL INFORMATION MUST BE HELD IN THE STRICTEST CONFIDENCE.

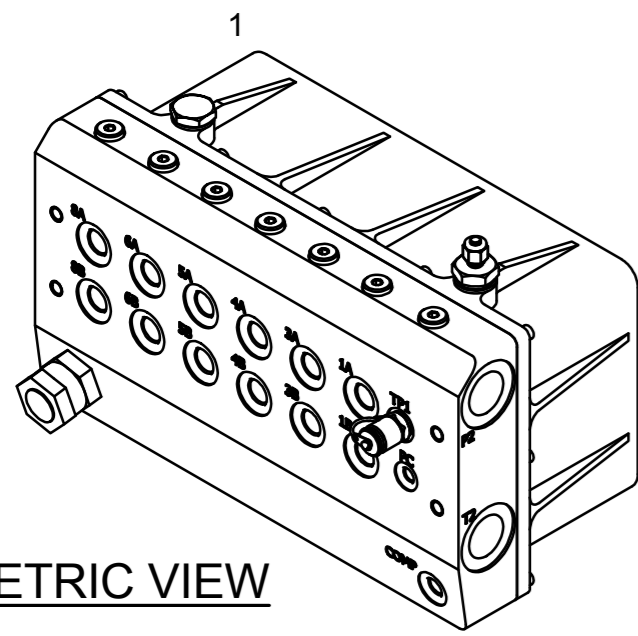


Soil Machine Dynamics Ltd

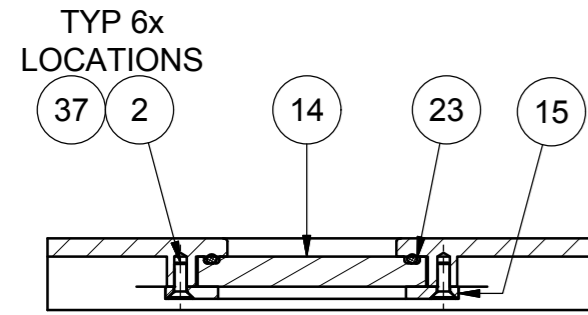
SHEET 1 OF 2



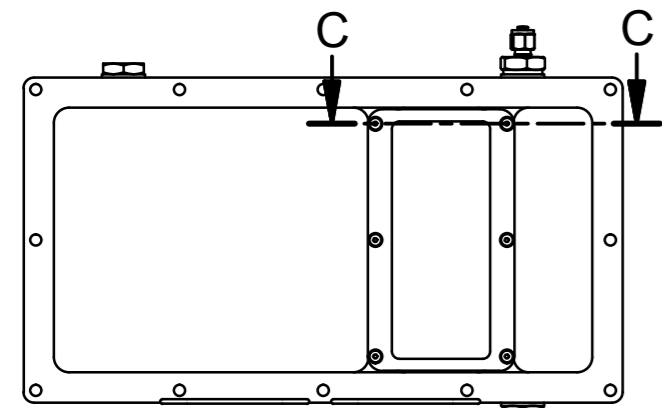
REV No	DATE	CHANGE	DRAWN	CHECK	APPD	DATE	EST. MASS	DIMENSIONS	SCALE	PROJECTION 3RD	TITLE				
1	22 JAN 14	SEE SHEET 1	-	-	NRC	09/04/14	N/A	mm	N/A		ASSEMBLY iTCU 6-STATION - BURTON (PUMP CONTROL)				
2	11 FEB 14	SEE SHEET 1	-	-	NRC										
3	10 APR 14	SHEET 2 ADDED	JPG	DAL	DAL						MATERIAL:- N/A				
						DESIGNED	DRAWN	TOLERANCES UNLESS OTHERWISE STATED				DO NOT SCALE IF IN DOUBT ASK			
						JPG	JPG	DIMENSION mm	UP TO 100	100 TO 300	300 TO 1000		OVER 1000		
						CHECKED	APPROVED	FABRICATION	± 1.0	± 1.5	± 2.0	± 3.0	DRAWING NO.	REV NO.	SIZE
						DAL	DAL	MACHINED PART	± 0.15	± 0.4	± 0.8	± 1.0	AH4324	3	A3
ALL INTELLECTUAL PROPERTY RIGHTS SUBSISTING IN THESE DESIGNS ARE THE PROPERTY OF SOIL MACHINE DYNAMICS LTD. NO COPY IS TO BE MADE WITHOUT THE WRITTEN PERMISSION OF SOIL MACHINE DYNAMICS LTD. ANY PATENT APPLICATIONS, PATENTS AND/OR DESIGN APPLICATIONS, REGISTERED DESIGNS, DESIGN RIGHTS OR COPYRIGHT ARISING FROM OR CONTAINED IN THE DESIGNS ARE THE PROPERTY OF SOIL MACHINE DYNAMICS LTD AND ALL INFORMATION MUST BE HELD IN THE STRICTEST CONFIDENCE.												SHEET 2 OF 2			



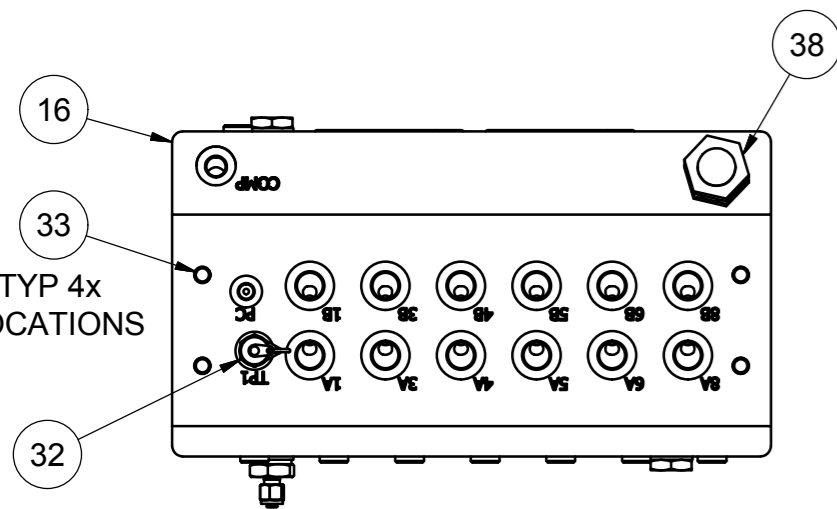
ISOMETRIC VIEW



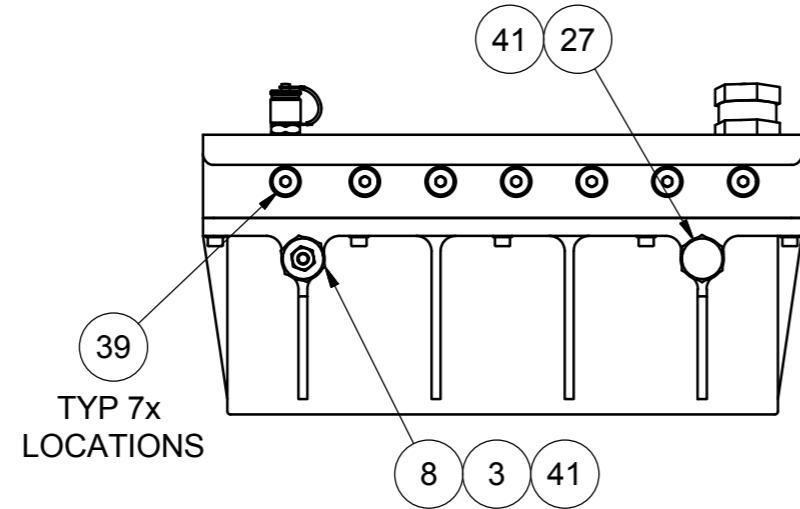
PARTIAL SECTION C-C
SCALE: 1 : 2.5



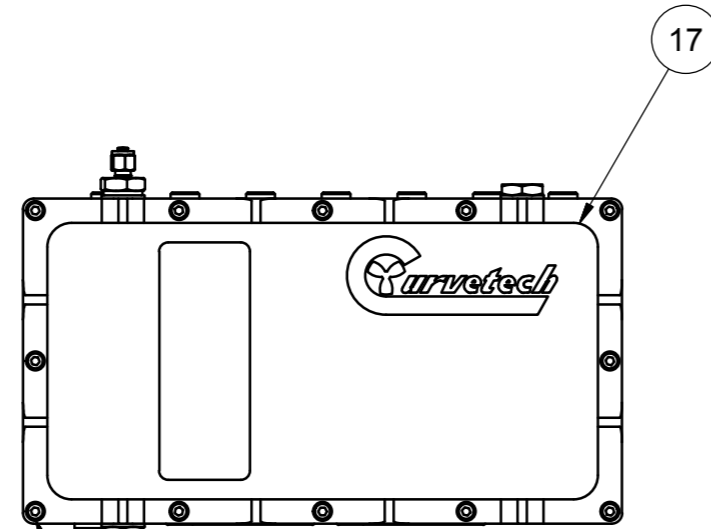
VIEW ON INSIDE OF COVER



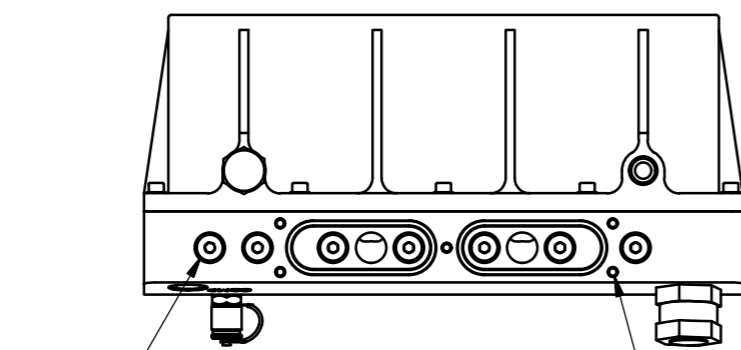
VIEW ON A



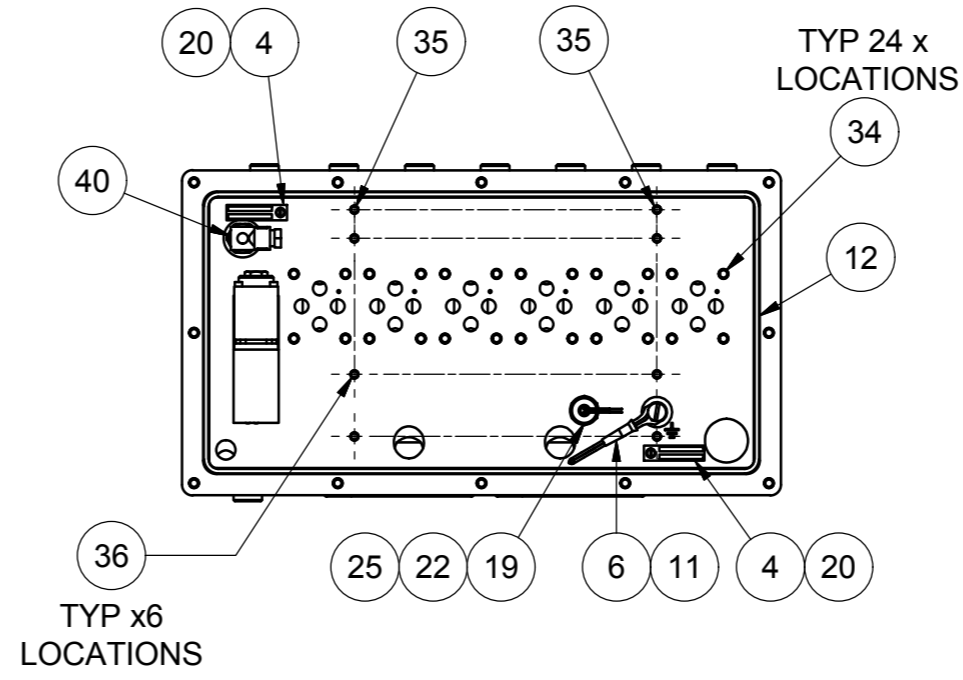
TYP 7x LOCATIONS



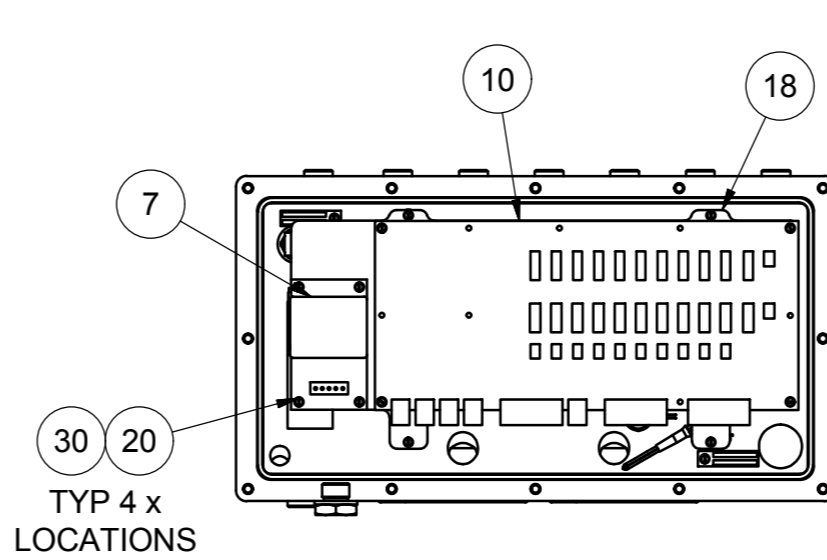
TYP 12x LOCATIONS



TYP 7x LOCATIONS
TYP 5x LOCATIONS

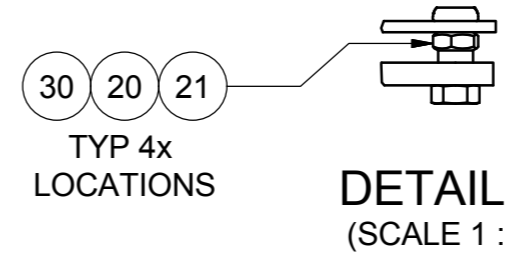


HOUSING & PCB OMITTED FROM VIEW TO SHOW INTERNALS

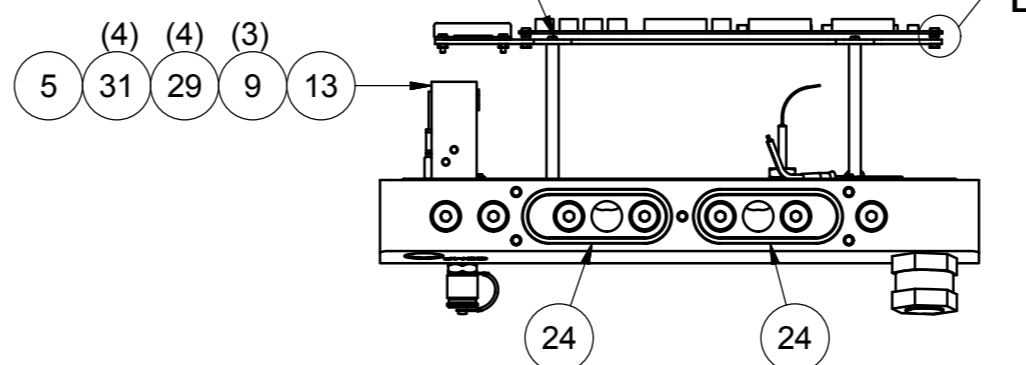


TYP 4x LOCATIONS

TYP 4x LOCATIONS



DETAIL B
(SCALE 1 : 1)



HOUSING OMITTED FROM ABOVE VIEWS TO SHOW PCB & FIXINGS

NOTES :-

1. ASSEMBLE IN ACCORDANCE WITH SMD SPECIFICATION W100.

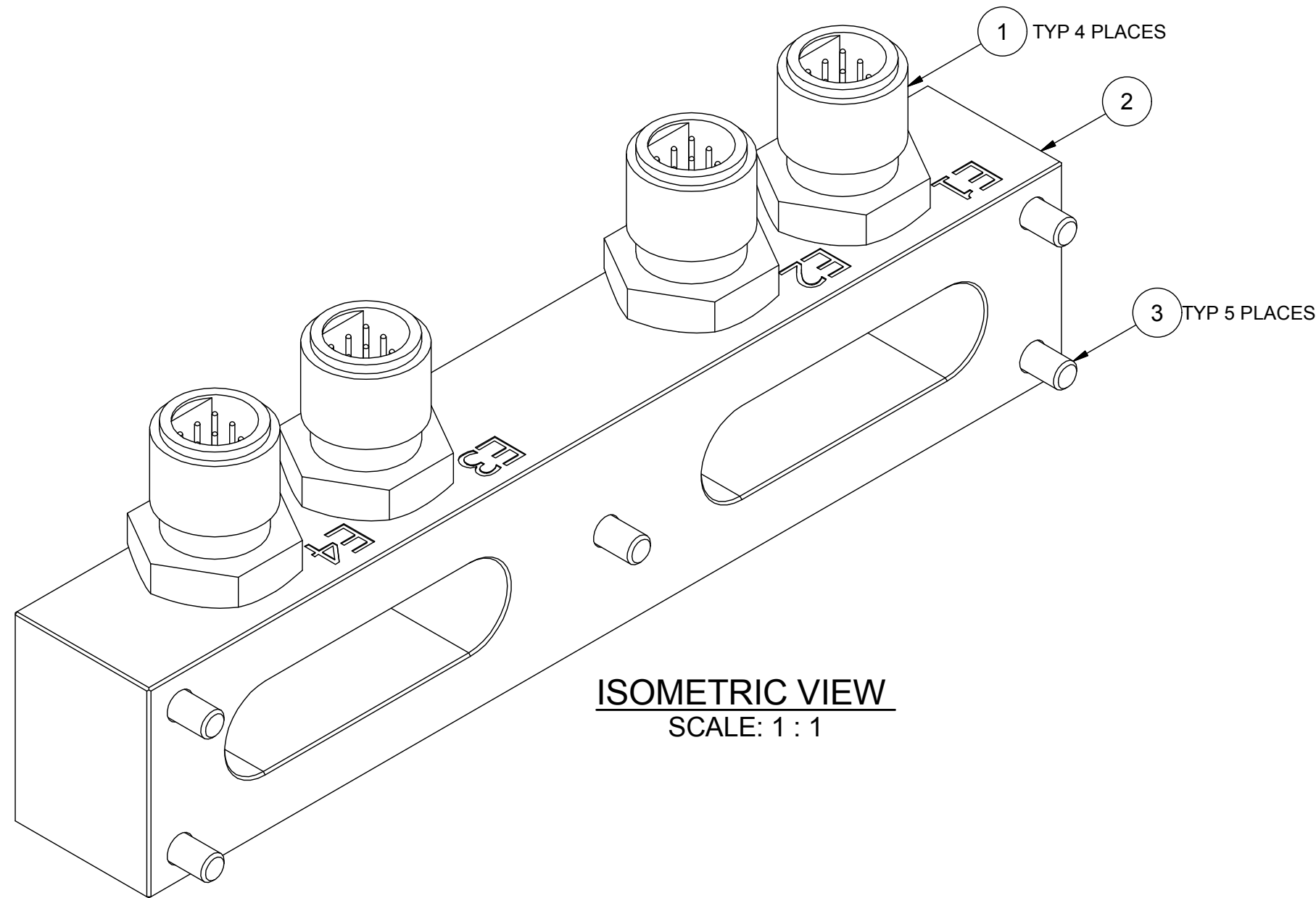
PARTS LIST			
ITEM	PART No	DESCRIPTION	QTY
1	AA1582	STANDOFF - TCU PCB	4
2	AA2745	BOLT M4 x 12 SKT CSK HD SS A2-70	6
3	AA3195	FITTING PLUG 1/4" SS A4 - SWAGelok SS-400-P	1
4	AA9979	PCB WATER INGRESS SENSOR	2
5	AB0664	VALVE PROP PRESSURE RELIEF	1
6	AB0941	CABLE ACC RING CRIMP RED M6	1
7	AB7520	PCB BOARD PSU 24 - +12	1
8	AC0834	CONNECTOR MALE 1/2"BSP - 1/4" TUBE	1
9	AC6186	BOLT M4 x 30 SHCS GR8.8	3
10	AD6358	PCB MULTIFUNCTION TCU CONTROLLER (HI-RES)	1
11	AE1504	BOLT M6 x 8 SLTD PAN HD SS A2-70	1
12	AE4494	O RING CORD 3mm	1
13	AF2275	MANIFOLD PROP PRESS RELIEF VALVE	1
14	AG5443	PLATE COVER SIGHT GLASS	1
15	AG5444	PLATE WINDOW RETAINER	1
16	AH3925	MANIFOLD 6 STATION SERVO TCU	1
17	AH4305	COVER VALVE PACK 6 STATION TCU	1
18	AH5781	PLATE PCB MOUNT TCU	1
19	DI_3412	TEMPERATURE WELL	1
20	HRS1758065	BOLT M3 x 12 PAN HD SS	14
21	OC_30091	NUT M3 NYLOC SS A2-70	4
22	OC_9301	TEMPERATURE PROBE PT100	1
23	OR_1040	O RING CORD 3mm	1
24	OR_1214	SEAL O RING 0695-30	2
25	OW_1028	BONDED SEAL 1/8"BSPP SS	1
26	PA0546	WASHER M6 FLAT BS4320 FORM B SS A2	12
27	PB1126	FITTING PLUG 1/2" BSP HEX SS	2
28	PB9266	BOLT M6 x 20 SHCS SS A2-70	12
29	PC1130	BLANK KOENIG 5mm SS	4
30	PC7718	NUT M3 SS	8
31	PC8773	O' RING 4 x 1.5 GERMAN METRIC	4
32	PD3852	TEST POINT 1/4" BSP SS	1
33	PD5639	HELICOIL INSERT M10 x 1.5D SS	4
34	PD5645	INSERT HELICOIL M6 x 1.5D SS	41
35	PD5647	INSERT HELICOIL M5 x 1D SS	2
36	PD5648	INSERT HELICOIL M5 x 1.5D SS	6
37	PD5953	HELICOIL INSERT M4x 1.5D SS	6
38	PF4529	VALVE RELIEF 15psi (1"NPT)	1
39	PJ8945	FITTING PLUG 1/4"BSP VSR SS	14
40	PK4444	PRESSURE SENSOR 0-400 bar 4-20mA	1
41	WA1079	SEAL BONDED 1/2"BSP SS-1.4436 (316S33) SELF CENTERING NBR90	3

REV	DATE	CHANGE COMMENT	ZONE	DRAWN	CHECKED	APPD	DATE	EST. MASS	DIMENSIONS	SCALE	PROJECTION 3RD	TITLE																																		
1	22 JAN 14	PLUG ADDED TO UNDER SIDE OF COVER.	E1	JPG	NRC	NRC	03 DEC 13	16.3 kg	mm	1:5		ASSEMBLY ITCU 6-STATION - (PUMP CONTROL)																																		
2	15 MAY 14	TITLE CHANGE - THE WORD 'BURTON' REMOVED	N/A	LO	DAL	DAL																																								
<table border="1"> <tr> <td>DESIGNED</td> <td>DRAWN</td> <td colspan="4">TOLERANCES UNLESS OTHERWISE STATED</td> <td rowspan="2">MATERIAL:- N/A</td> <td rowspan="2">DO NOT SCALE IF IN DOUBT ASK</td> <td rowspan="2">DRAWING No</td> <td rowspan="2">REV No.</td> <td rowspan="2">SIZE</td> </tr> <tr> <td>PIB</td> <td>TOB</td> <td>DIMENSIONS mm</td> <td>UP TO 100</td> <td>100 TO 300</td> <td>300 TO 1000</td> <td>OVER 1000</td> </tr> <tr> <td>CHECKED</td> <td>APPROVED</td> <td>FABRICATION</td> <td>± 1.0</td> <td>± 1.5</td> <td>± 2.0</td> <td>± 3.0</td> <td rowspan="2">AH3968</td> <td rowspan="2">2</td> <td rowspan="2">A2</td> </tr> <tr> <td>KC</td> <td>NRC</td> <td>MACHINED PART</td> <td>± 0.15</td> <td>± 0.4</td> <td>± 0.8</td> <td>± 1.0</td> </tr> </table>												DESIGNED	DRAWN	TOLERANCES UNLESS OTHERWISE STATED				MATERIAL:- N/A	DO NOT SCALE IF IN DOUBT ASK	DRAWING No	REV No.	SIZE	PIB	TOB	DIMENSIONS mm	UP TO 100	100 TO 300	300 TO 1000	OVER 1000	CHECKED	APPROVED	FABRICATION	± 1.0	± 1.5	± 2.0	± 3.0	AH3968	2	A2	KC	NRC	MACHINED PART	± 0.15	± 0.4	± 0.8	± 1.0
DESIGNED	DRAWN	TOLERANCES UNLESS OTHERWISE STATED				MATERIAL:- N/A	DO NOT SCALE IF IN DOUBT ASK	DRAWING No	REV No.	SIZE																																				
PIB	TOB	DIMENSIONS mm	UP TO 100	100 TO 300	300 TO 1000						OVER 1000																																			
CHECKED	APPROVED	FABRICATION	± 1.0	± 1.5	± 2.0	± 3.0	AH3968	2	A2																																					
KC	NRC	MACHINED PART	± 0.15	± 0.4	± 0.8	± 1.0																																								
<p>ALL INTELLECTUAL PROPERTY RIGHTS SUBSISTING IN THESE DESIGNS ARE THE PROPERTY OF SOIL MACHINE DYNAMICS LTD. NO COPY IS TO BE MADE WITHOUT THE WRITTEN PERMISSION OF SOIL MACHINE DYNAMICS LTD. ANY PATENT APPLICATIONS, PATENTS AND / OR DESIGN APPLICATIONS, REGISTERED DESIGNS, DESIGN RIGHTS OR COPYRIGHT ARISING FROM OR CONTAINED IN THE DESIGNS ARE THE PROPERTY OF SOIL MACHINE DYNAMICS LTD. AND ALL INFORMATION MUST BE HELD IN THE STRICTEST CONFIDENCE.</p> <p>SMD Soil Machine Dynamics Ltd</p> <p>SHEET 1 OF 1</p>																																														

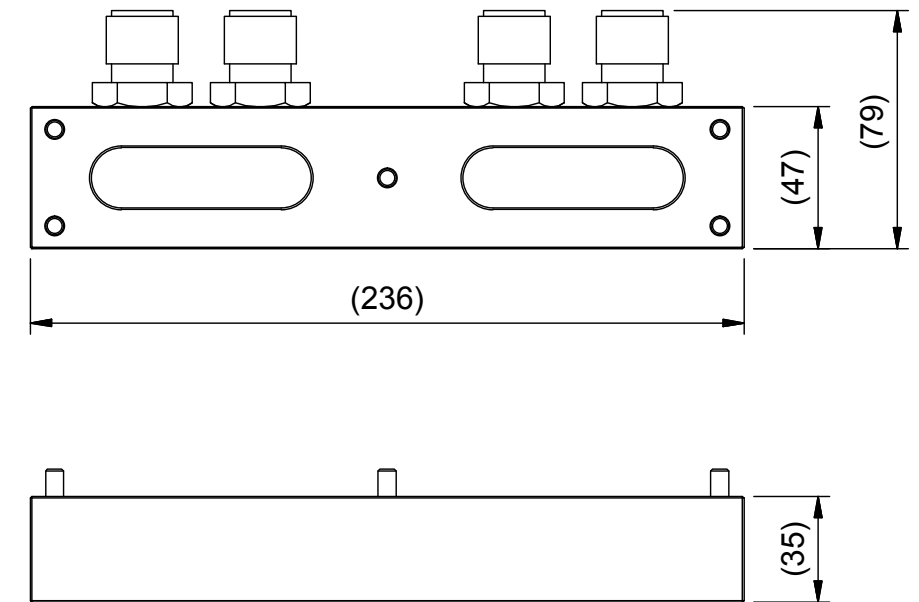
NOTES :-

1. ASSEMBLE IN ACCORDANCE WITH SMD SPECIFICATION W100

PARTS LIST			
ITEM	PART No	DESCRIPTION	QTY
1	AB0656	CONNECTOR 8 PIN BCR BURTON SS / 5507-1508-0004-PE	4
2	AH3923	MANIFOLD TCU ELEC	1
3	PB4770	BOLT M6 X 35 SHCS SS A2-70	5



ISOMETRIC VIEW
SCALE: 1 : 1



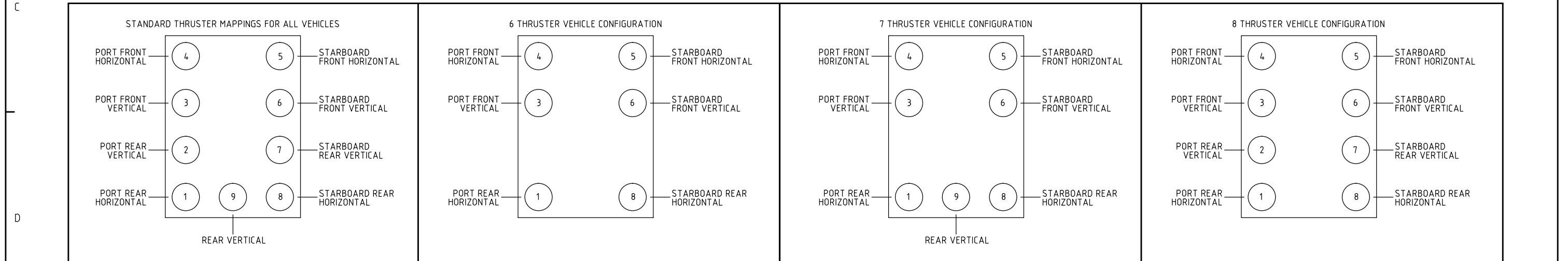
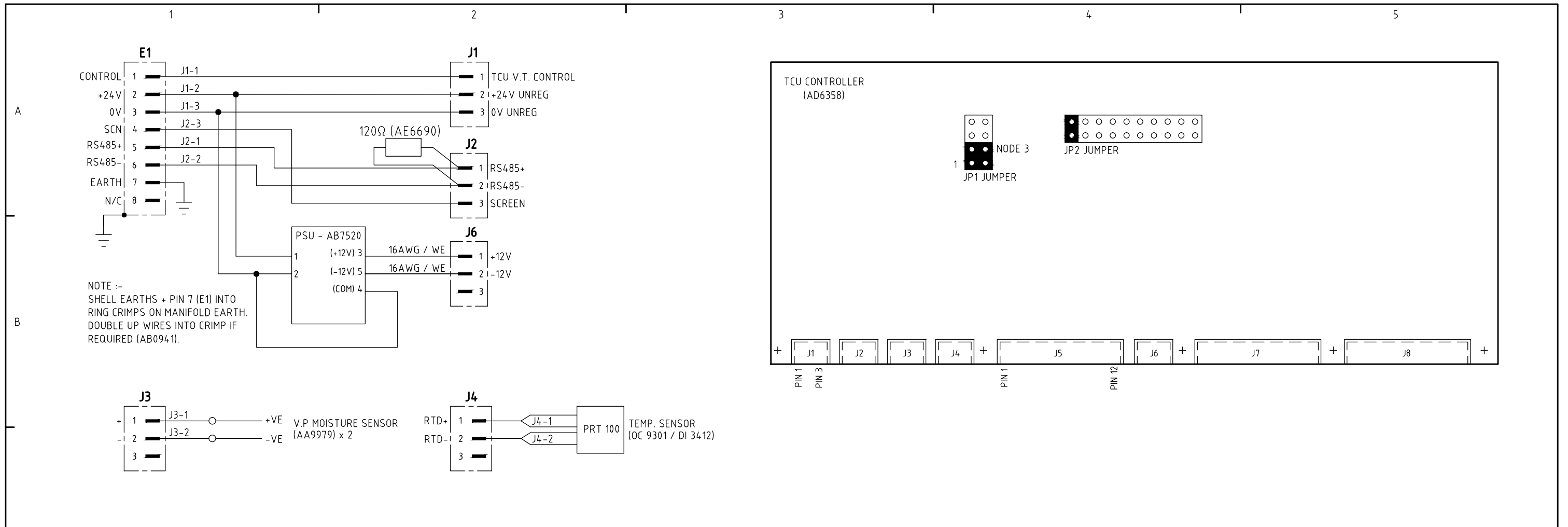
OVERALL DIMS

RELEASED FOR MANUFACTURE

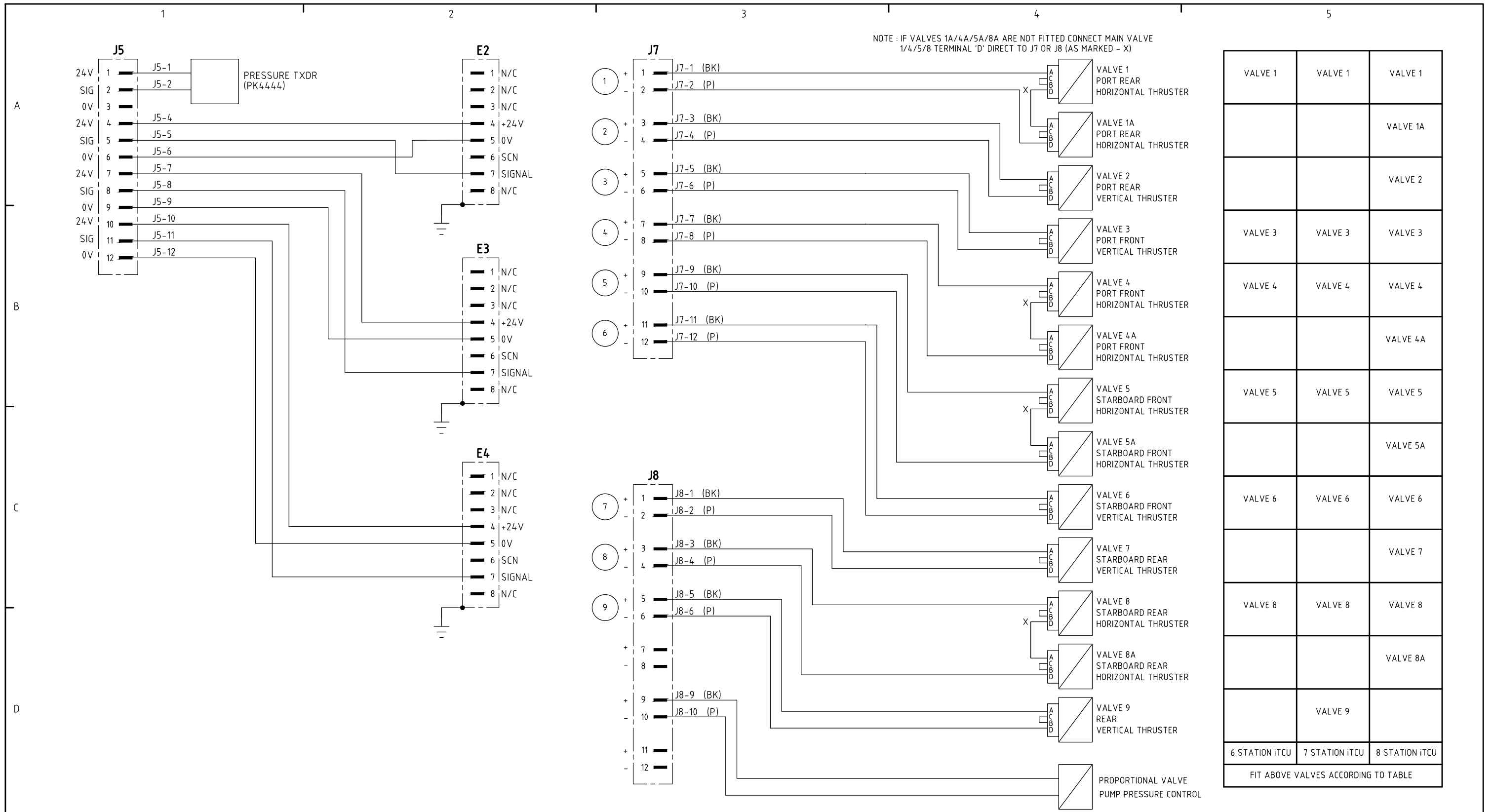
REV	DATE	CHANGE COMMENT	DRAWN	CHECKED	APPD	DATE	EST. MASS	DIMENSIONS	SCALE	PROJECTION 3RD	TITLE			
						30/JUL/13	0.8 kg	mm	1:2.5		ASSEMBLY TCU ELEC. MANIFOLD			
						DESIGNED: PIB, DRAWN: TOB, TOLERANCES UNLESS OTHERWISE STATED								
						CHECKED: NRC, APPROVED: NRC, FABRICATION: ± 1.0, MACHINED PART: ± 0.15, UP TO 100: ± 1.0, 100 TO 300: ± 1.5, 300 TO 1000: ± 2.0, OVER 1000: ± 3.0, MATERIAL:- N/A								
											DO NOT SCALE IF IN DOUBT ASK	DRAWING No	REV No.	SIZE
												AH3924	0	A3
											SHEET 1 OF 1			

ALL INTELLECTUAL PROPERTY RIGHTS SUBSISTING IN THESE DESIGNS ARE THE PROPERTY OF SOIL MACHINE DYNAMICS LTD. NO COPY IS TO BE MADE WITHOUT THE WRITTEN PERMISSION OF SOIL MACHINE DYNAMICS LTD. ANY PATENT APPLICATIONS, PATENTS AND / OR DESIGN APPLICATIONS, REGISTERED DESIGNS, DESIGN RIGHTS OR COPYRIGHT ARISING FROM OR CONTAINED IN THE DESIGNS ARE THE PROPERTY OF SOIL MACHINE DYNAMICS LTD. AND ALL INFORMATION MUST BE HELD IN THE STRICTEST CONFIDENCE.





REV No	DATE	CHANGE	ZONE	DRAWN	CHECKED	APPROVED	TITLE						
1	10 APR 14	RE-DRAWN AS UNIVERSAL WIRING FOR ALL iTCU VARIANTS	N/A	PDW	KS	JPG	DRAWING 6/7/8 STATION iTCU (ELECTRICAL WIRING)						
2	15-MAY-14	REMOVED "BURTON" FROM TITLE	N/A	JGC	PWD	PDW							
							DESIGNED	DRAWN	CHECKED	APPROVED	DATE	DRAWING NO.	REV No.
							P.D.W.	P.D.W.	KS	JPG	10 APR 14	AH6654	2
							SHEET 1 OF 2						
ALL INTELLECTUAL PROPERTY RIGHTS SUBSISTING IN THESE DESIGNS ARE THE PROPERTY OF SOIL MACHINE DYNAMICS LTD. NO COPY IS TO BE MADE WITHOUT THE WRITTEN PERMISSION OF SOIL MACHINE DYNAMICS LTD. ANY PATENT APPLICATIONS, PATENTS AND/OR DESIGN APPLICATIONS, REGISTERED DESIGNS, DESIGN RIGHTS OR COPYRIGHT ARISING FROM OR CONTAINED IN THE DESIGNS ARE THE PROPERTY OF SOIL MACHINE DYNAMICS LTD AND ALL INFORMATION MUST BE HELD IN THE STRICTEST CONFIDENCE							Soil Machine Dynamics Ltd					A3	



REV No	DATE	CHANGE	ZONE	DRAWN	CHECKED	APPROVED
1	10 APR 14	RE-DRAWN AS UNIVERSAL WIRING FOR ALL iTCU VARIANTS	N/A	PDW	KS	JPG
2	15-MAY-14	REMOVED "BURTON" FROM TITLE	N/A	JGC	PWD	PDW

TITLE							DRAWING 6/7/8 STATION iTCU (ELECTRICAL WIRING)		
DESIGNED	DRAWN	CHECKED	APPROVED	DATE	DRAWING NO.				
P.D.W.	P.D.W.	KS	JPG	10 APR 14	AH6654		2		
							SHEET 2 OF 2		

ALL INTELLECTUAL PROPERTY RIGHTS SUBSISTING IN THESE DESIGNS ARE THE PROPERTY OF SOIL MACHINE DYNAMICS LTD. NO COPY IS TO BE MADE WITHOUT THE WRITTEN PERMISSION OF SOIL MACHINE DYNAMICS LTD. ANY PATENT APPLICATIONS, PATENTS AND/OR DESIGN APPLICATIONS, REGISTERED DESIGNS, DESIGN RIGHTS OR COPYRIGHT ARISING FROM OR CONTAINED IN THE DESIGNS ARE THE PROPERTY OF SOIL MACHINE DYNAMICS LTD AND ALL INFORMATION MUST BE HELD IN THE STRICTEST CONFIDENCE

SMD Soil Machine Dynamics Ltd **A3**