



12Te SWL AXIAL UMBILICAL WINCH

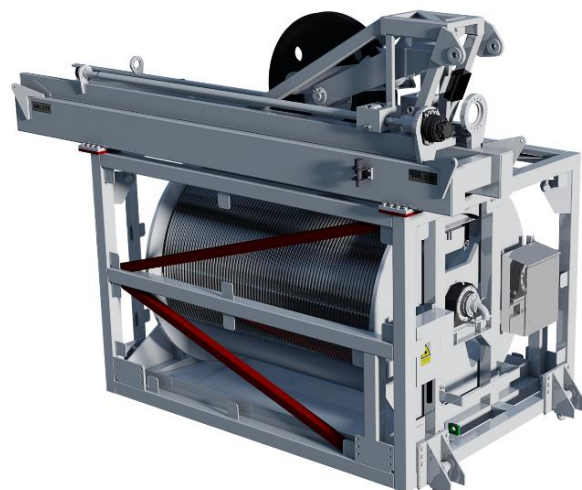
GENERAL	
Typical Application	ROV LARS
Design	Lloyds
Environment	Safe Area
Weight	
Standard (Empty Drum)	23Te
Operating Temperature	
Standard	-10°C to +45°C
Deck Mounting	
Deck Mount Points	4
Mount Configuration	Bolted plate, welded to deck
Padeyes	
Main Lift	4-point to DNV 2.7-3 with sling set

DIMENSIONS	
Extremities	
Length (across drum)	4800mm
Width	2890mm
Height (includes fleeting)	4200mm
Drum (Lebus Shell)	
Length (Between flanges)	2900mm
Core Diameter	1800mm
Flange Diameter	2530mm

NOTES	
•	Axial fleeting system
•	Optional spray bar and canopy
•	Optional deck observation camera

PERFORMANCE	
Line Pull	
Bottom layer	14Te
Top Layer	12Te
Winch Speed	
Range	Variable to 45m/min (Depends on layer and hydraulic power available)
Umbilical capacity	
40mm (Typical)	2800m on 6 layers
Sheave	40mm umbilical and Linksyn™
Drive	
Drive	Bosch Rexroth (Hagglund) direct drive
Brake	Integral band brake
Spooling	
Fleeting Carriage	Mounted axial to the winch drum to give constant fleeting exit point
Hydraulic	
Supply (max)	280bar
Fittings	All Stainless Steel
Connection	Quick release couplings

CONTROL	
Standalone Control Console	
Controls	Pick-Up / Pay-Out
	Fleeting Left / Right
	Fleeting Auto / Manual
	Constant Tension Enable
	Constant Tension Setpoint
	Remote operation possible
Winch Instrumentation	System Pressure
	Length Out



Linksyn™ is a Trade Mark of Trelleborg Offshore